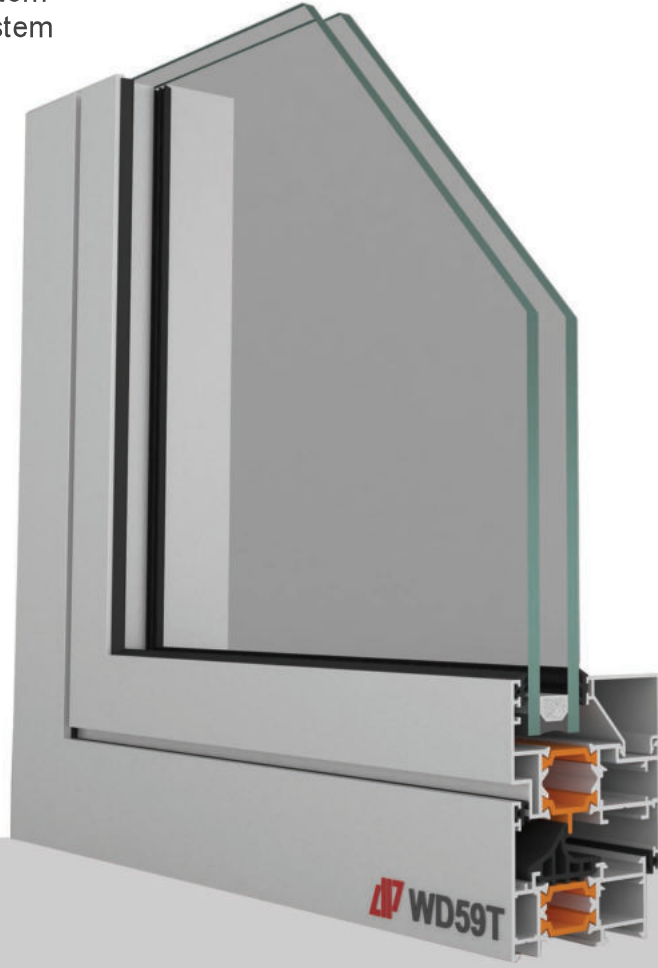
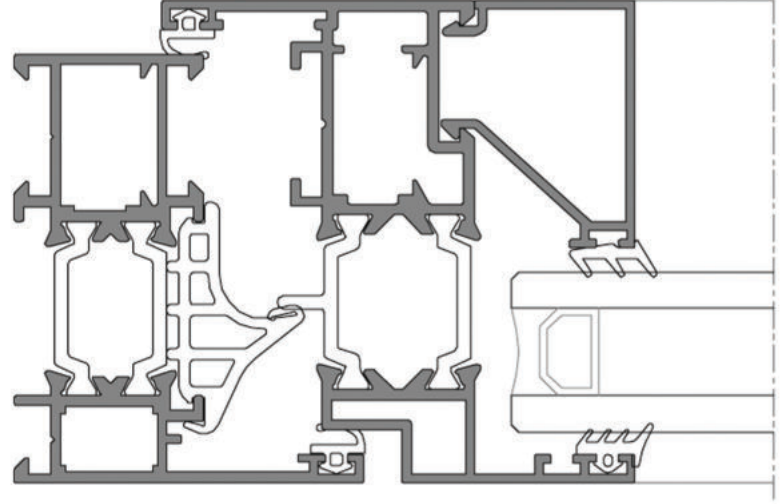
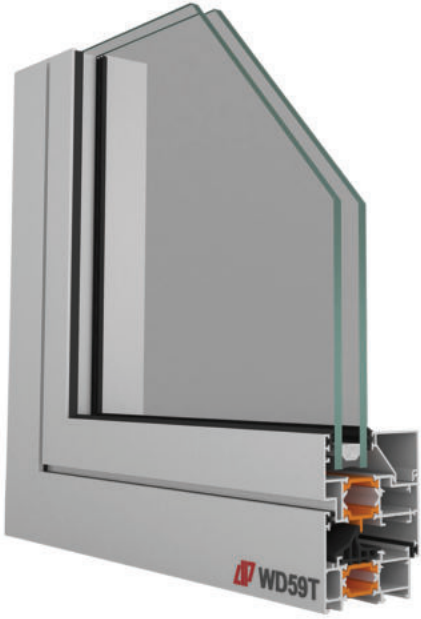




Kapı - Pencere Sistem
Door - Window System



WD59T



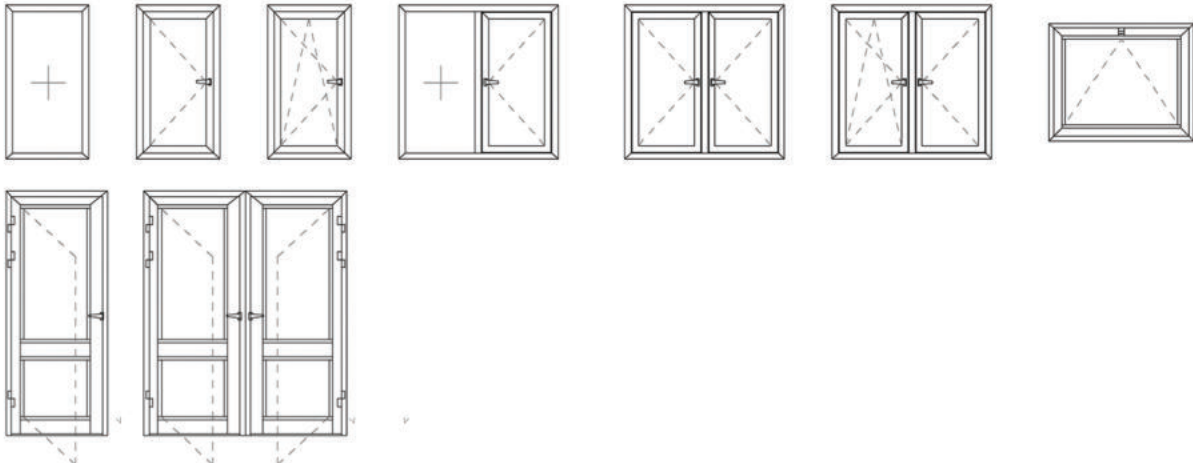
TEKNİK ÖZELLİKLER / TECHNICAL PROPERTIES

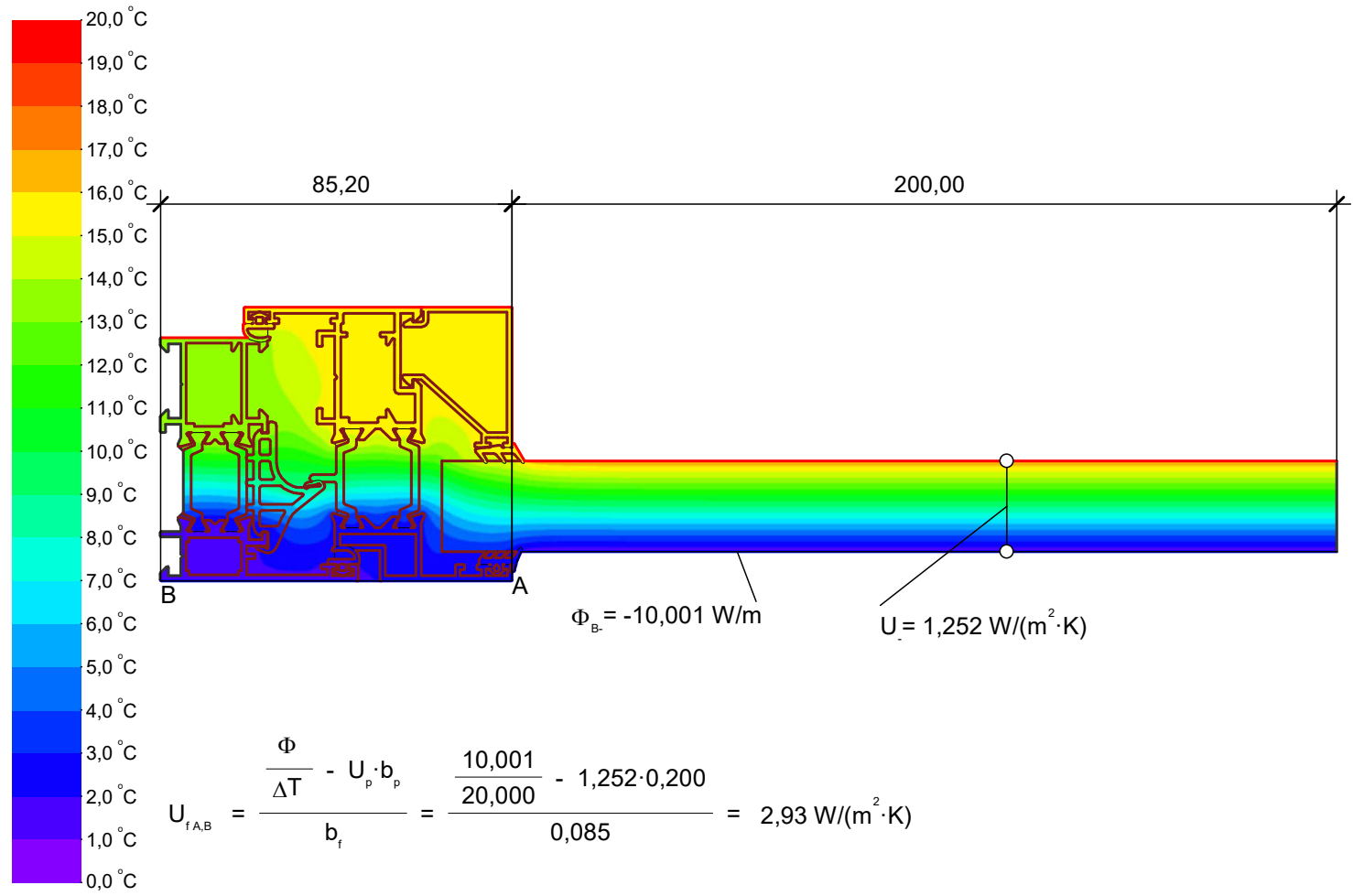
KASA DERİNLİĞİ / FRAME DEPTH	59 - 74 mm
KANAT DERİNLİĞİ / SASH DEPTH	66,4 mm
ET KALINLIĞI / WALL THICKNESS	1,3 - 1,5 mm
MAKS. CAM KALINLIĞI / MAX GLASS THICKNESS	10 mm - 42 mm
ISI BARIYER / THERMAL BREAK	24 mm

PERFORMANS DEĞERLERİ / PERFORMANCE VALUES

HAVA GEÇİRGENLİK / AIR PERMEABILITY	EN 12152 : Class4 (600PA)
SU SIZDIRMAZLIK / WATERTIGHTNESS	EN 12154 : 9A (600PA)
RÜZGAR YÜKÜ / WIND RESISTANCE	TS EN 13830: Class3 (1200PA)
ISI YALITIM DEĞERİ / THERMAL INSULATION VALUE (UF)	EN 10077-2 : 2.93 W / (m² . K)

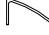


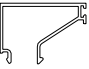
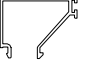

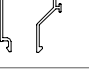















UYGULAMA SEÇENEKLERİ / APPLICATION OPTIONS

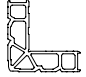









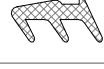
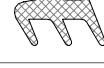
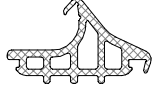

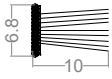
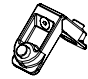

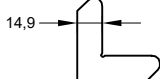
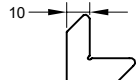
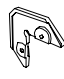
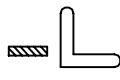
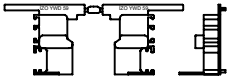
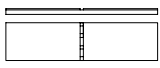
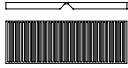





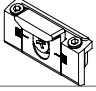

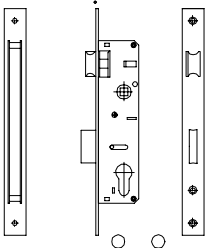
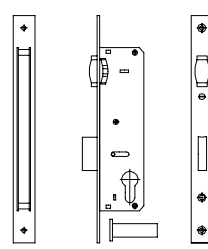
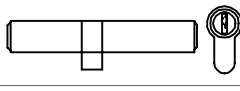


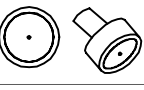
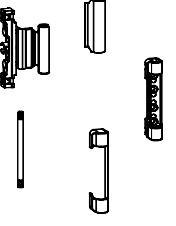
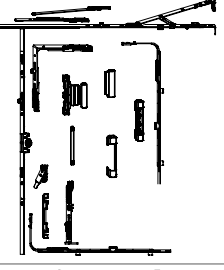
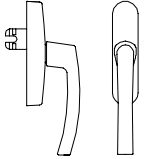

Material	λ [W/(m·K)]	ϵ	Boundary Condition	q [W/m ²]	θ [°C]	R [(m ² ·K)/W]	ϵ
Aluminium (Si Alloys)	160,000	0,900	Epsilon 0.9				0,900
EPDM (ethylene propylene diene monomer)	0,250	0,900	Exterior, frame	0,000	0,040		
Panel	0,035	0,900	Interior, normal, horizontal	20,000	0,130		
Polyamid 6.6 with 25% glass fibre	0,300	0,900	Symmetry/Model section	0,000			
Slightly ventilated air cavity	anisotropic						
Unventilated air cavity	anisotropic						

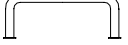
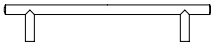
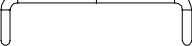
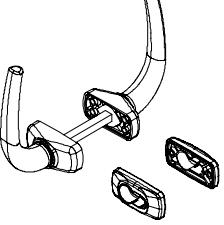
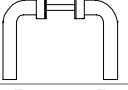

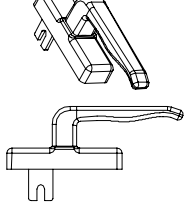
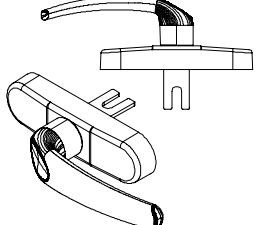
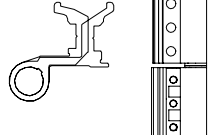
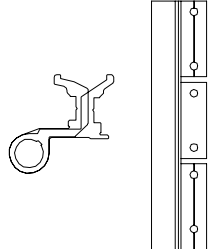
PROFİL KESİTİ PROFILE SECTION	PROFİL KODU PROFILE CODE	PROFİL ADI PROFILE NAME	Jx cm ⁴	Jy cm ⁴	AĞIRLIK (kg/m) WEIGHT
	59-641-642	KASA PROFİLİ FRAME PROFILE	15,93 cm ⁴	4,72 cm ⁴	1,080 kg/m
	59-13157-13158	KASA PROFİLİ FRAME PROFILE	16,39 cm ⁴	4,73 cm ⁴	1,116 kg/m
	59-641-645	KASA PROFİLİ FRAME PROFILE	20,72 cm ⁴	5,83 cm ⁴	1,166 kg/m
	59-643-644	KASA PROFİLİ FRAME PROFILE	18,77 cm ⁴	9,52 cm ⁴	1,253 kg/m
	59-643-646	KASA PROFİLİ FRAME PROFILE	24,17 cm ⁴	11,19 cm ⁴	1,352 kg/m
	59-638-642	KASA PROFİLİ FRAME PROFILE	24,98 cm ⁴	10,76 cm ⁴	1,277 kg/m
	59-638-645	KASA PROFİLİ FRAME PROFILE	34,12 cm ⁴	12,45 cm ⁴	1,362 kg/m
	59-655-656	ORTA KAYIT PROFİLİ MULLION PROFILE	18,36 cm ⁴	7,44 cm ⁴	1,205 kg/m
	59-657-658	ORTA KAYIT PROFİLİ MULLION PROFILE	22,02 cm ⁴	13,59 cm ⁴	1,431 kg/m
	59-657-603	ORTA KAYIT PROFİLİ MULLION PROFILE	23,05 cm ⁴	13,86 cm ⁴	1,522 kg/m
	59-659-660	ORTA KAYIT PROFİLİ MULLION PROFILE	39,12 cm ⁴	99,20 cm ⁴	2,376 kg/m
	59-659-604	ORTA KAYIT PROFİLİ MULLION PROFILE	40,21 cm ⁴	102,69 cm ⁴	2,461 kg/m
	59-647-648	KANAT PROFİLİ SASH PROFILE	23,39 cm ⁴	7,33 cm ⁴	1,220 kg/m
	59-13161-648	KANAT PROFİLİ SASH PROFILE	25,00 cm ⁴	7,51 cm ⁴	1,320 kg/m
	59-13159-13160	PVC KANALLI KANAT PROFİLİ PVC GROOVED SASH PROFILE	39,94 cm ⁴	11,82 cm ⁴	1,497 kg/m
	59-649-650	KANAT PROFİLİ SASH PROFILE	26,77 cm ⁴	13,56 cm ⁴	1,369 kg/m
	59-601-602	KANAT PROFİLİ SASH PROFILE	27,67 cm ⁴	15,77 cm ⁴	1,425 kg/m
	59-678-677	KANAT PROFİLİ SASH PROFILE	27,67 cm ⁴	15,77 cm ⁴	1,746 kg/m
	59-651-652	KANAT PROFİLİ SASH PROFILE	37,63 cm ⁴	41,65 cm ⁴	1,869 kg/m
	59-662-663	ADAPTÖR PROFİLİ ADAPTER PROFILE	18,34 cm ⁴	7,67 cm ⁴	1,220 kg/m
	59-660-661	ETEK PROFİLİ BOTTOM PROFILE	-	-	2,472 kg/m
	59-604-661	ETEK PROFİLİ BOTTOM PROFILE	-	-	2,557 kg/m

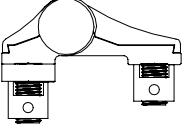
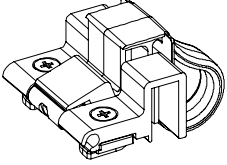
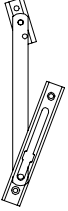
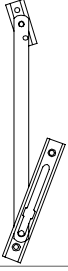
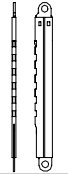

PROFİL KESİTİ PROFILE SECTION	PROFİL KODU PROFILE CODE	PROFİL ADI PROFILE NAME	Jx cm ⁴	Jy cm ⁴	AĞIRLIK (kg/m) WEIGHT
	4242	DAMLALIK PROFİLİ SILL PROFILE	-	-	0,094 kg/m
	7021	DAMLALIK PROFİLİ SILL PROFILE	-	-	0,140 kg/m
	8241	TİJ PROFİLİ STEM BAR PROFILE	-	-	0,099 kg/m
	7043	CAM ÇITASI (38 mm) GLAZING BEAD (38 mm)	-	-	0,366 kg/m
	676	CAM ÇITASI (34 mm) GLAZING BEAD (34 mm)	-	-	0,331 kg/m
	7036	CAM ÇITASI (30 mm) GLAZING BEAD (30 mm)	-	-	0,319 kg/m
	606	CAM ÇITASI (27 mm) GLAZING BEAD (27 mm)	-	-	0,299 kg/m
	792	CAM ÇITASI (26.5 mm) GLAZING BEAD (26.5 mm)	-	-	0,301 kg/m
	7023	CAM ÇITASI (24 mm) GLAZING BEAD (24 mm)	-	-	0,294 kg/m
	770	CAM ÇITASI (21.5 mm) GLAZING BEAD (21.5 mm)	-	-	0,270 kg/m
	664	CAM ÇITASI (18 mm) GLAZING BEAD (18 mm)	-	-	0,266 kg/m
	665	CAM ÇITASI (18 mm) GLAZING BEAD (18 mm)	-	-	0,253 kg/m
	791	CAM ÇITASI (14 mm) GLAZING BEAD (14 mm)	-	-	0,239 kg/m
	793	CAM ÇITASI (13.5 mm) GLAZING BEAD (13.5 mm)	-	-	0,235 kg/m
	772	CAM ÇITASI (5.7 mm) GLAZING BEAD (5.7 mm)	-	-	0,225 kg/m
	771	CAM ÇITASI (2.7 mm) GLAZING BEAD (2.7 mm)	-	-	0,165 kg/m
	153	KÖŞE ÇAVUŞ BAĞLANTI PROFİLİ CORNER CONNECTION PROFILE	-	-	0,308 kg/m
	387	KÖŞE ÇAVUŞ BAĞLANTI PROFİLİ CORNER CONNECTION PROFILE	-	-	0,970 kg/m
	388	KÖŞE ÇAVUŞ BAĞLANTI PROFİLİ CORNER CONNECTION PROFILE	-	-	1,012 kg/m
	389	KÖŞE ÇAVUŞ BAĞLANTI PROFİLİ CORNER CONNECTION PROFILE	-	-	1,338 kg/m
	5022	KÖŞE TAKOZ PROFİLİ CORNER WEDGE PROFILE	-	-	2,245 kg/m
	1664	KÖŞE TAKOZ PROFİLİ CORNER WEDGE PROFILE	-	-	3,991 kg/m

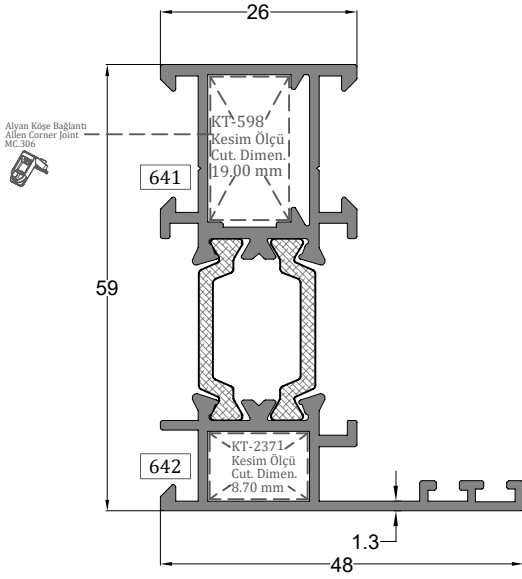
PROFİL KESİTİ PROFILE SECTION	PROFİL KODU PROFILE CODE	PROFİL ADI PROFILE NAME	$Jx \text{ cm}^4$	$Jy \text{ cm}^4$	AĞIRLIK (kg/m) WEIGHT
	3546	KÖŞE TAKOZ PROFİLİ CORNER WEDGE PROFILE	-	-	3,357 kg/m
	7040	KÖŞE TAKOZ PROFİLİ CORNER WEDGE PROFILE	-	-	3,998 kg/m
	598	KÖŞE TAKOZ PROFİLİ CORNER WEDGE PROFILE	-	-	1,677 kg/m
	597	KÖŞE TAKOZ PROFİLİ CORNER WEDGE PROFILE	-	-	4,241 kg/m
	2371	KÖŞE TAKOZ PROFİLİ CORNER WEDGE PROFILE	-	-	2,241 kg/m

AKSESUAR ACCESSORY	STOK KODU REFERENCE CODE	AKSESUAR ADI DESCRIPTION	AKSESUAR KODU PRODUCT CODE	PAKET PACK
	03 010438	KASA KANAT FİTİLİ FRAME SASH GASKET	WD59T-KBF.70	303 mt / paket 10 kg
	03 010106	DIŞ CAM FİTİLİ OUTER GLAZING GASKET	WD59T-DCF.25	240 mt / paket 10 kg
	03 011230	İÇ CAM FİTİLİ INNER GLAZING GASKET	WD59T-İCF.30	330 mt / paket 10 kg
	03 011231	İÇ CAM FİTİLİ INNER GLAZING GASKET	WD59T-İCF.40	205 mt / paket 10 kg
	03 010732	İÇ CAM FİTİLİ INNER GLAZING GASKET	WD59T-İCF.50	175 mt / paket 10 kg
	03 011036	ORTA BİNİ FİTİLİ MIDDLE GASKET	WD59T-OBF.70	40 mt / paket 10 kg
	01 150200	ALÜMİNYUM KAPI ALTI FIRÇASI ALUMINIUM DOORBASE BRUSH	WD59T-KF.200	100 ad / 1 pk
	03 050712	FIRÇA FİTİLİ (6.8 - 10 mm) WEATHER STRIP (6.8 - 10 mm)	WD59T-FÇ.712	200 mt / 1 pk
	01 130306	ALYAN KÖŞE BAĞLANTI ALLEN CORNER JOINT	WD59T-MC.306	250 ad / 1 pk
	01 130327	ALYAN KÖŞE BAĞLANTI ALLEN CORNER JOINT	WD59T-MC.327	250 ad / 1 pk
	01 120211	KÖŞE GÖNYE CORNER BRACKET	WD59T-KG.149	500 ad / 1 pk
	01 120218	KÖŞE GÖNYE CORNER BRACKET	WD59T-KG.100	1000 ad / 1 pk
	01 130314	KÖŞE ÇAVUŞU CORNER CONNECTION	WD59T-FJ.314	250 ad / 1 pk
	01 130318	KÖŞE GÖNYE CORNER BRACKET	WD59T-MO.318	250 ad / 1 pk
	01 110251	SİSTEM WD59T KANALLI ADAPTÖR KAPAĞI SYSTEM WD59T ADAPTER COVER	WD59T-ADK.251	1 tk / 1 pk
	06 140203	CAM TAKOZU (3X20X80 mm) GLAZING WEDGE (3X20X80 mm)	WD59T-CT.203	1000 ad / 1 pk
	06 140208	CAM TAKOZU (5X20X80 mm) GLAZING WEDGE (5X20X80 mm)	WD59T-CT.208	1000 ad / 1 pk
	06 140210	CAM TAKOZU (5X28X80 mm) GLAZING WEDGE (5X28X80 mm)	WD59T-CT.210	1000 ad / 1 pk
	04 010115	SABİT PERDELİ YAĞMUR TAHLİYE KAPAK WATER DRAIN COVER (FIXED)	WD59T-TK.115	1000 ad / 1 pk
	04 010112	HAREKETLİ PERDELİ YAĞMUR TAHLİYE KAPAK WATER DRAIN COVER (MOVEABLE)	WD59T-TK.112	1000 ad / 1 pk

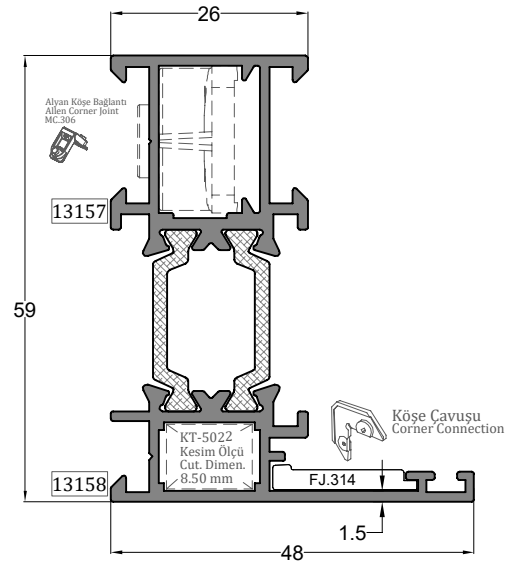
AKSESUAR ACCESSORY	STOK KODU REFERENCE CODE	AKSESUAR ADI DESCRIPTION	AKSESUAR KODU PRODUCT CODE	PAKET PACK
	01 120201	AYARLI İSPANYOLET KARŞILIĞI (SETSKURLU) ADJUSTABLE ESPAGNOLETTE STRIKER (PINNED)	WD59T-TPK.201	100 ad / 1 pk
	01 120217	PVC KANALLI İSPANYOLET KARŞILIĞI PVC GROOVE ESPAGNOLETTE STRIKER(SCREWED)	WD59T-PK.217	100 ad / 1 pk
	05 010401	153/35 mm DİLLİ KİLİT BOLT LOCK	WD59T-DK.401	30 ad / 1 pk
	05 010405	155/35 mm MAKARALI KİLİT ROLLED LOCK	WD59T-MK.405	30 ad / 1 pk
	05 011103	76 mm BAREL 76 mm CYLINDER	WD59T-BR.103	24 ad / 1 pk
	01 060210	OVAL SERİ KİLİT KARŞILIĞI (DİLLİ) OVAL SERIES LOCK STRIKER (BOLT)	WD59T-KK.210	50 ad / 1 pk
	01 060211	OVAL SERİ KİLİT KARŞILIĞI (MAKARALI) OVAL SERIES LOCK STRIKER (ROLLED)	WD59T-KK.211	50 ad / 1 pk
	01 120100	İSPANYOLET PİMİ (EURO KANAL) ESPAGNOLETTE PIN (EURO CHANNEL)	WD59T-TP.100	100 ad / 1 pk
	01 090650	PVC KANALLI TEK AÇILIM MENTEŞE TAKIMI (9/18) PVC GROOVED CASEMENT HINGE (9/18)	WD59T-PM.650	1 pk / 100 ad
	01 090680	PVC KANALLI ÇİFT AÇILIM MENTEŞE TAKIMI (9/18) PVC GROOVED TILT&TURN SET (9/18)	WD59T-PMT.680	1 pk / 100 ad
	01 020601	EKSENEL KOL ROTO (ELOKSALLI) ROTO AXIAL HANDLE (ANODIZED)	WD59T-RK.601	10 ad / 1 pk
	01 020604	EKSENEL KOL ROTO (ELOKSALLI KİLİTLİ) ROTO AXIAL HANDLE (ANODIZED LOCKED)	WD59T-RK.604	10 ad / 1 pk
	01 120210	SİSTEM KANAT KALDIRMA TAKOZU SYSTEM SASH ADJUSTING BRACKET	WD55T-KST.210	50 ad / 1 pk

AKSESUAR ACCESSORY	STOK KODU REFERENCE CODE	AKSESUAR ADI DESCRIPTION	AKSESUAR KODU PRODUCT CODE	PAKET PACK
	01 051101	U KOL (ELOKSALLI) U SHAPED HANDLE (ANODIZED)	WD59T-UK.101	10 ad / 1 pk
	01 031309	H KOL (ELOKSALLI) H SHAPED HANDLE (ANODIZED)	WD59T-HK.309	10 ad / 1 pk
	01 030401	KIVRIK KOL (ELOKSALLI) CONVOLUTED HANDLE (ANODIZED)	WD59T-VK.401	10 ad / 1 pk
	01 040902	FORZA EFOR YAYLI KAPI KOLU (BEYAZ) FORZA EFOR DOOR HANDLE (WHITE)	WD59T-FK.902	10 ad / 1 pk
	01 040903	FORZA EFOR YAYLI KAPI KOLU (RENKLİ) FORZA EFOR DOOR HANDLE (COLORED)	WD59T-FK.903	10 ad / 1 pk
	01 040904	FORZA EFOR YAYLI KAPI KOLU (NATUREL) FORZA EFOR DOOR HANDLE (NATURAL)	WD59T-FK.904	10 ad / 1 pk
	01 040104	YAYLI SOSİS KOL SPRING DOOR HANDLE	WD59T-YK.104	50 ad / 1 pk
	01 040109	YAYLI SOSİS KOL BAREL ROZETİ SPRING DOOR HANDLE CYLINDER BADGE	WD59T-BR.109	2 ad / 1 pk
	01 020810	FORZA YANKI EKSENEL PENCERE KOLU (NATUREL) FORZA YANKI AXIAL WINDOW HANDLE (NATURAL)	WD59T-EK.810	50 ad / 1 pk
	01 020811	FORZA YANKI EKSENEL PENCERE KOLU (BEYAZ) FORZA YANKI AXIAL WINDOW HANDLE (WHITE)	WD59T-EK.811	50 ad / 1 pk
	01 020812	FORZA YANKI EKSENEL PENCERE KOLU (RENKLİ) FORZA YANKI AXIAL WINDOW HANDLE (COLORED)	WD59T-EK.812	50 ad / 1 pk
	01 020702	FORZA EFOR EKSENEL PENCERE KOLU (BEYAZ) FORZA EFOR AXIAL WINDOW HANDLE (WHITE)	WD59T-FPK.702	20 ad / 1 pk
	01 020703	FORZA EFOR EKSENEL PENCERE KOLU (RENKLİ) FORZA EFOR AXIAL WINDOW HANDLE (COLORED)	WD59T-FPK.703	20 ad / 1 pk
	01 020803	FORZA EFOR EKSENEL PENCERE KOLU (NATUREL) FORZA EFOR AXIAL WINDOW HANDLE (NATURAL)	WD59T-FPK.803	20 ad / 1 pk
	01 011301	OVAL SERİ PENCERE MENTEŞE (ELOKSALLI) OVAL SERIES WINDOW HINGE (ANODIZED)	WD59T-PM.301	10 ad / 1 pk
	01 011302	OVAL SERİ PENCERE MENTEŞE (BEYAZ) OVAL SERIES WINDOW HINGE (WINDOW)	WD59T-PM.302	10 ad / 1 pk
	01 011303	OVAL SERİ PENCERE MENTEŞE (RENKLİ) OVAL SERIES WINDOW HINGE (COLORED)	WD59T-PM.303	10 ad / 1 pk
	01 011601	OVAL SERİ KAPI MENTEŞE (ELOKSALLI) OVAL SERIES DOOR HINGE (ANODIZED)	WD59T-PM.601	10 ad / 1 pk
	01 011602	OVAL SERİ KAPI MENTEŞE (BEYAZ) OVAL SERIES DOOR HINGE (WHITE)	WD59T-PM.602	10 ad / 1 pk
	01 011603	OVAL SERİ KAPI MENTEŞE (RENKLİ) OVAL SERIES DOOR HINGE (COLORED)	WD59T-PM.603	10 ad / 1 pk

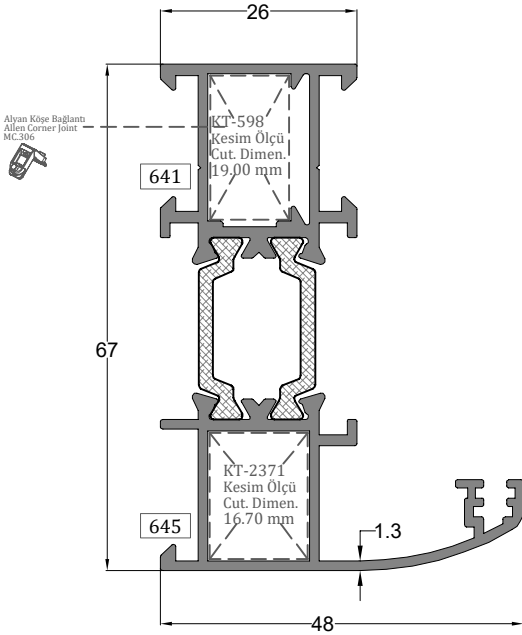
AKSESUAR ACCESSORY	STOK KODU REFERENCE CODE	AKSESUAR ADI DESCRIPTION	AKSESUAR KODU PRODUCT CODE	PAKET PACK
	01 011050	İÇE VE DIŞA AÇILIR BİNİLİ KAPI MENTEŞE (ELOKSALLI) INWARD AND OUTWARD OPENING HINGE (ANODIZED)	WD55T-KM.050	1 ad / 1 pk
	01 011051	İÇE VE DIŞA AÇILIR BİNİLİ KAPI MENTEŞE (BEYAZ) INWARD AND OUTWARD OPENING HINGE (WHITE)	WD55T-KM.051	1 ad / 1 pk
	01 011052	İÇE VE DIŞA AÇILIR BİNİLİ KAPI MENTEŞE (RENKLİ) INWARD AND OUTWARD OPENING HINGE (COLORED)	WD55T-KM.052	1 ad / 1 pk
	01 081702	SİSTEM AYARLI VASİSTAS ÇARPMA (NATUREL) SYSTEM TRANSOM CATCH (NATURAL)	WD59T-VÇ.702	100 ad / 1 pk
	01 081703	SİSTEM AYARLI VASİSTAS ÇARPMA (BEYAZ) SYSTEM TRANSOM CATCH (WHITE)	WD59T-VÇ.703	100 ad / 1 pk
	01 081704	SİSTEM AYARLI VASİSTAS ÇARPMA (RENKLİ) SYSTEM TRANSOM CATCH (COLORED)	WD59T-VÇ.704	100 ad / 1 pk
	01 080301	SİSTEM 13 CM VASİSTAS MAKAS (NATUREL) SYSTEM 13 CM TRANSOM TRUSS (ANODIZED)	WD59T-VM.301	50 ad / 1 pk
	01 080302	SİSTEM 13 CM VASİSTAS MAKAS (BEYAZ) SYSTEM 13 CM TRANSOM TRUSS (WHITE)	WD59T-VM.302	50 ad / 1 pk
	01 080303	SİSTEM 13 CM VASİSTAS MAKAS (RENKLİ) SYSTEM 13 CM TRANSOM TRUSS (COLORED)	WD59T-VM.303	50 ad / 1 pk
	01 080401	SİSTEM 22 CM VASİSTAS MAKAS (NATUREL) SYSTEM 22 CM TRANSOM TRUSS (ANODIZED)	WD59T-VM.401	50 ad / 1 pk
	01 080402	SİSTEM 22 CM VASİSTAS MAKAS (BEYAZ) SYSTEM 22 CM TRANSOM TRUSS (WHITE)	WD59T-VM.402	50 ad / 1 pk
	01 080403	SİSTEM 22 CM VASİSTAS MAKAS (RENKLİ) SYSTEM 22 CM TRANSOM TRUSS (COLORED)	WD59T-VM.403	50 ad / 1 pk
	01 081000	AYARLI KADEMELİ MAKAS 5 KADEME ADJUSTABLE TRUSS	WD59T-KM.1000	10 ad / 1 pk
	01 081001	AYARLI KADEMELİ MAKAS 3 KADEME ADJUSTABLE TRUSS	WD59T-KM.1001	10 ad / 1 pk
	11 010952	Ø5.5X50 mm YSB SAC VİDA (ETEK VE ORTA KAYIT BAĞLANTI VİDASI) Ø5.5X50 mm CURVED TOP SCREW (BOTTOM AND MULLION PROFILES CONNECTION SCREW)	WD59T-SC.952	1000 ad / 1 pk



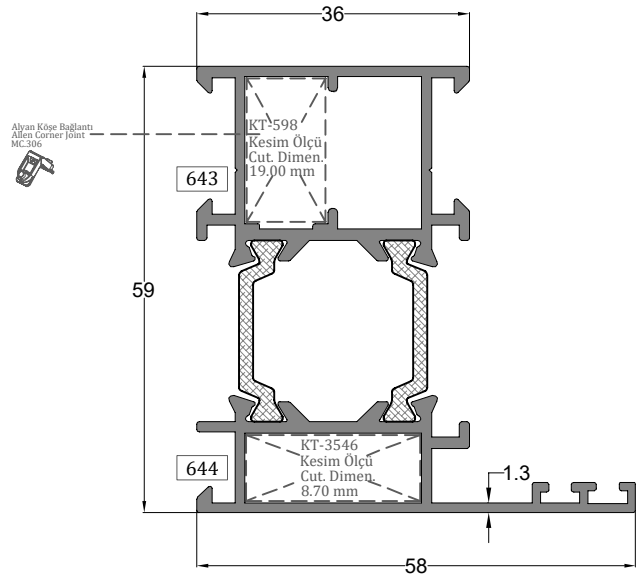
Kasa Profili	Profil Kodu	(kg/mt)	Jx cm ⁴	Jy cm ⁴
FRAME PROFILE	Profile Code	weight		
	59-641-642	1,080	15,93	4,72



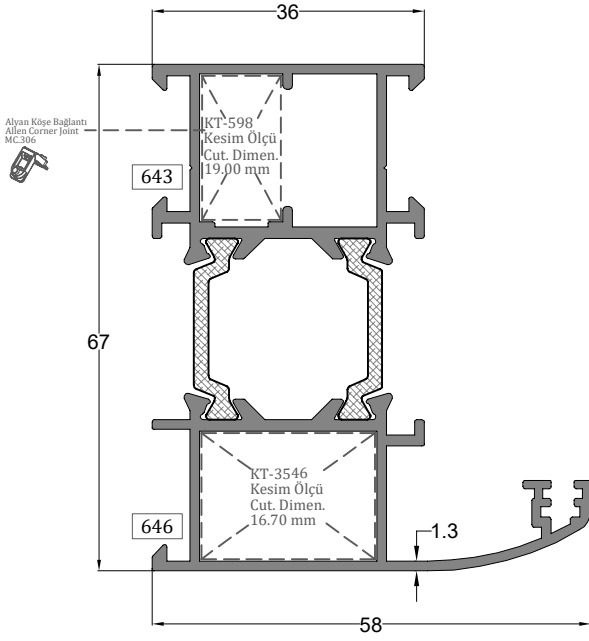
Kasa Profili	Profil Kodu	(kg/mt)	Jx cm ⁴	Jy cm ⁴
FRAME PROFILE	Profile Code	weight		
	59-13157-13158	1,116	16,39	4,73



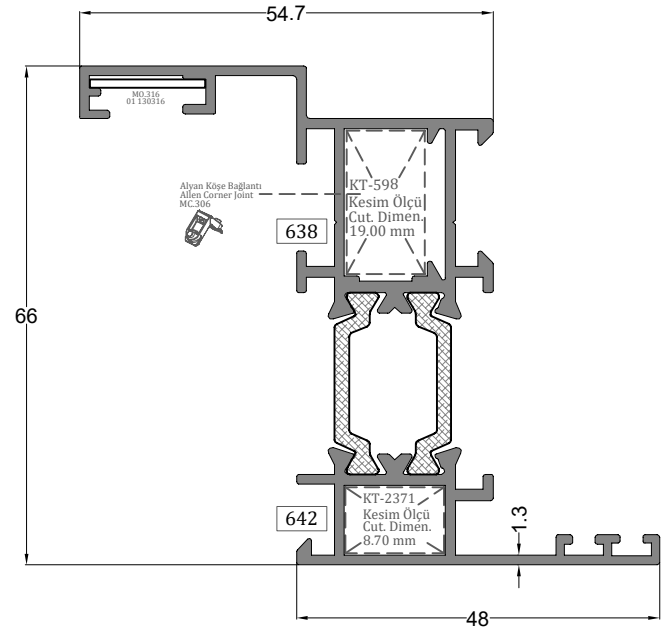
Kasa Profili	Profil Kodu	(kg/mt)	Jx cm ⁴	Jy cm ⁴
FRAME PROFILE	Profile Code	weight		
	59-641-645	1,166	20,72	5,83



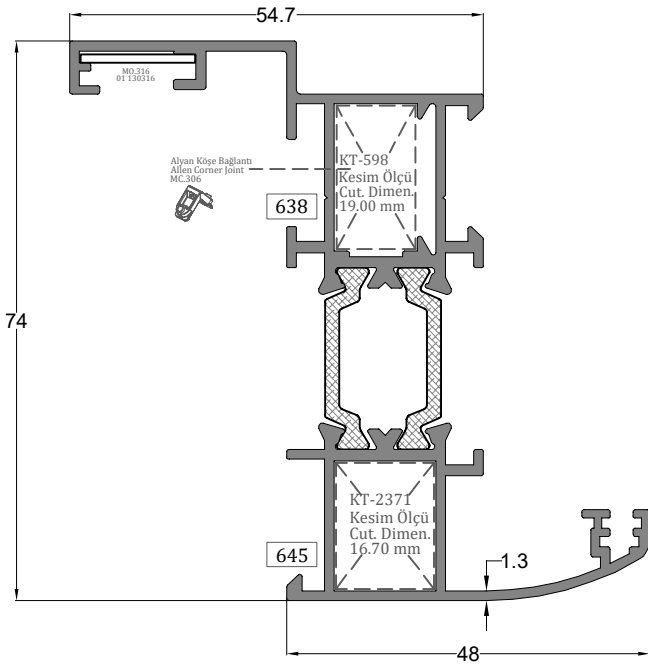
Kasa Profili	Profil Kodu	(kg/mt)	Jx cm ⁴	Jy cm ⁴
FRAME PROFILE	Profile Code	weight		
	59-643-644	1,253	18,77	9,52



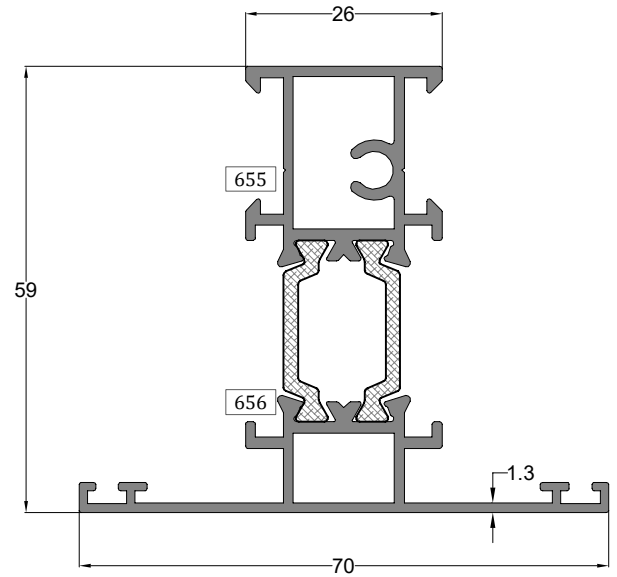
Kasa Profili	Profil Kodu	(kg/mt)	Jx cm ⁴	Jy cm ⁴
FRAME PROFILE	Profile Code	weight		
	59-643-646	1,338	24,17	11,19



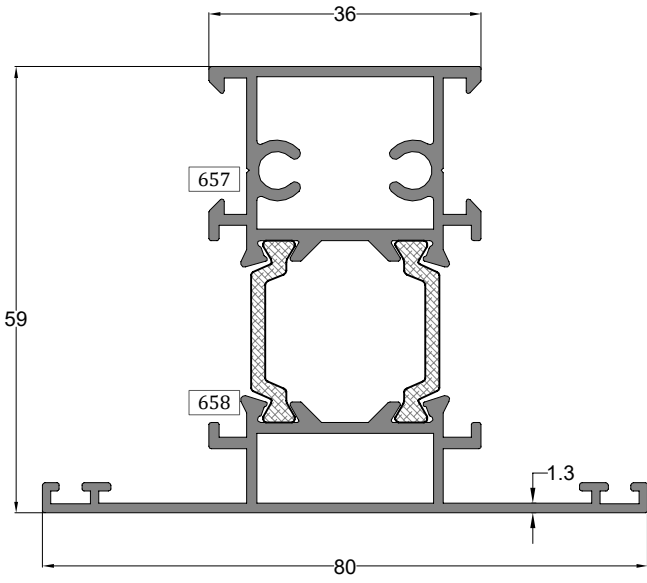
Kasa Profili	Profil Kodu	(kg/mt)	Jx cm ⁴	Jy cm ⁴
FRAME PROFILE	Profile Code	weight		
	59-638-642	1,277	24,98	10,76



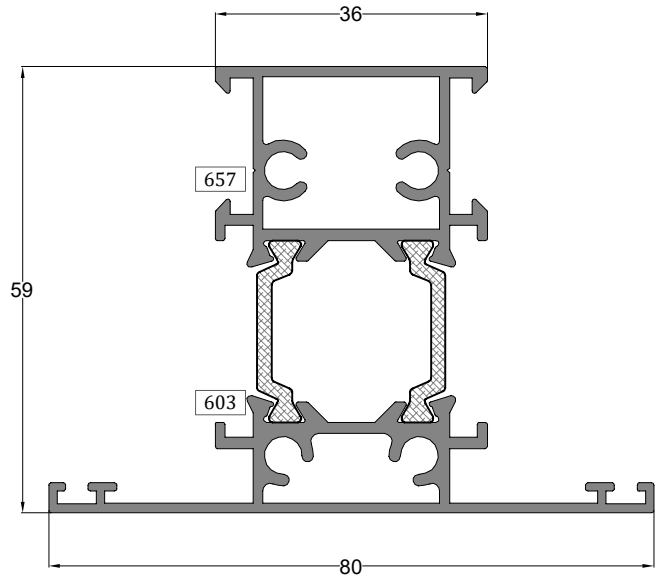
Kasa Profili	Profil Kodu	(kg/mt)	Jx cm ⁴	Jy cm ⁴
FRAME PROFILE	Profile Code	weight		
	59-638-645	1,362	34,12	12,45



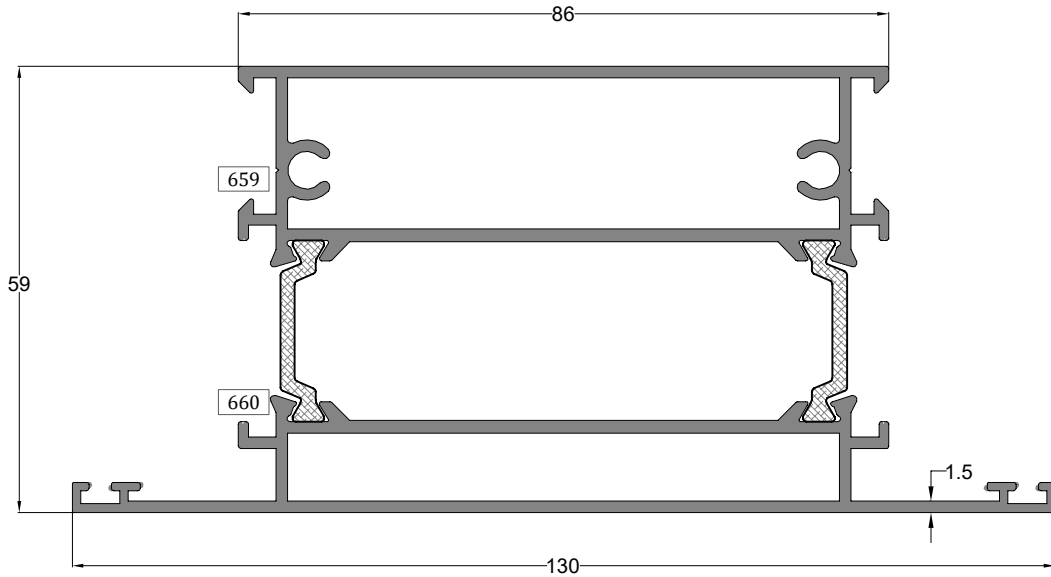
Orta Kayıt Profili	Profil Kodu	(kg/mt)	Jx cm ⁴	Jy cm ⁴
MULLION PROFILE	Profile Code	weight		
	59-655-656	1,205	18,36	7,44



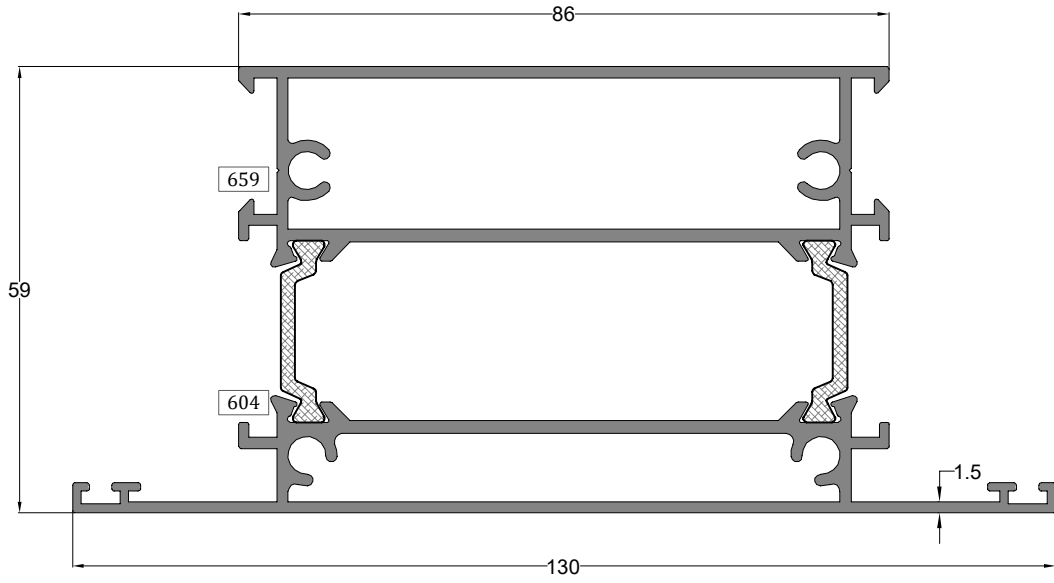
Orta Kayıt Profili	Profil Kodu	(kg/mt)	Jx cm ⁴	Jy cm ⁴
MULLION PROFILE	Profile Code	weight		
	59-657-658	1,431	22,02	13,59



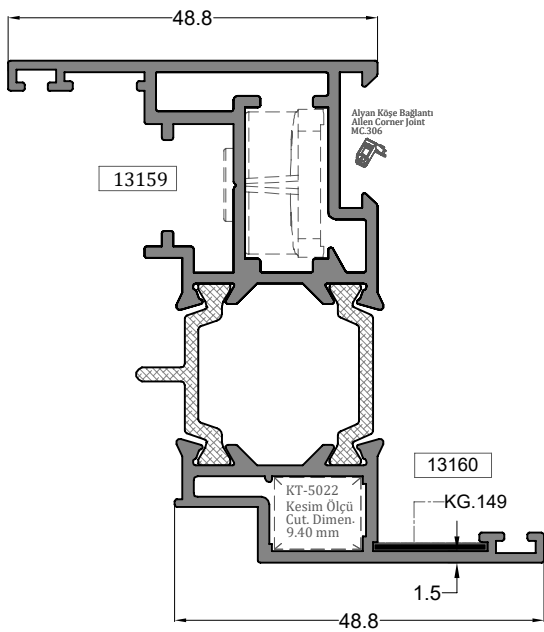
Orta Kayıt Profili	Profil Kodu	(kg/mt)	Jx cm ⁴	Jy cm ⁴
MULLION PROFILE	Profile Code	weight		
	59-657-603	1,522	23,05	13,86



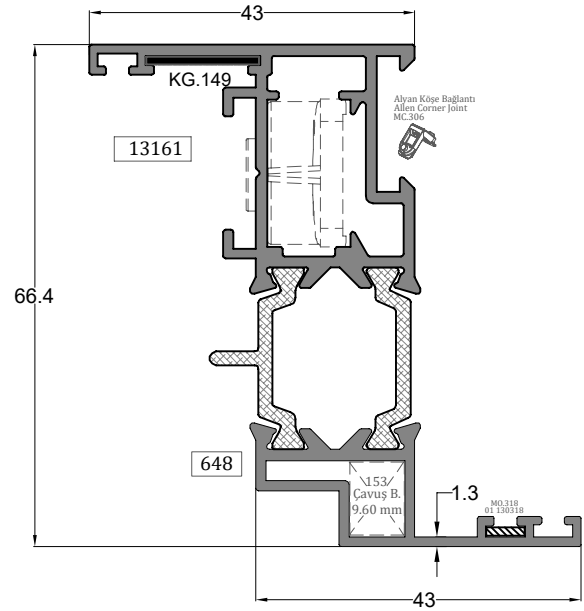
Orta Kayıt Profili	Profil Kodu	(kg/mt)	Jx cm ⁴	Jy cm ⁴
MULLION PROFILE	Profile Code	weight		
	59-659-660	2,376	39,12	99,20



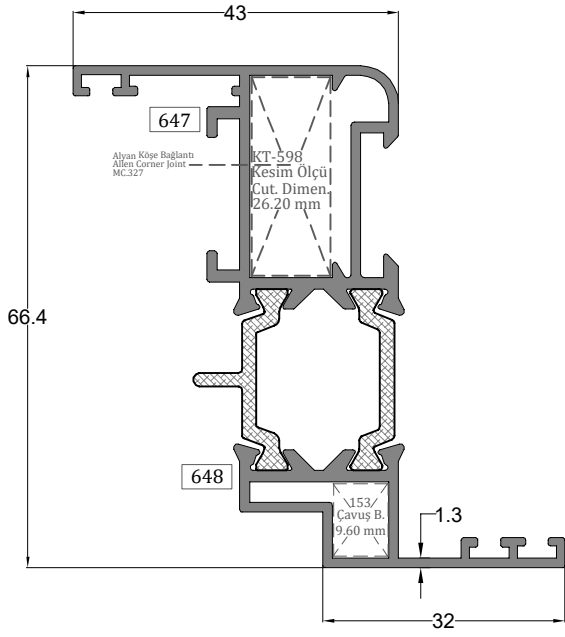
Orta Kayıt Profili	Profil Kodu	(kg/mt)	Jx cm ⁴	Jy cm ⁴
MULLION PROFILE	Profile Code	weight		
	59-659-604	2,461	40,21	102,69



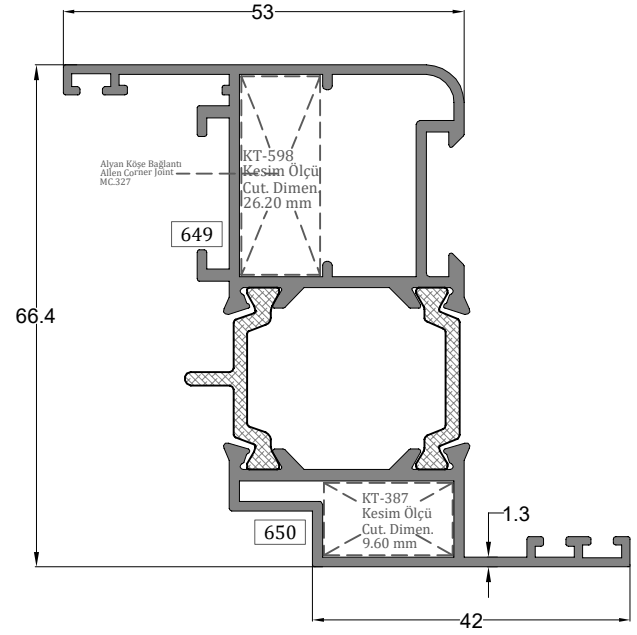
Kanat Profili	Profil Kodu	(kg/mt)	Jx cm ⁴	Jy cm ⁴
SASH PROFILE	Profile Code	weight		
	59-13159-13160	1,497	39,94	11,82



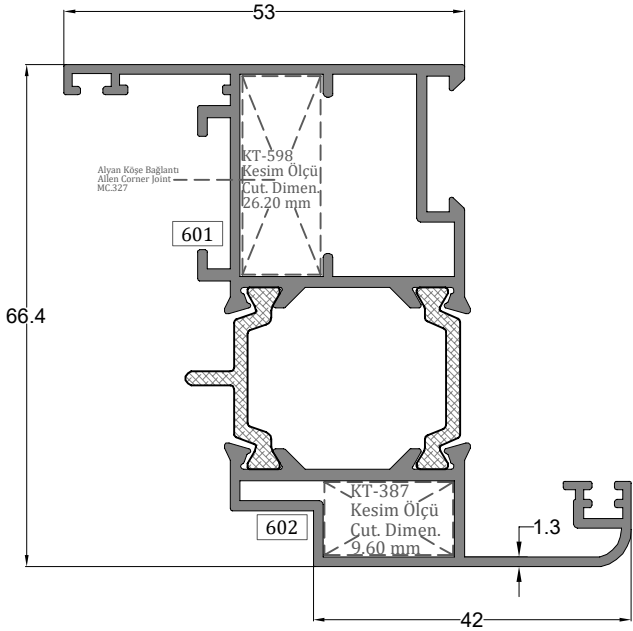
Kanat Profili	Profil Kodu	(kg/mt)	Jx cm ⁴	Jy cm ⁴
SASH PROFILE	Profile Code	weight		
	59-13161-648	1,320	25,00	7,51



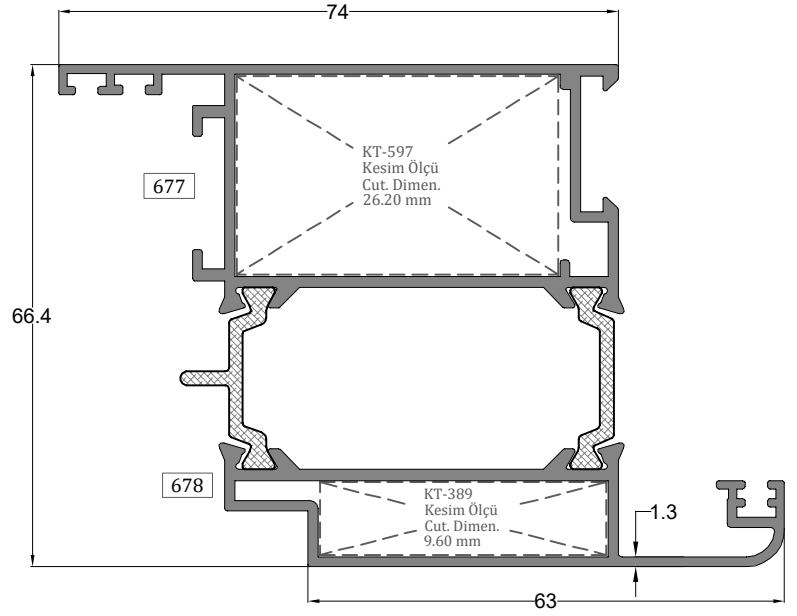
Kanat Profili	Profil Kodu Profile Code	(kg/mt) weight	Jx cm ⁴	Jy cm ⁴
SASH PROFILE	59-647-648	1,220	23,39	7,33



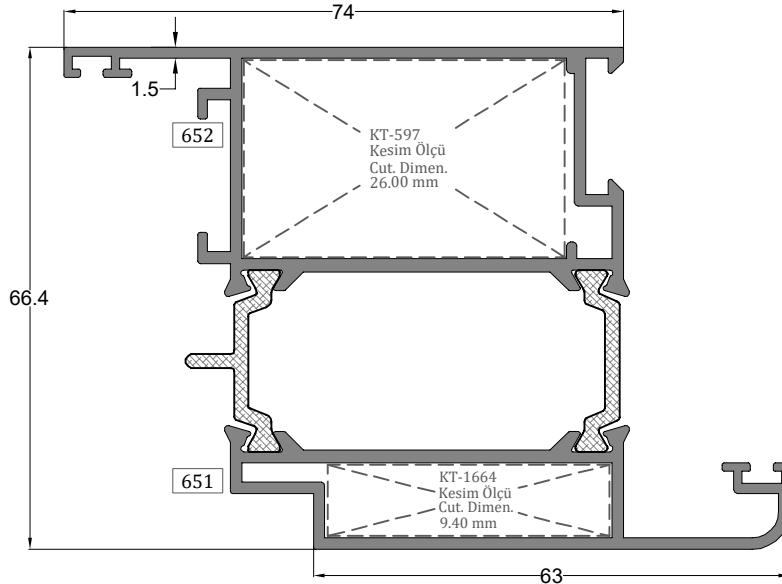
Kanat Profili	Profil Kodu Profile Code	(kg/mt) weight	Jx cm ⁴	Jy cm ⁴
SASH PROFILE	59-649-650	1,369	26,77	13,56



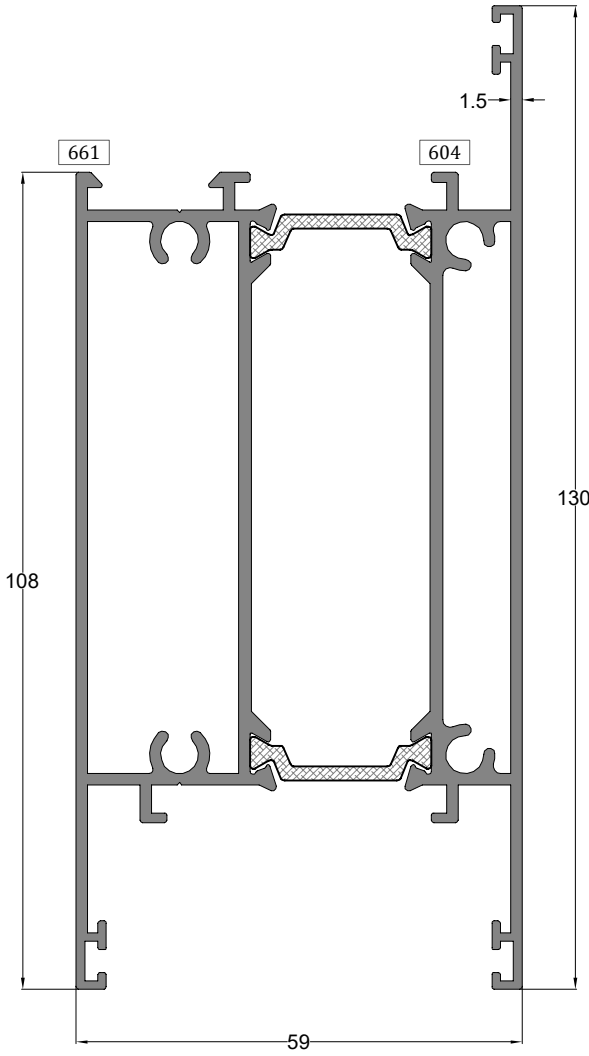
Kanat Profili	Profil Kodu Profile Code	(kg/mt) weight	Jx cm ⁴	Jy cm ⁴
SASH PROFILE	59-601-602	1,425	27,67	15,77



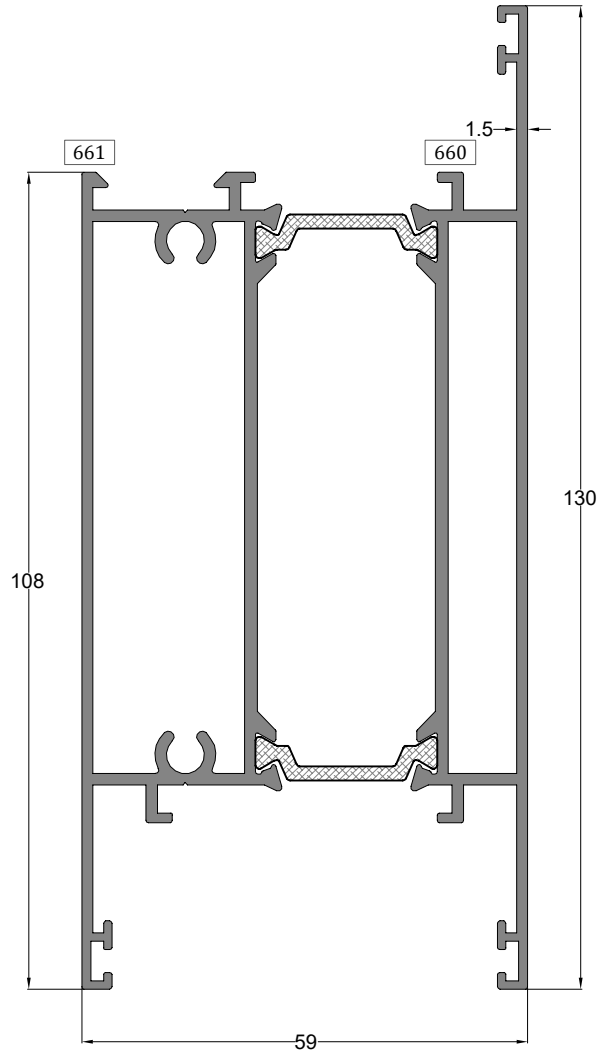
Kanat Profili	Profil Kodu Profile Code	(kg/mt) weight	Jx cm ⁴	Jy cm ⁴
SASH PROFILE	59-678-677	1,746	27,67	15,77



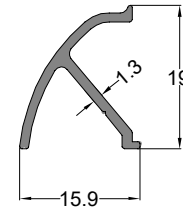
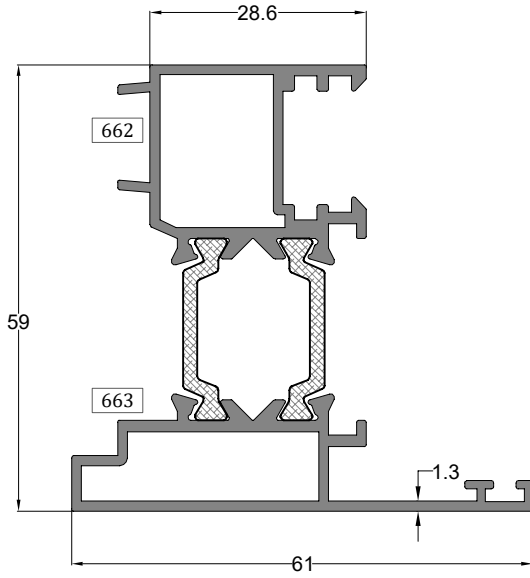
Kanat Profili	Profil Kodu	(kg/mt)	Jx cm ⁴	Jy cm ⁴
SASH PROFILE	Profile Code	weight		
	59-651-652	1,869	37,63	41,65



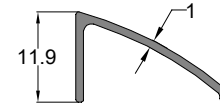
Etek Profili	Profil Kodu	(kg/mt)
BOTTOM PROFILE	Profile Code	weight
	59-604-661	2,571



Etek Profili	Profil Kodu	(kg/mt)
BOTTOM PROFILE	Profile Code	weight
	59-660-661	2,486

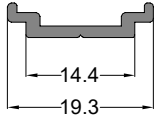


Damlalık Profili	Profil Kodu	(kg/mt)
SILL PROFILE	Profile Code	weight
	7021	0,140

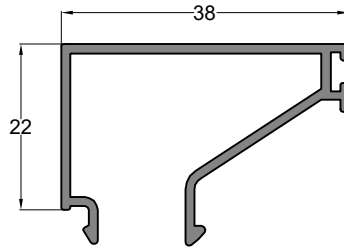


Adaptör Profili	Profil Kodu	(kg/mt)	Jx cm ⁴	Jy cm ⁴
ADAPTER PROFILE	Profile Code	weight		
	59-662-663	1,220	18,34	7,67

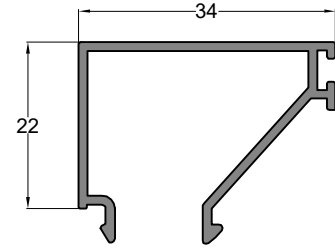
Damlalık Profili	Profil Kodu	(kg/mt)
SILL PROFILE	Profile Code	weight
	4242	0,094



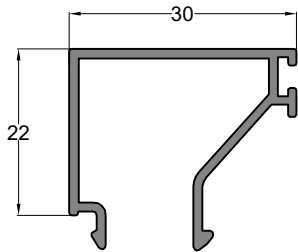
Tij Profili	Profil Kodu	(kg/mt)
STEM BAR PROFILE	Profile Code	weight
	8241	0,099



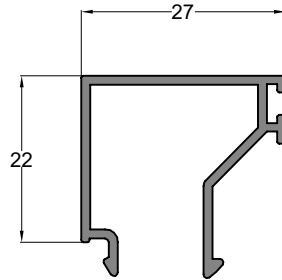
Cam Çıtası	Profil Kodu	(kg/mt)
GLAZING BEAD	Profile Code	Weight
	7043	0,366



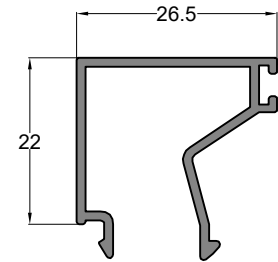
Cam Çıtası	Profil Kodu	(kg/mt)
GLAZING BEAD	Profile Code	Weight
	676	0,331



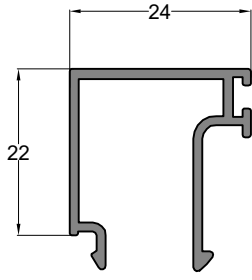
Cam Çıtası	Profil Kodu	(kg/mt)
GLAZING BEAD	Profile Code	Weight
	7036	0,319



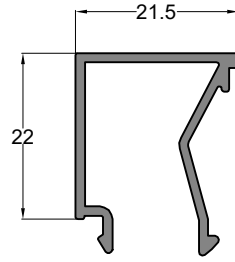
Cam Çıtası	Profil Kodu	(kg/mt)
GLAZING BEAD	Profile Code	Weight
	606	0,299



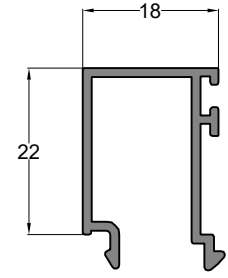
Cam Çıtası	Profil Kodu	(kg/mt)
GLAZING BEAD	Profile Code	Weight
	792	0,301



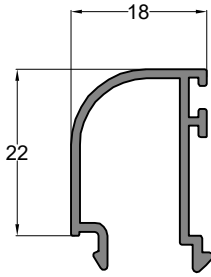
Cam Çıtası	Profil Kodu	(kg/mt)
GLAZING BEAD	Profile Code	Weight
	7023	0,294



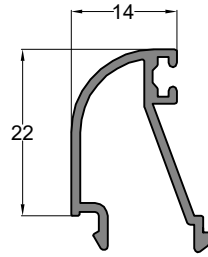
Cam Çıtası	Profil Kodu	(kg/mt)
GLAZING BEAD	Profile Code	Weight
	770	0,270



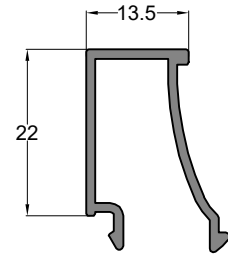
Cam Çıtası	Profil Kodu	(kg/mt)
GLAZING BEAD	Profile Code	Weight
	664	0,266



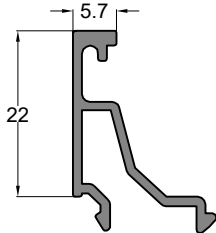
Cam Çıtası	Profil Kodu	(kg/mt)
GLAZING BEAD	Profile Code	Weight
	665	0,253



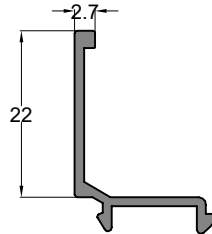
Cam Çıtası	Profil Kodu	(kg/mt)
GLAZING BEAD	Profile Code	Weight
	791	0,239



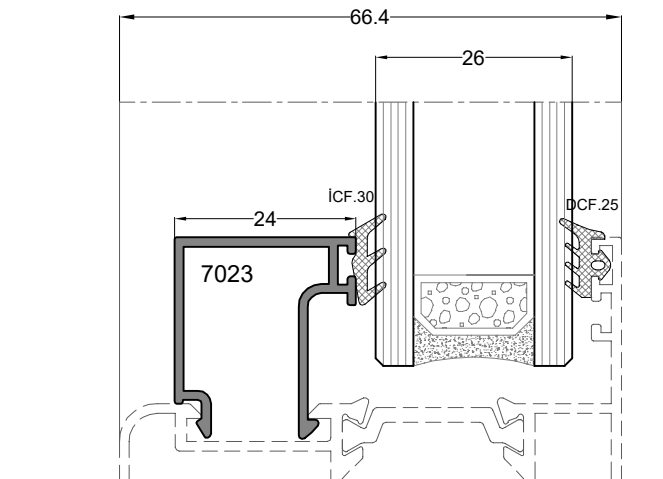
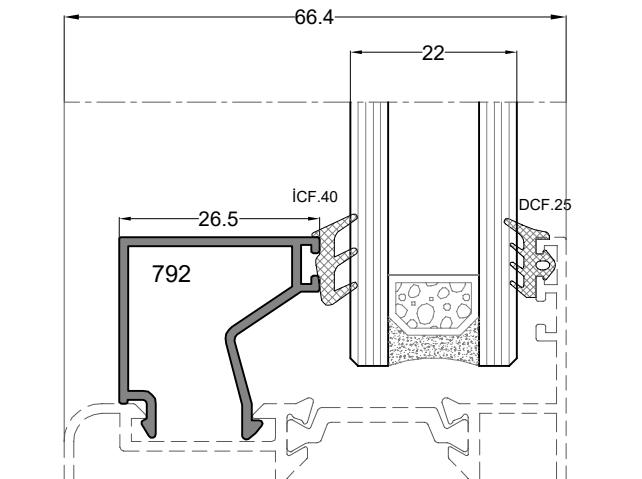
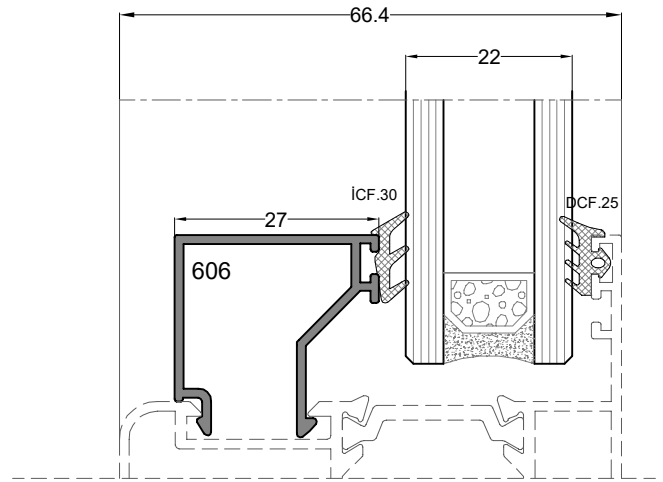
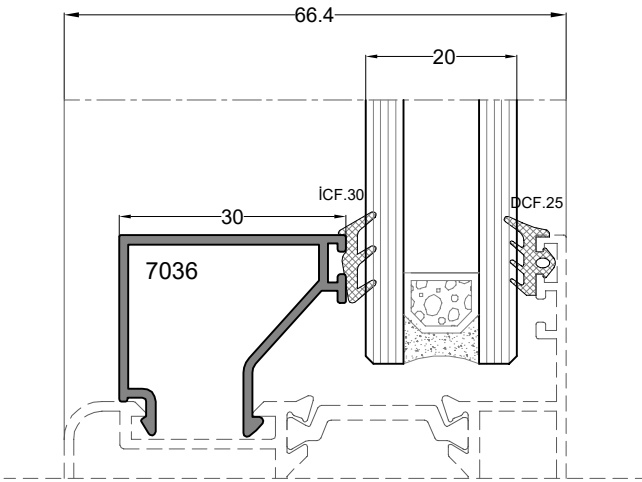
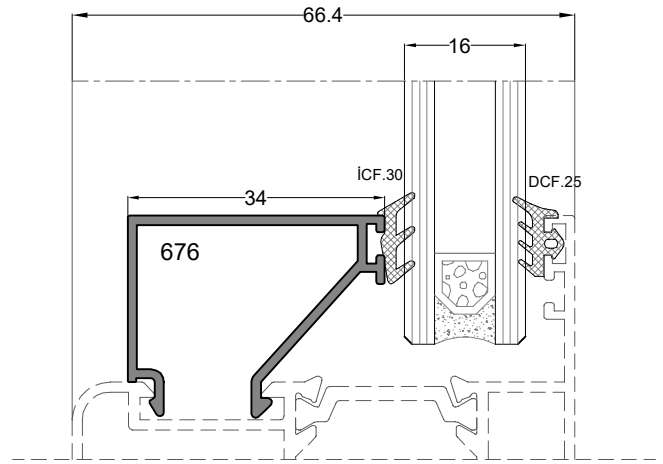
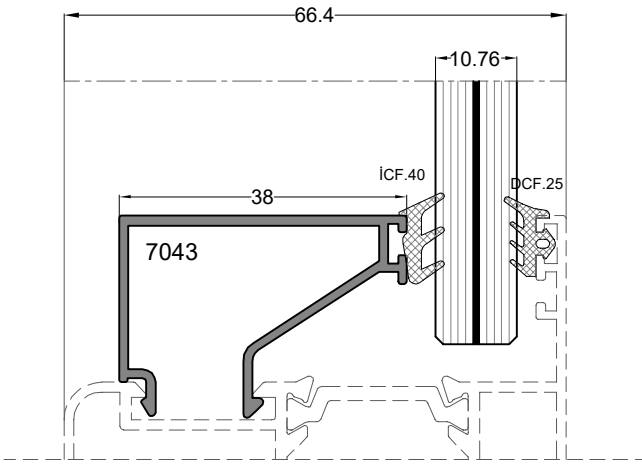
Cam Çıtası	Profil Kodu	(kg/mt)
GLAZING BEAD	Profile Code	Weight
	793	0,235

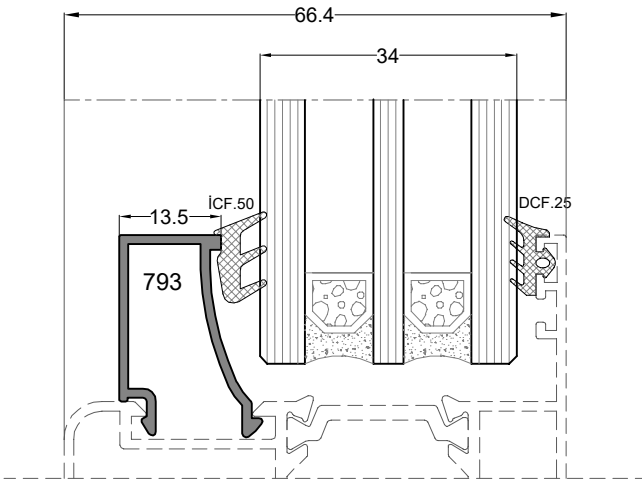
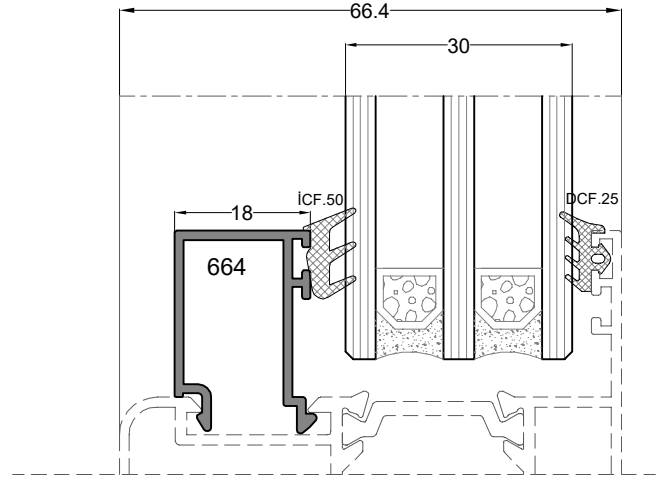
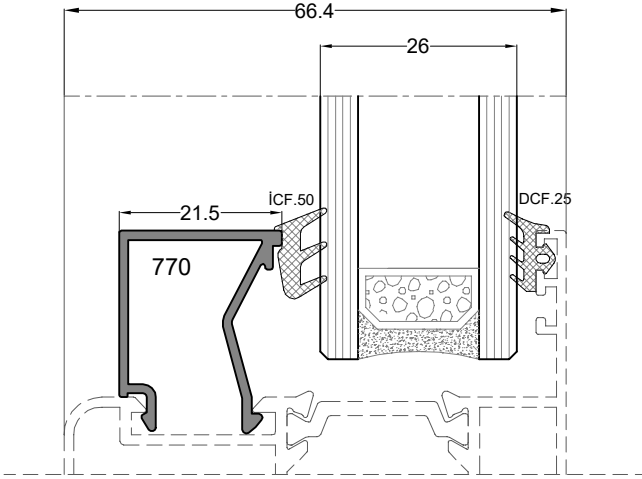


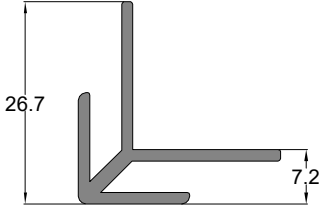
Cam Çıtası	Profil Kodu	(kg/mt)
GLAZING BEAD	Profile Code	Weight
	772	0,225



Cam Çıtası	Profil Kodu	(kg/mt)
GLAZING BEAD	Profile Code	Weight
	771	0,165

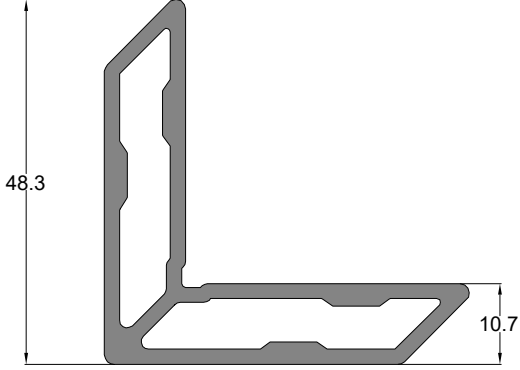






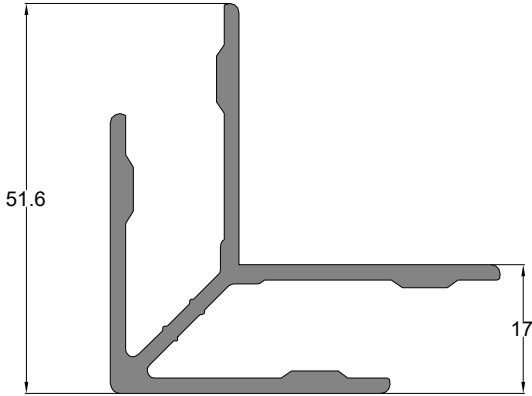
Köşe Çavuş Profili CORNER CONNECTION PROFILE	Profil Kodu Profile Code	(kg/mt) weight
	153	0,308

Köşe Çavuş Profil Kodu Corner Connection Profile Code	Kullanıldığı Profil Compatible Profile	Kesim Boyu (mm) Cutting Length (mm)
153	648	9.60 mm



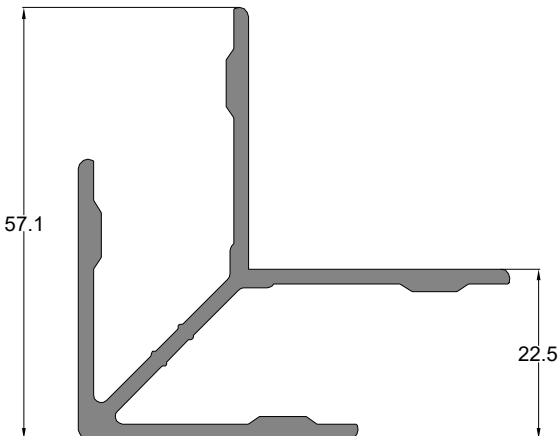
Köşe Çavuş Profili CORNER CONNECTION PROFILE	Profil Kodu Profile Code	(kg/mt) weight
	386	1,088

Köşe Çavuş Profil Kodu Corner Connection Profile Code	Kullanıldığı Profil Compatible Profile	Kesim Boyu (mm) Cutting Length (mm)
386	643	19.00 mm
	649	26.20 mm



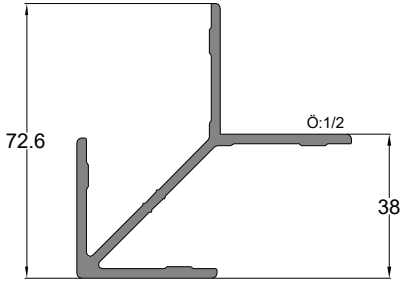
Köşe Çavuş Profili CORNER CONNECTION PROFILE	Profil Kodu Profile Code	(kg/mt) weight
	387	0,970

Köşe Çavuş Profil Kodu Corner Connection Profile Code	Kullanıldığı Profil Compatible Profile	Kesim Boyu (mm) Cutting Length (mm)
387	650	9.60 mm
	602	9.60 mm



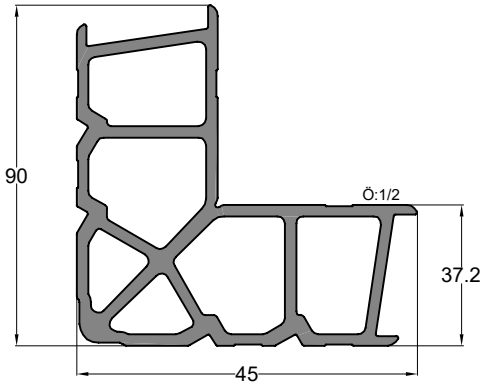
Köşe Çavuş Profili CORNER CONNECTION PROFILE	Profil Kodu Profile Code	(kg/mt) weight
	388	1,012

Köşe Çavuş Profil Kodu Corner Connection Profile Code	Kullanıldığı Profil Compatible Profile	Kesim Boyu (mm) Cutting Length (mm)
388	644	8.70 mm
	646	16.70 mm



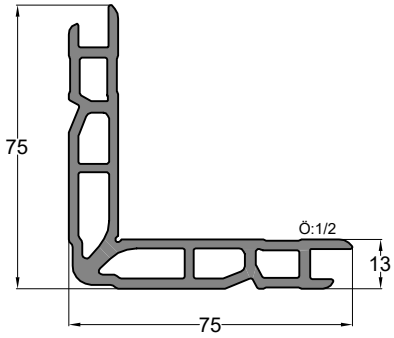
Köşe Çavuş Profili CORNER CONNECTION PROFILE	Profil Kodu Profile Code	(kg/mt) weight
	389	1,338

Köşe Çavuş Profil Kodu Corner Connection Profile Code	Kullanıldığı Profil Compatible Profile	Kesim Boyu (mm) Cutting Length (mm)
389	678	9.60 mm
	605	26.00 mm
	684	26.00 mm



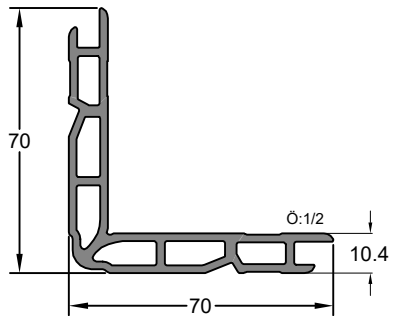
Köşe Takoz Profili CORNER WEDGE PROFILE	Profil Kodu Profile Code	(kg/mt) weight
	1664	3,991

Köşe Takozu Profil Kodu Corner Wedge Profile Code	Kullanıldığı Profil Compatible Profile	Kesim Boyu (mm) Cutting Length (mm)
1664	651	9.40 mm



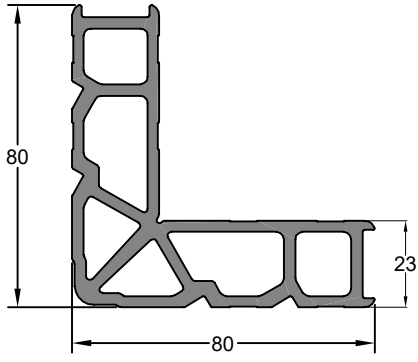
Köşe Takoz Profili CORNER WEDGE PROFILE	Profil Kodu Profile Code	(kg/mt) weight
	2371	2,241

Köşe Takozu Profil Kodu Corner Wedge Profile Code	Kullanıldığı Profil Compatible Profile	Kesim Boyu (mm) Cutting Length (mm)
2371	642	8.70 mm
	645	16.70 mm



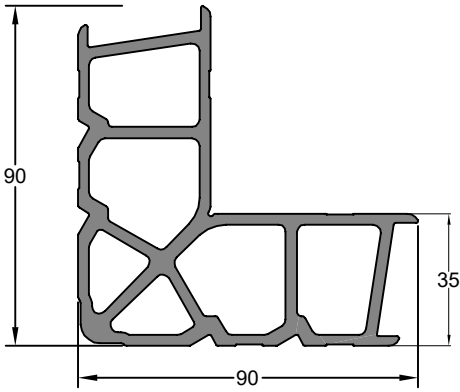
Köşe Takoz Profili CORNER WEDGE PROFILE	Profil Kodu Profile Code	(kg/mt) weight
	598	2,241

Köşe Takozu Profil Kodu Corner Wedge Profile Code	Kullanıldığı Profil Compatible Profile	Kesim Boyu (mm) Cutting Length (mm)
598	641	19.00 mm
	643	19.00 mm
	638	19.00 mm
	649	26.20 mm
	647	26.20 mm
	601	26.20 mm



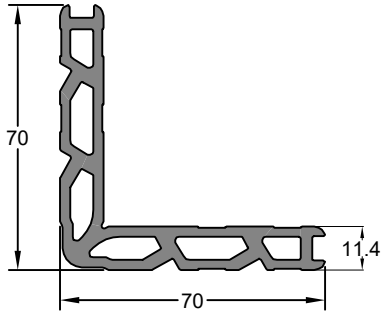
Köşe Takoz Profili CORNER WEDGE PROFILE	Profil Kodu Profile Code	(kg/mt) weight
	3546	3,357

Köşe Takozu Profil Kodu Corner Wedge Profile Code	Kullanıldığı Profil Compatible Profile	Kesim Boyu (mm) Cutting Length (mm)
3546	644	8.70 mm
	646	16.70 mm



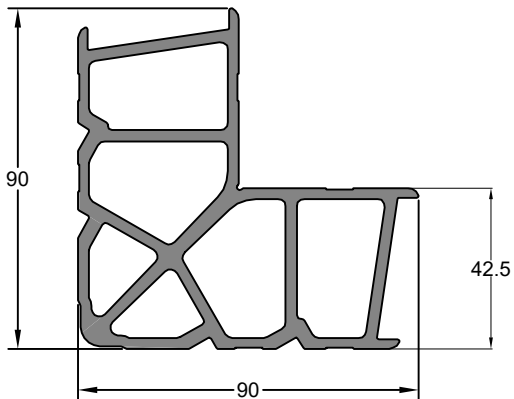
Köşe Takoz Profili CORNER WEDGE PROFILE	Profil Kodu Profile Code	(kg/mt) weight
	7040	3,998

Köşe Takozu Profil Kodu Corner Wedge Profile Code	Kullanıldığı Profil Compatible Profile	Kesim Boyu (mm) Cutting Length (mm)
7040	645	9.80 mm



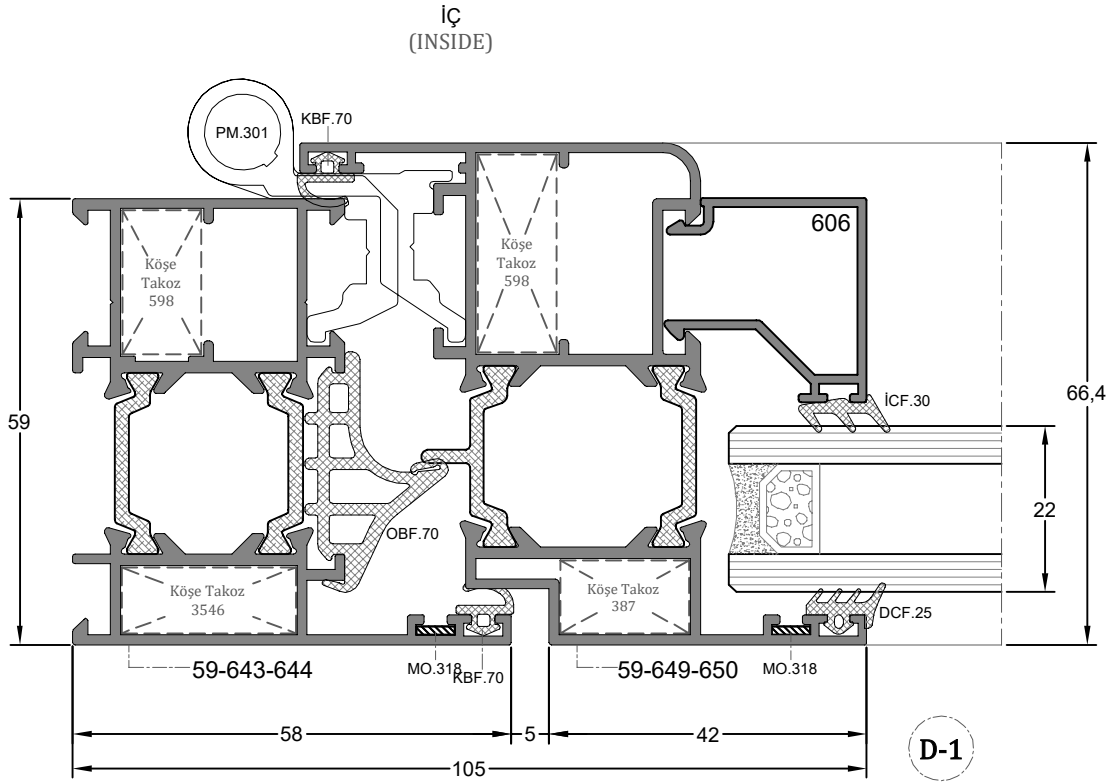
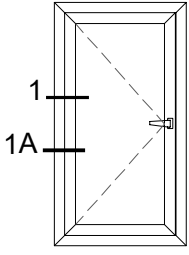
Köşe Takoz Profili CORNER WEDGE PROFILE	Profil Kodu Profile Code	(kg/mt) weight
	5022	2,245

Köşe Takozu Profil Kodu Corner Wedge Profile Code	Kullanıldığı Profil Compatible Profile	Kesim Boyu (mm) Cutting Length (mm)
5022	13158	8.50 mm
	13160	9.40 mm

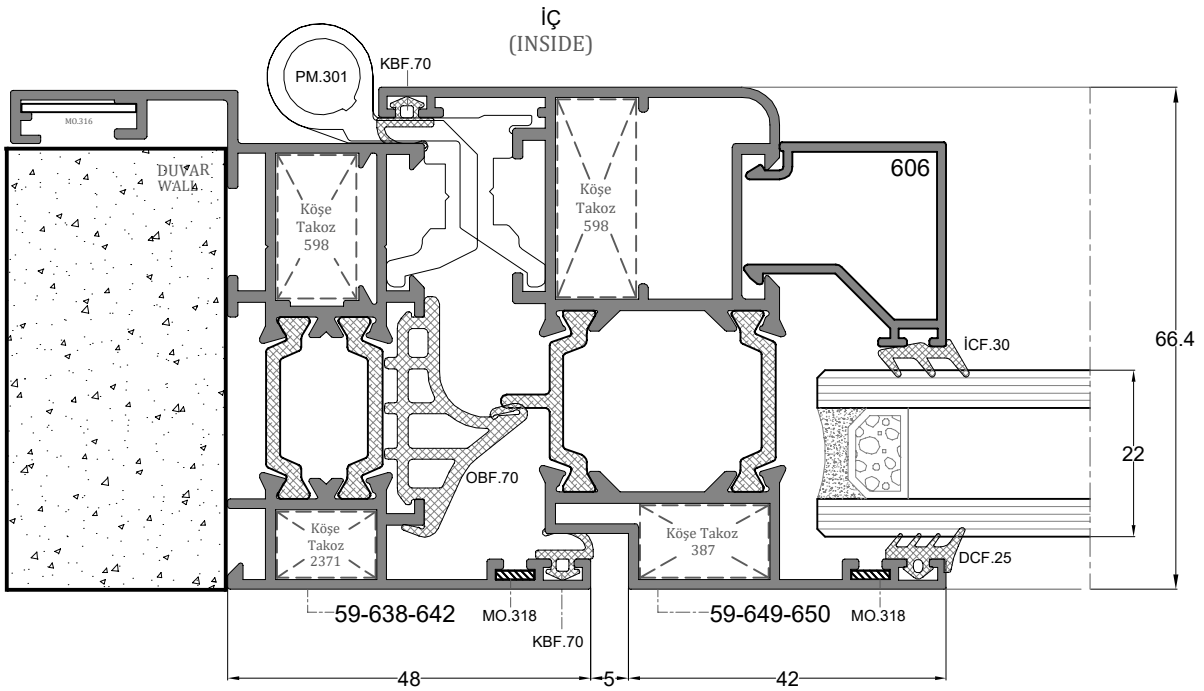


Köşe Takoz Profili CORNER WEDGE PROFILE	Profil Kodu Profile Code	(kg/mt) weight
	597	4,241

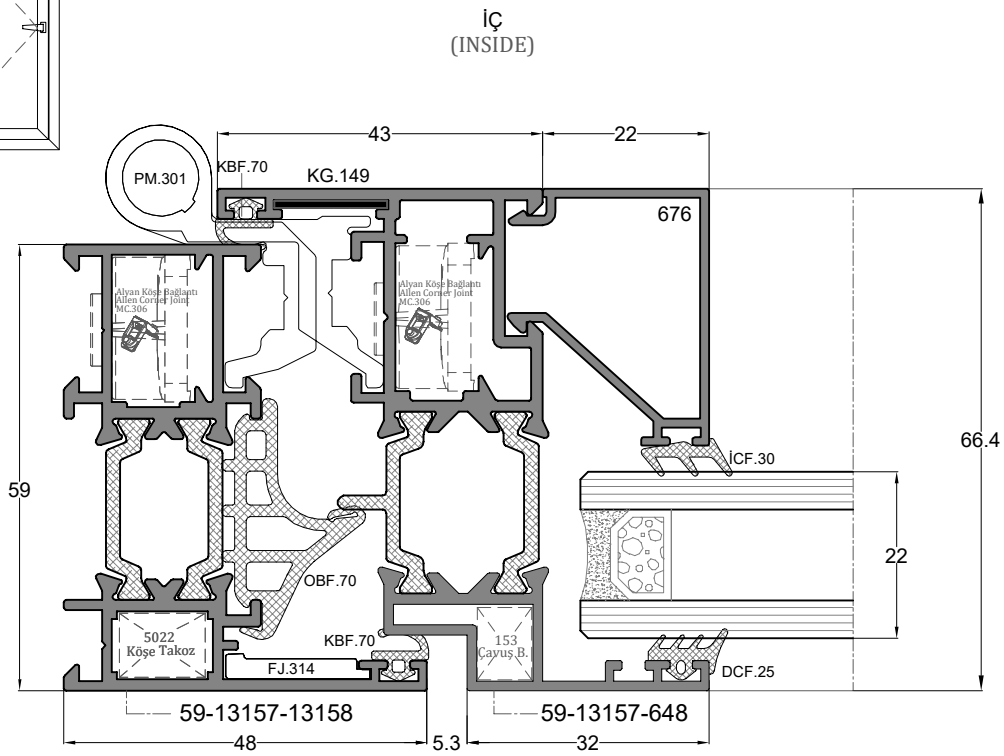
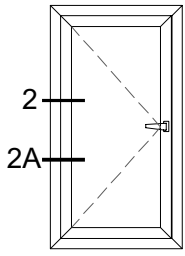
Köşe Takozu Profil Kodu Corner Wedge Profile Code	Kullanıldığı Profil Compatible Profile	Kesim Boyu (mm) Cutting Length (mm)
597	652	26.00 mm
	677	26.00 mm



DIŞ
(OUTSIDE)



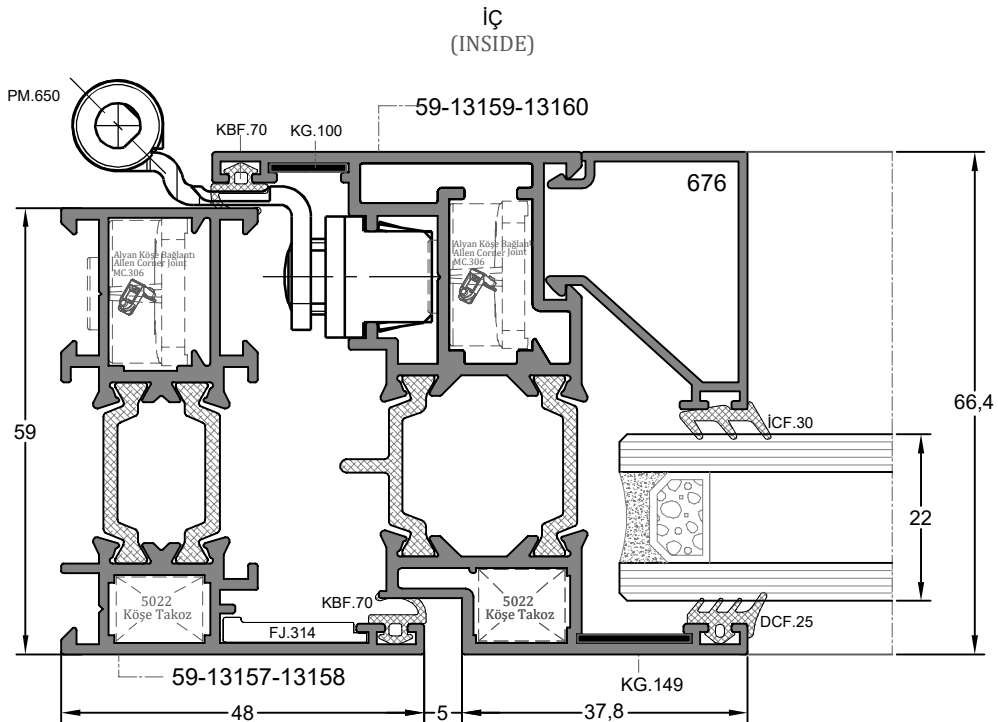
DIŞ
(OUTSIDE)



D-2

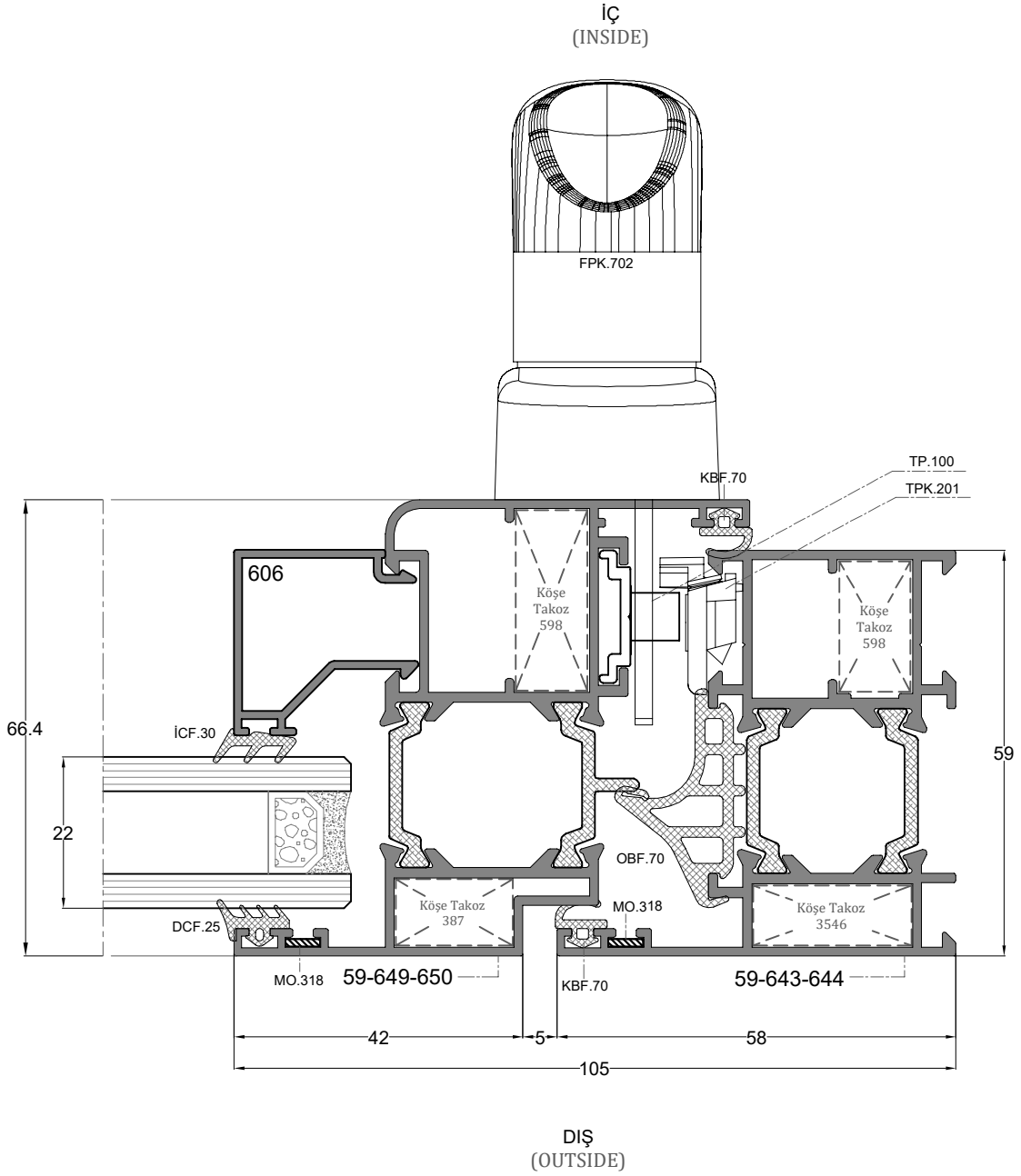
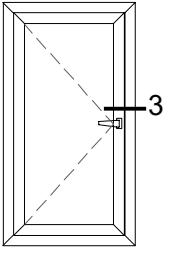
DIŞ
(OUTSIDE)

59-13159-13160

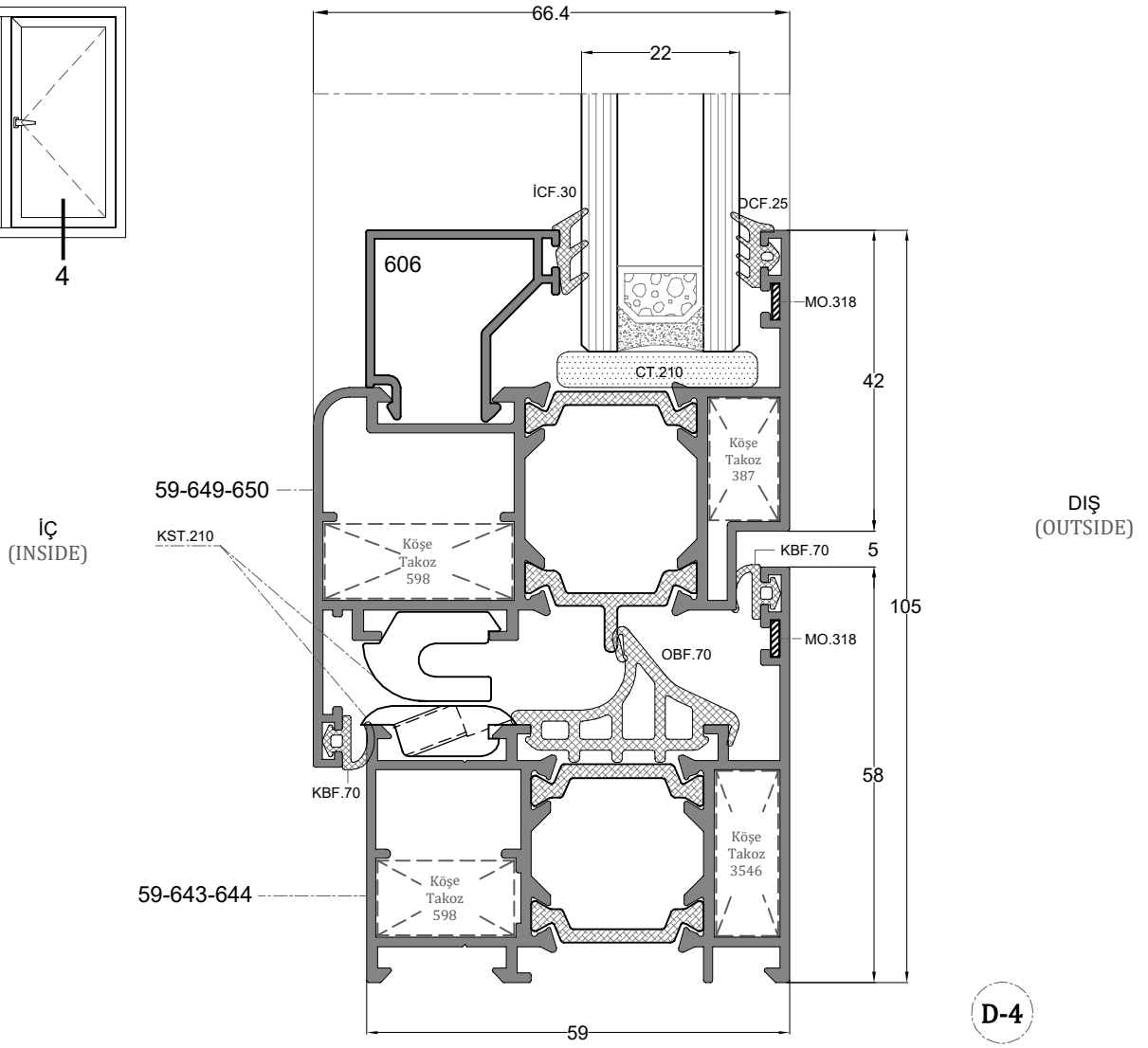
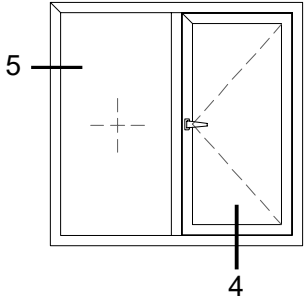


DIŞ
(OUTSIDE)

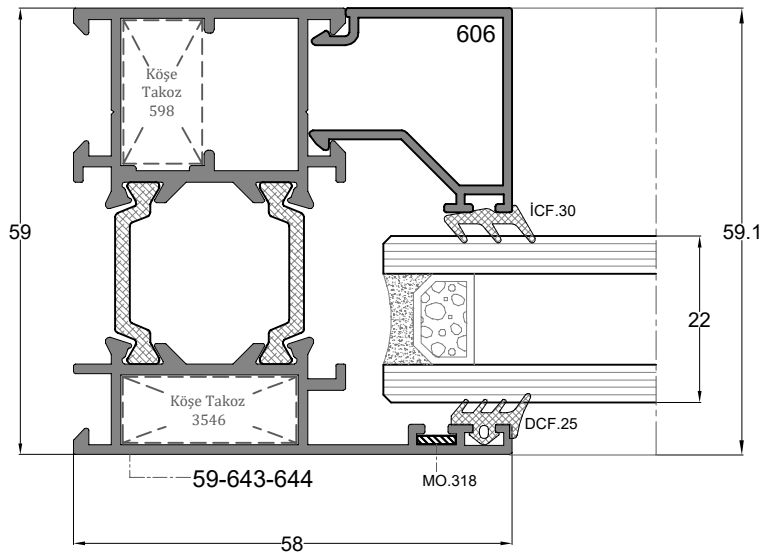
D-2A



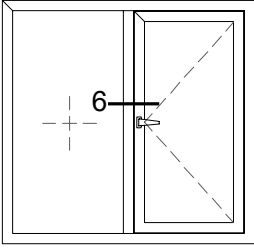
D-3



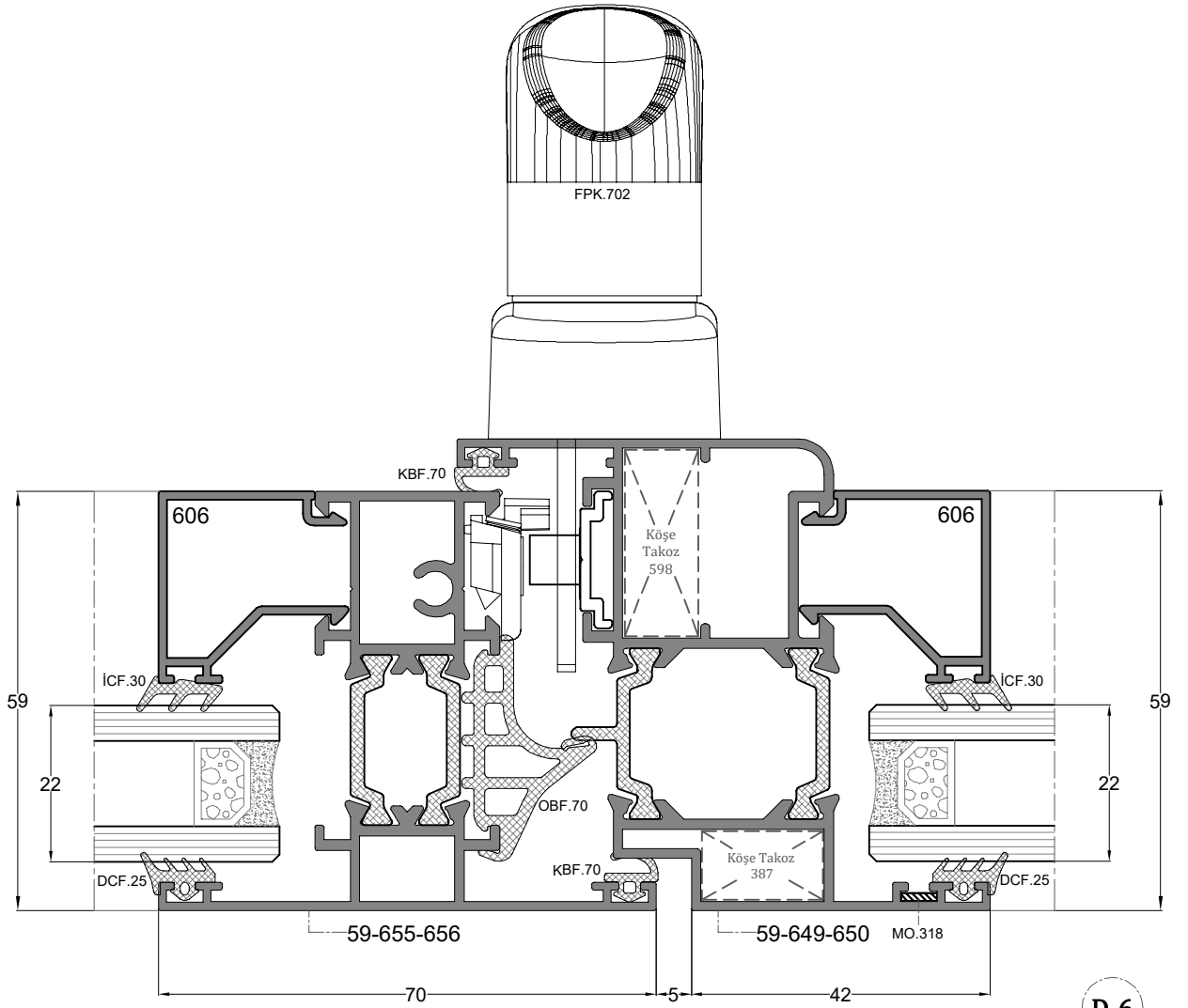
İÇ
(INSIDE)



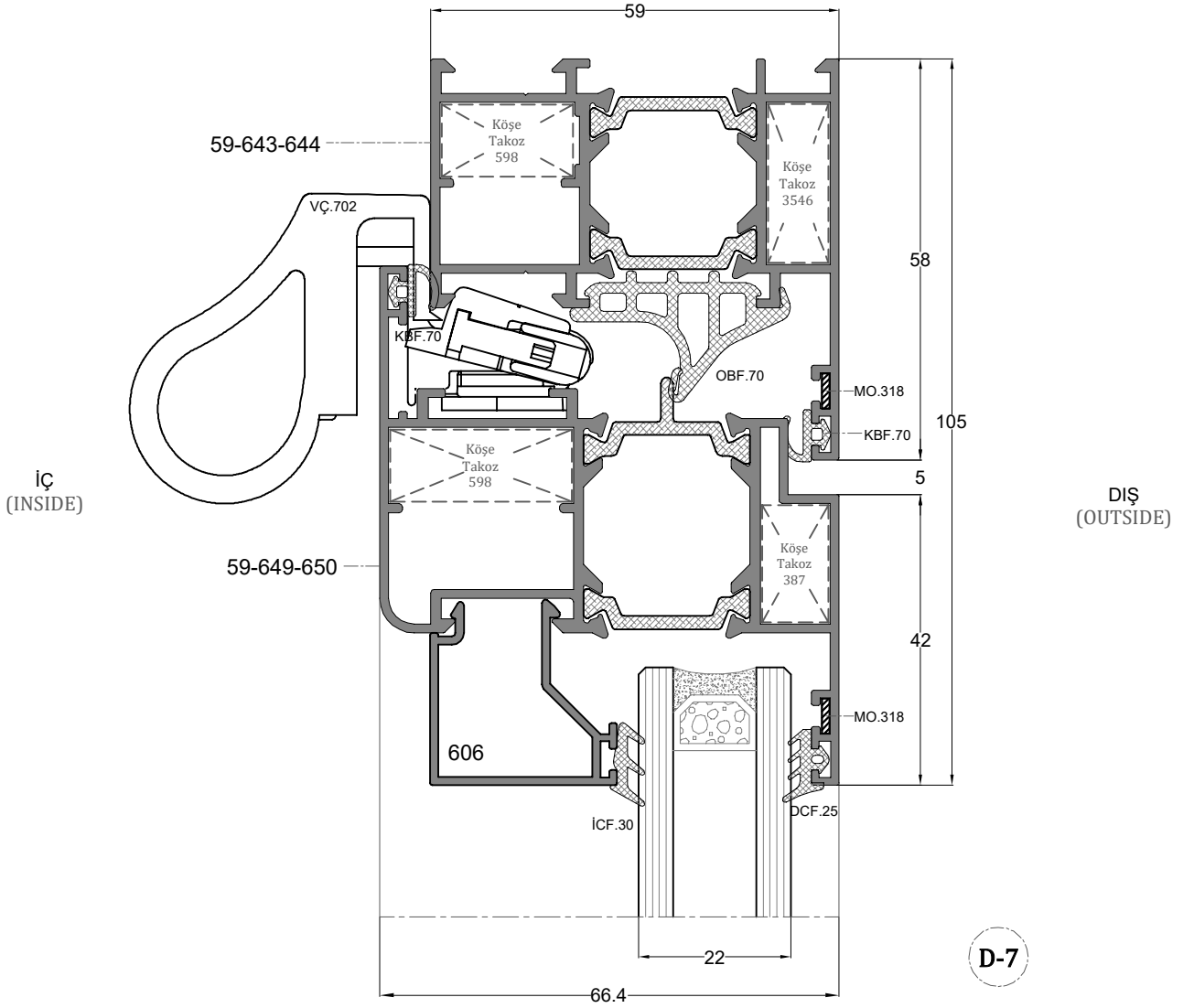
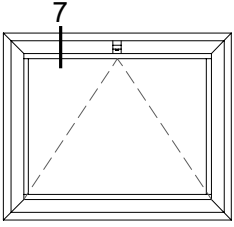
DIŞ
(OUTSIDE)

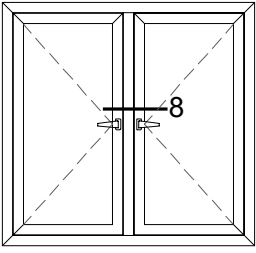


İÇ
(INSIDE)

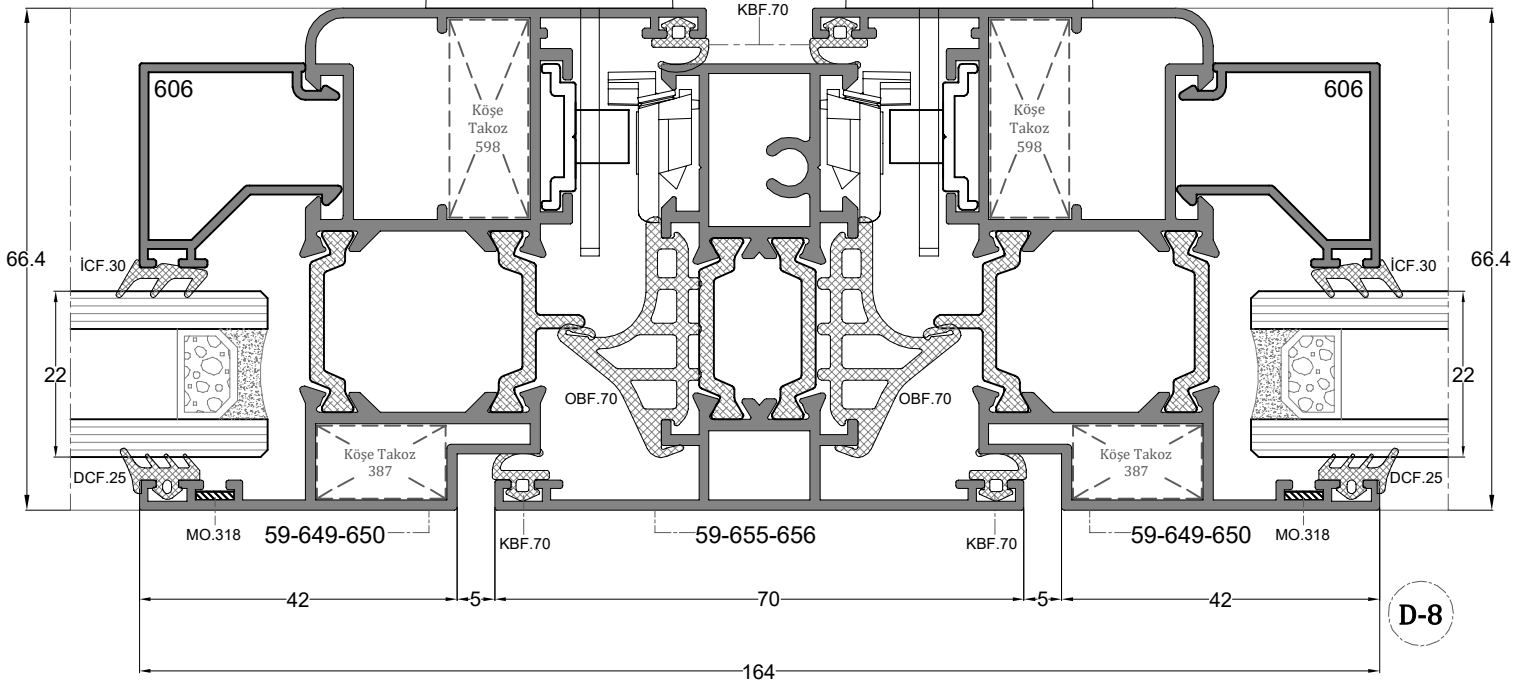
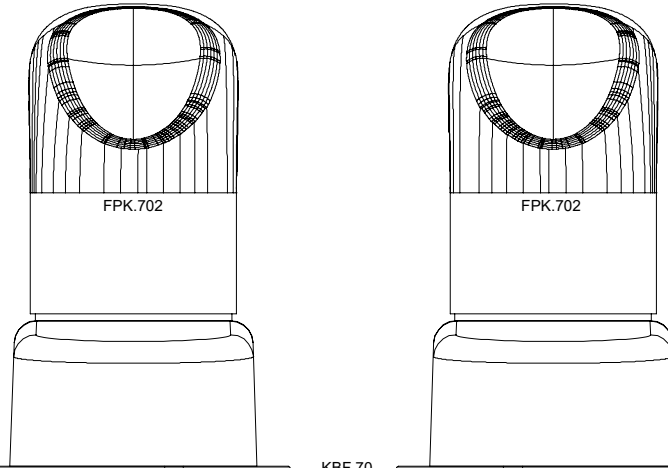


DIŞ
(OUTSIDE)

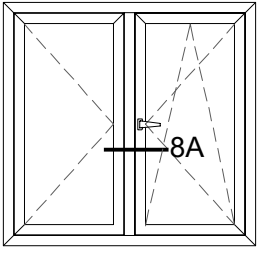




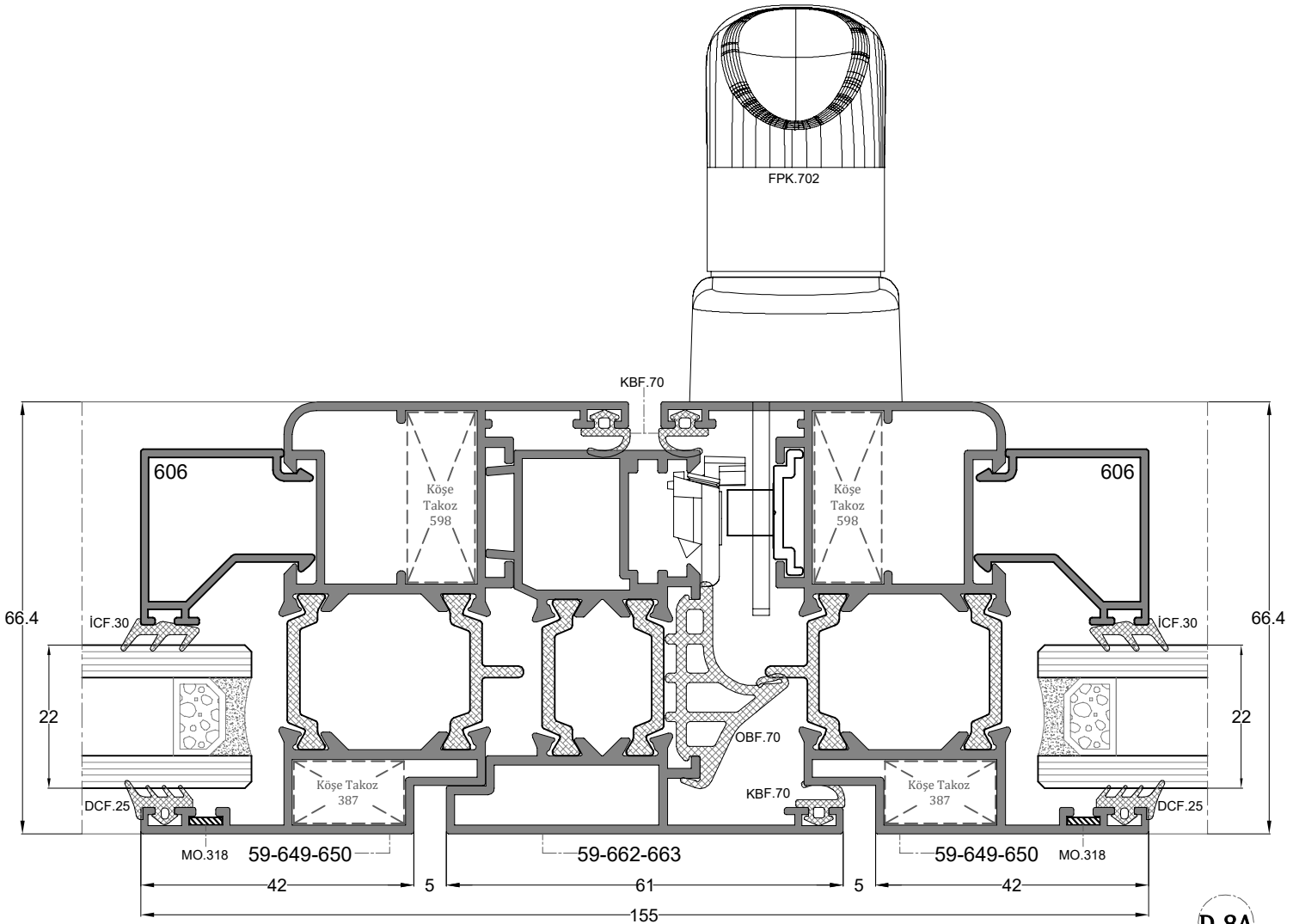
İÇ
(INSIDE)



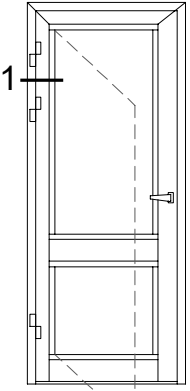
DIŞ
(OUTSIDE)



İÇ
(INSIDE)

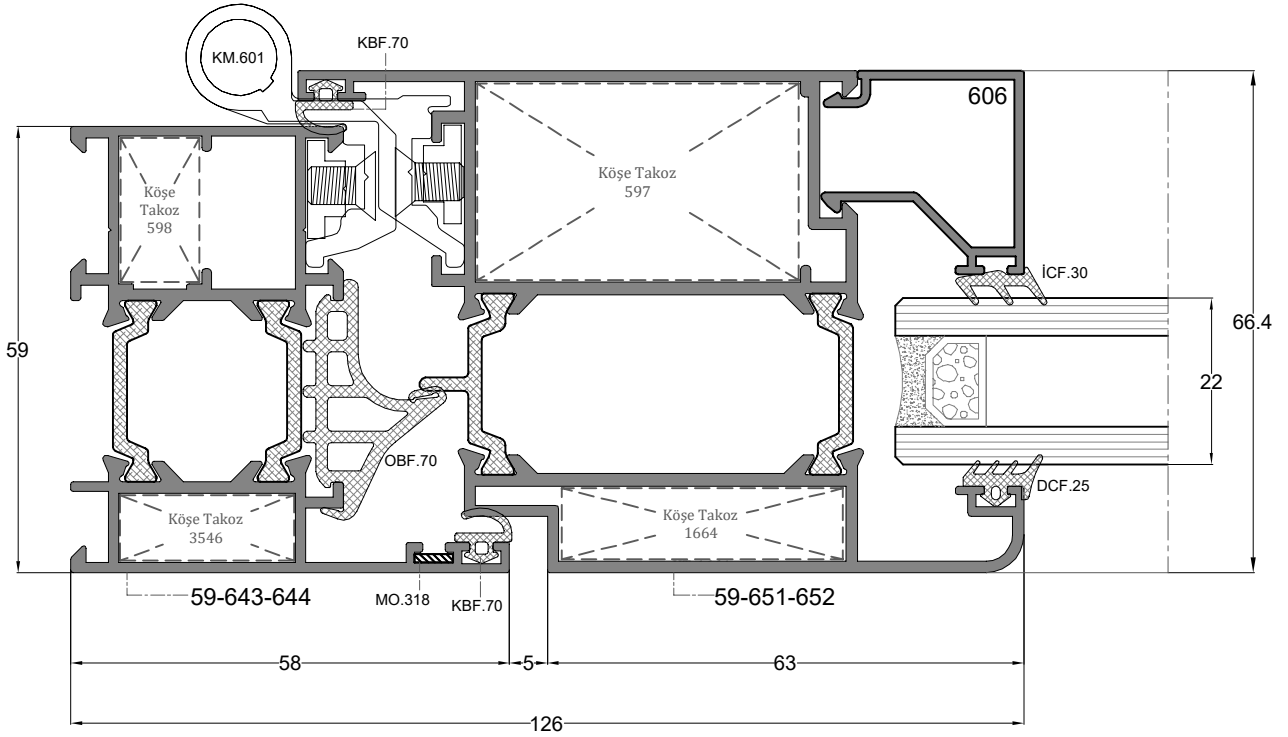


DIŞ
(OUTSIDE)



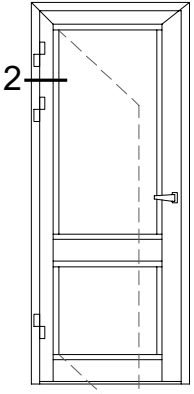
BİNİLİ KAPI DETAY
OVERLAPPING DOOR DETAIL

İÇ
(INSIDE)

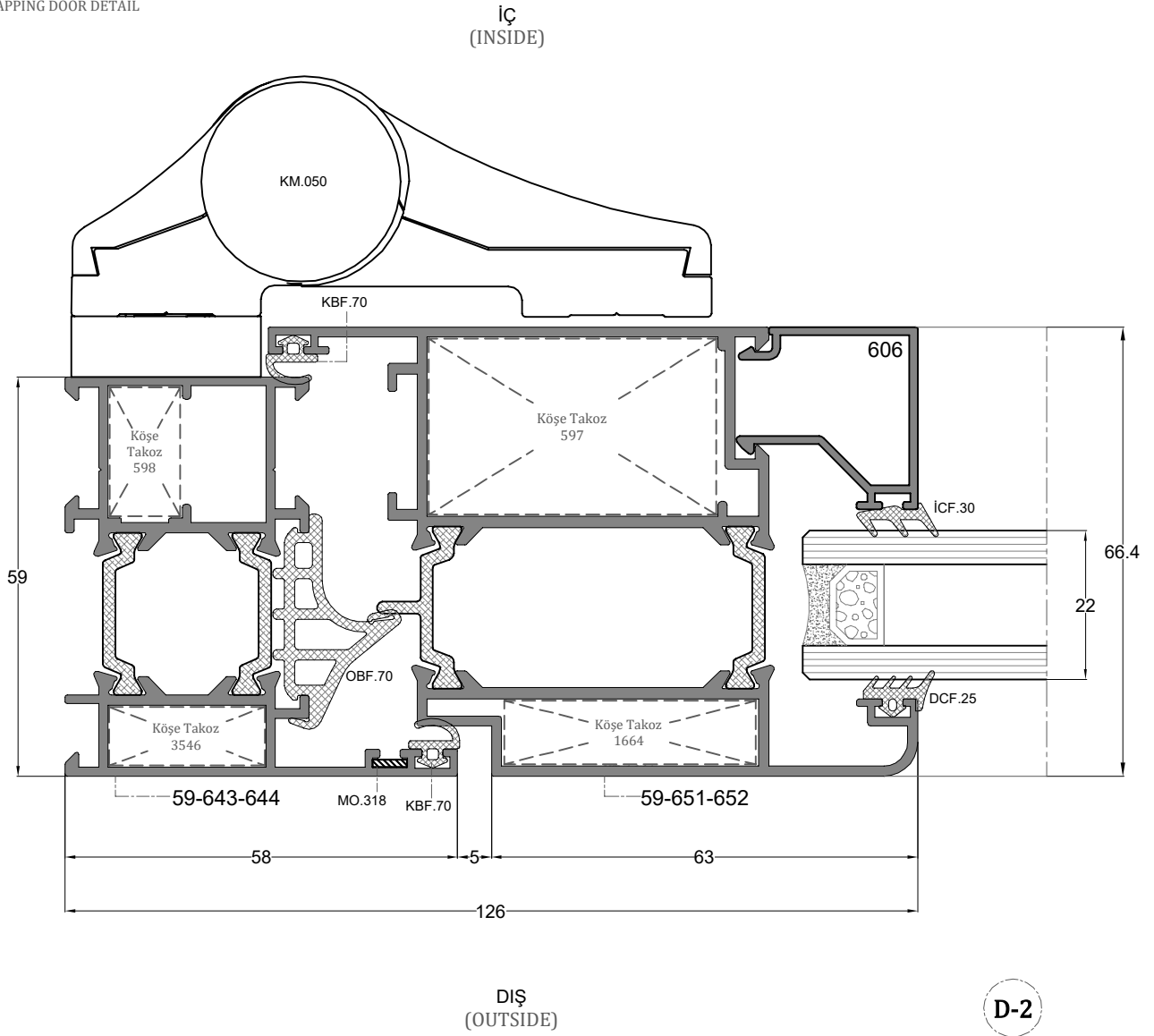


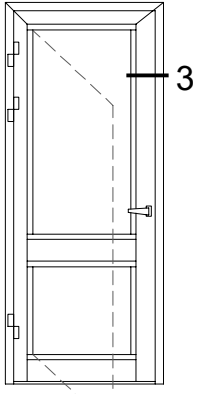
D-1

DIŞ
(OUTSIDE)



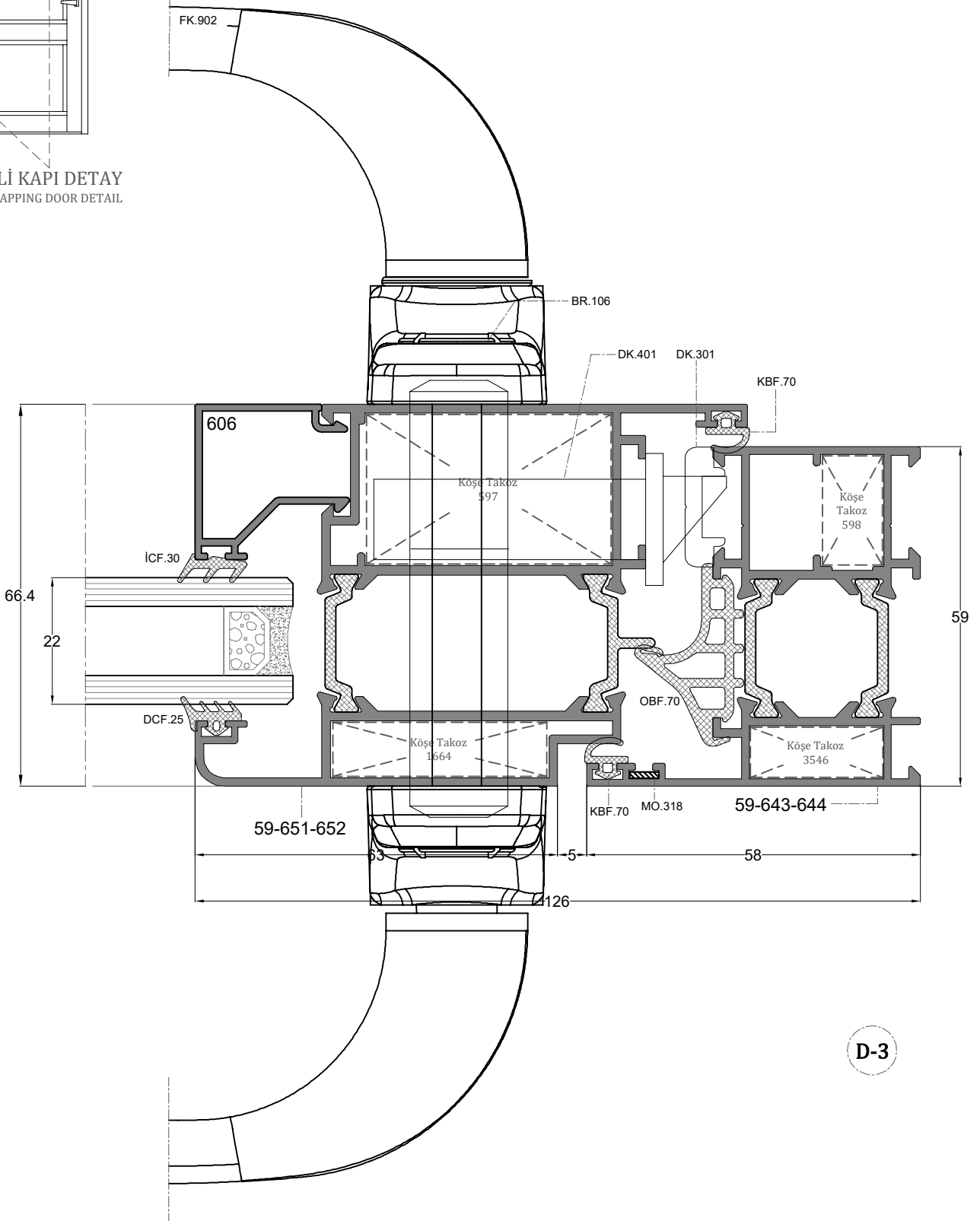
BİNİLİ KAPI DETAY
OVERLAPPING DOOR DETAIL





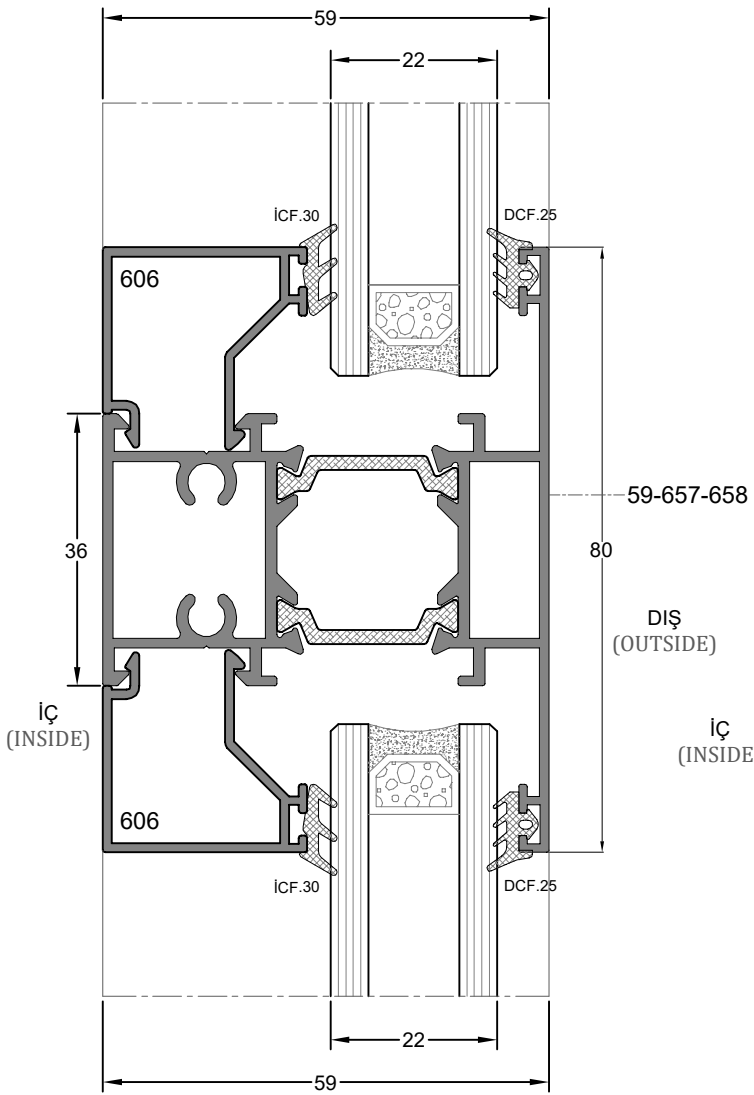
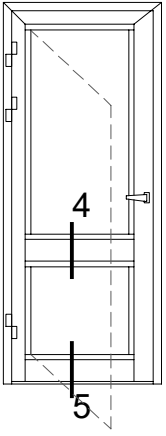
BİNİLİ KAPI DETAY
OVERLAPPING DOOR DETAIL

İÇ
(INSIDE)

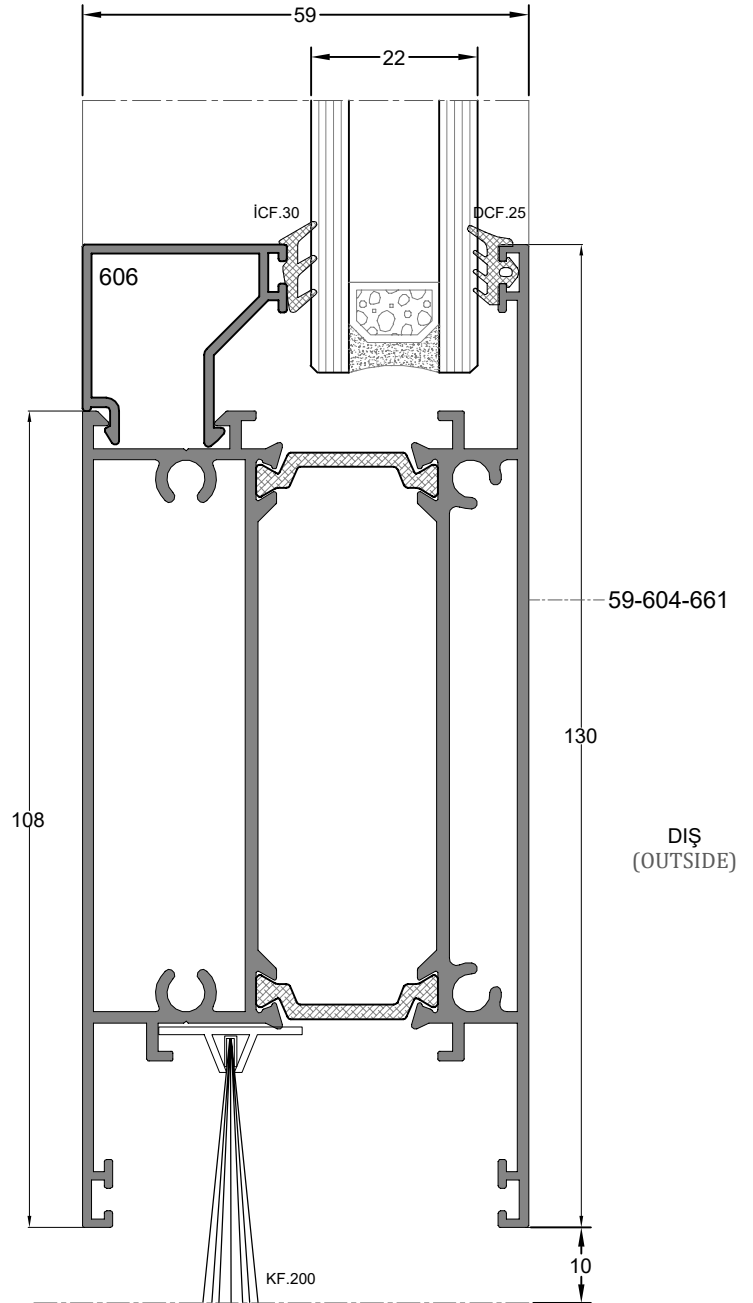


D-3

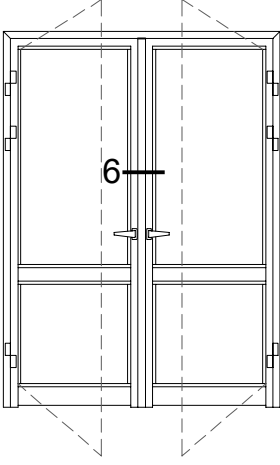
DIŞ
(OUTSIDE)



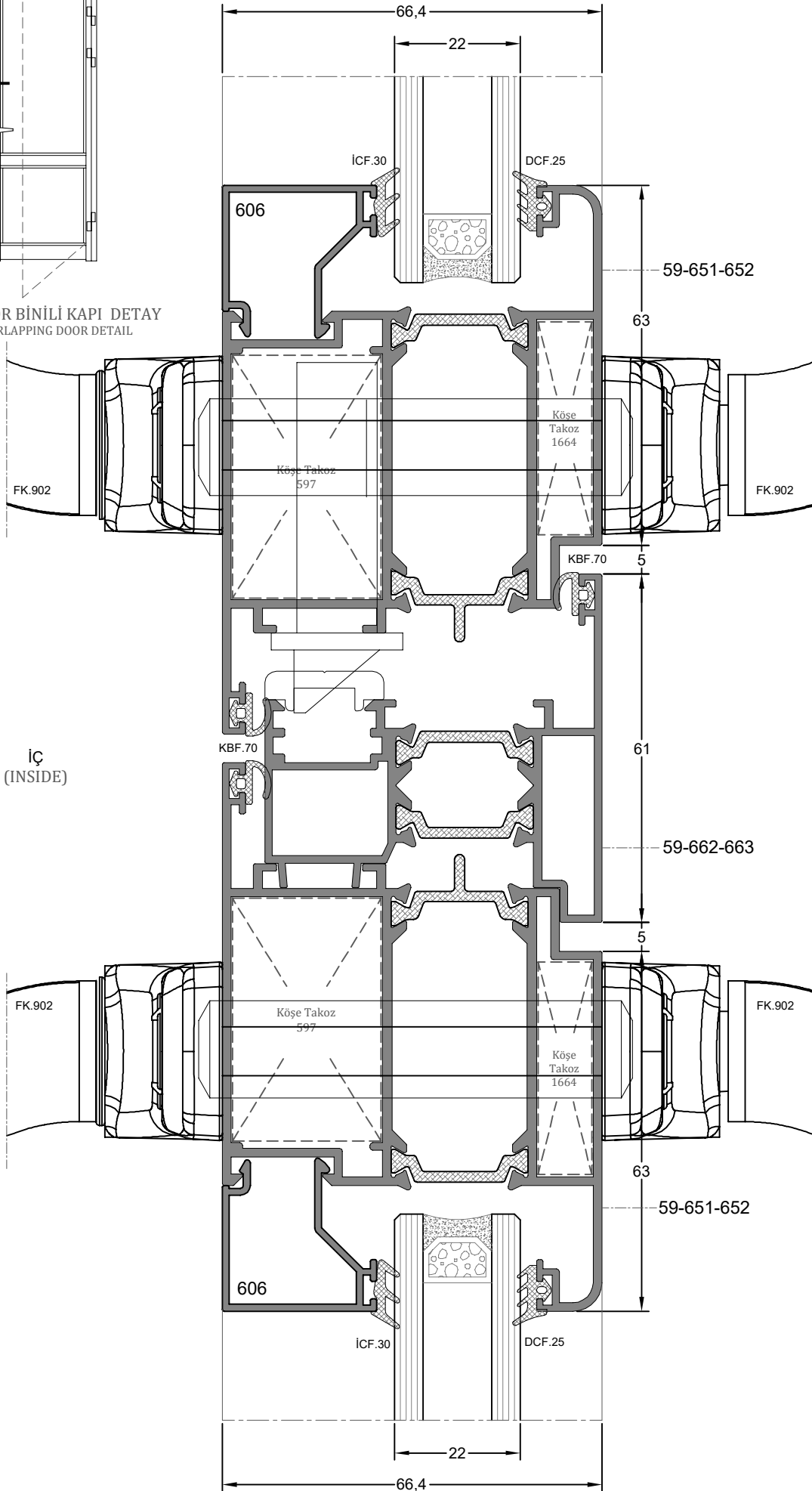
D-4



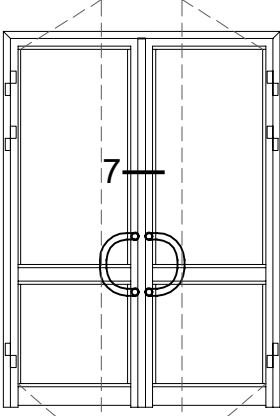
D-5



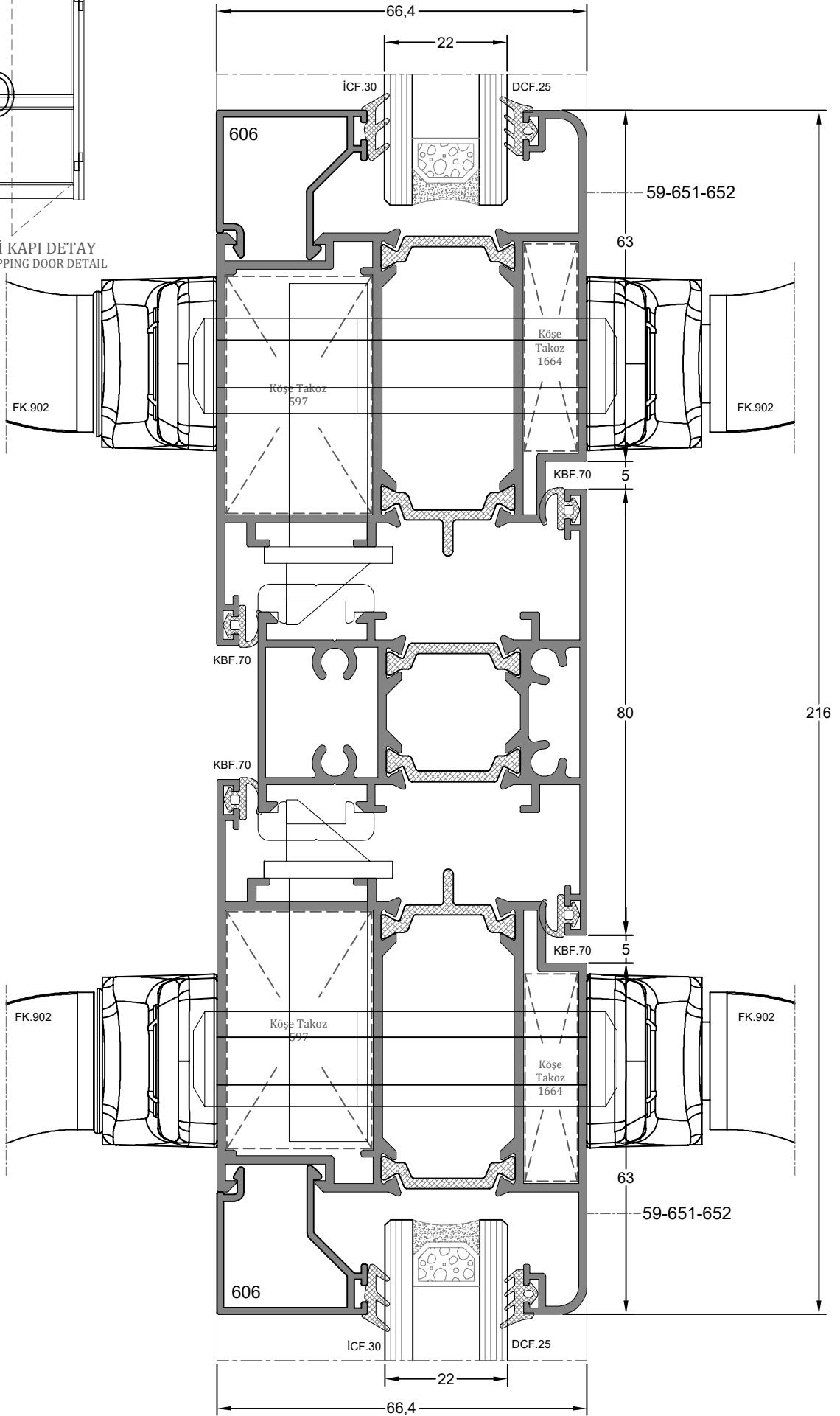
İÇE AÇILIR ADAPTÖR BİNLİ KAPI DETAY
INWARD OPENING OVERLAPPING DOOR DETAIL



D-6

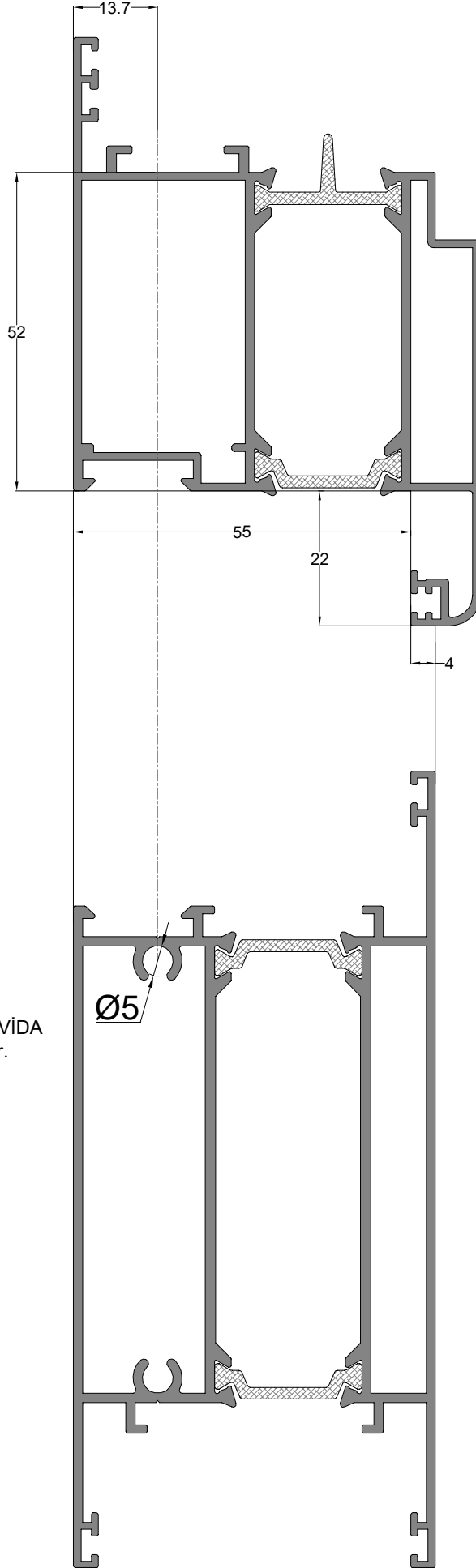


İÇE AÇILIR BİNİLİ KAPI DETAY
INWARD OPENING OVERLAPPING DOOR DETAIL



D-6

ETEK PROFİLİ KERTME ÖLÇÜSÜ
BOTTOM PROFILE NOTCHING DIMENSION



M5.5x50 YSB SAC VİDA
kullanılmaktadır.

