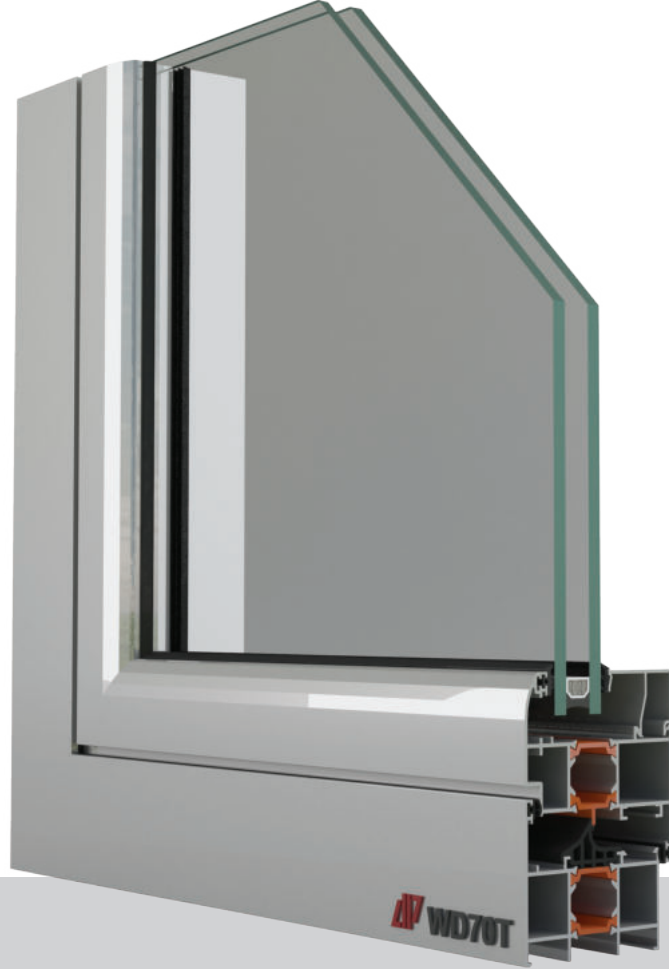
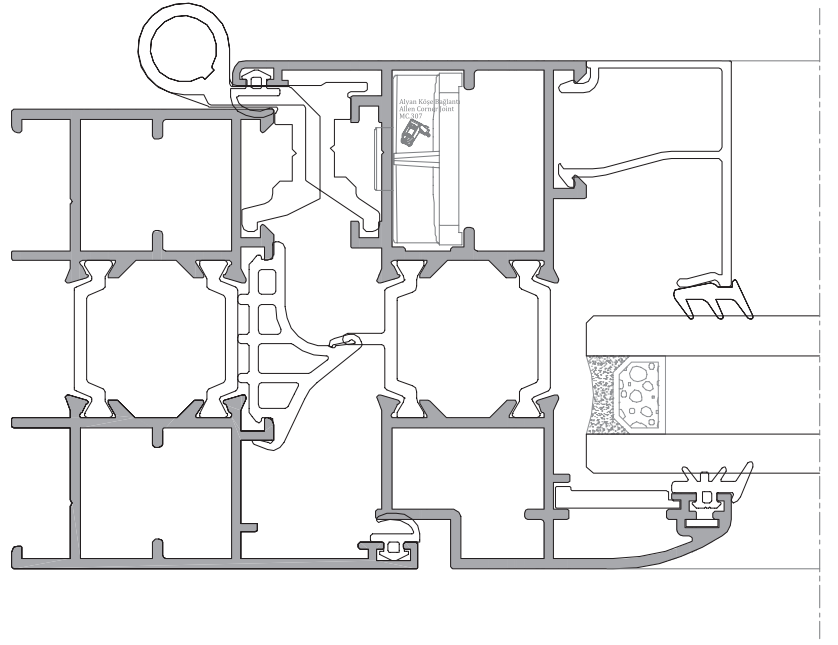
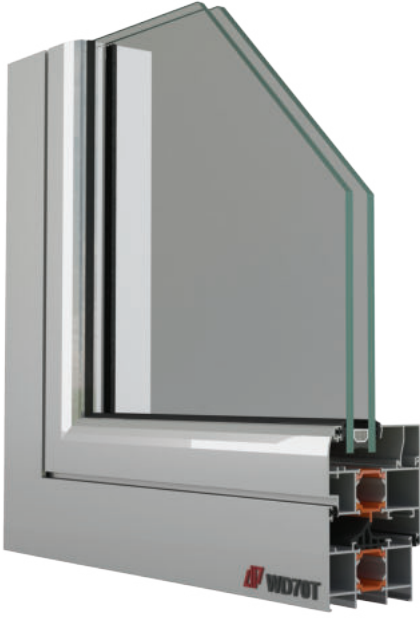




Kapı - Pencere Sistem
Door - Window System



WD70T



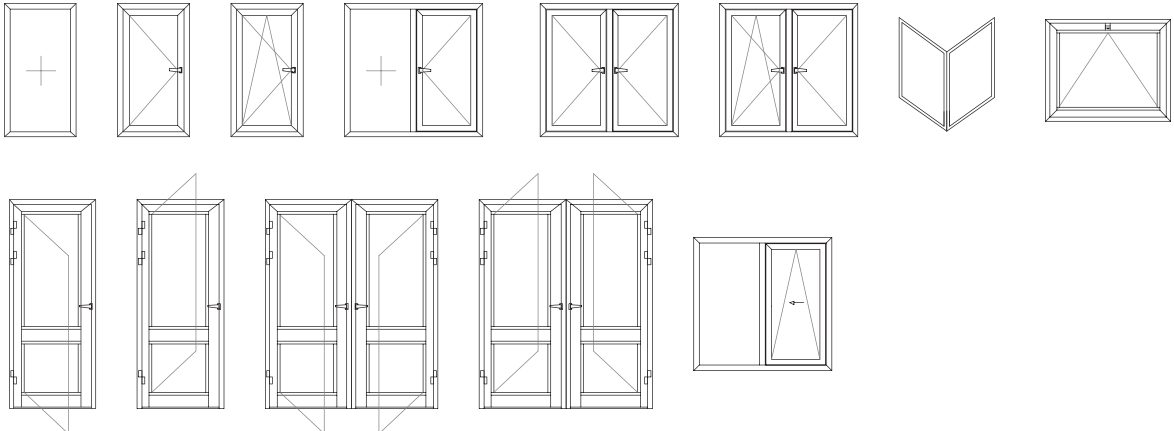
TEKNİK ÖZELLİKLER / TECHNICAL PROPERTIES

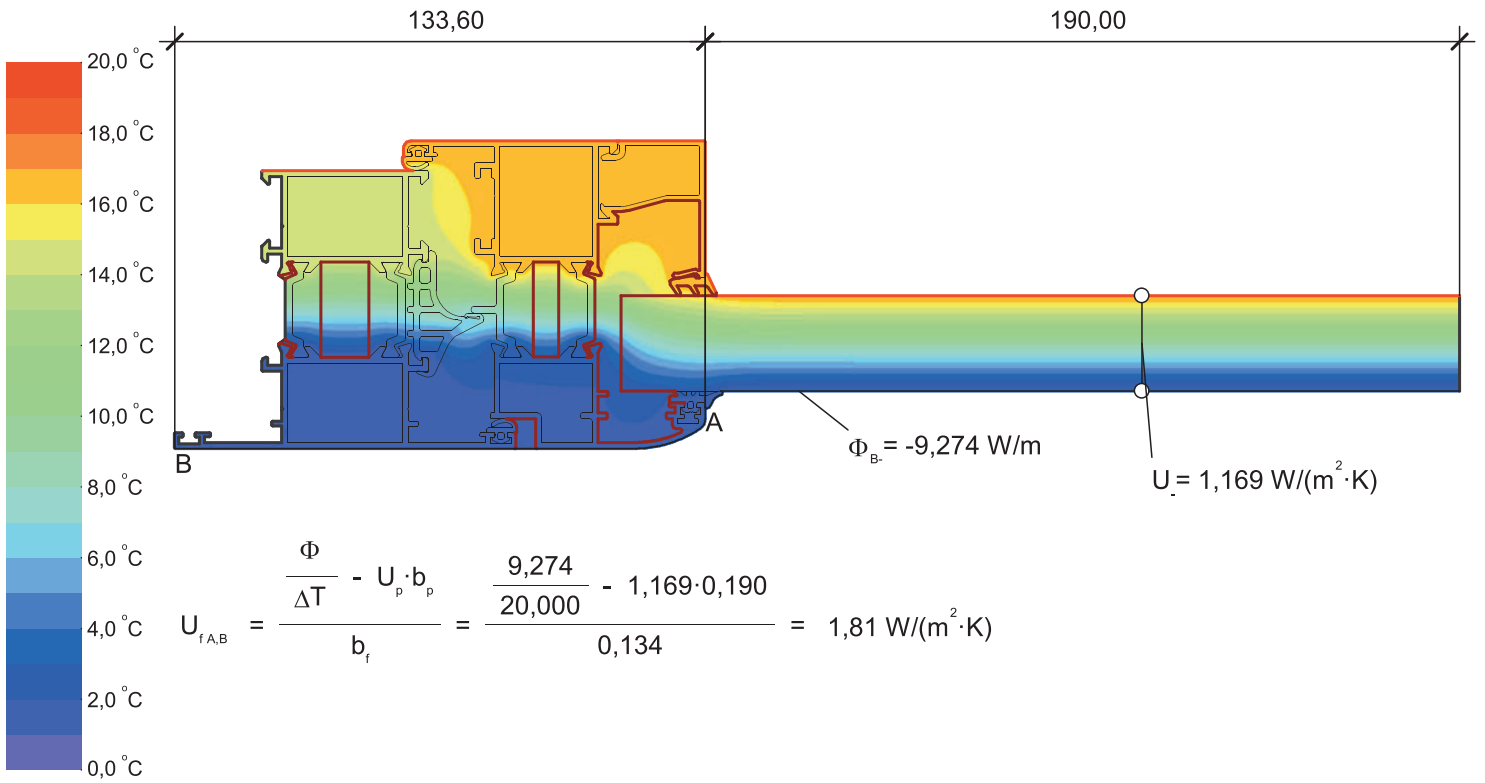
KASA DERİNLİĞİ / FRAME DEPTH	70 mm , 80.5 mm , 91.5 mm
KANAT DERİNLİĞİ / SASH DEPTH	77,5 mm
ET KALINLIĞI / WALL THICKNESS	1.5 mm , 1.8 mm , 2 mm
MİN/MAX CAM KALINLIĞI / MIN/MAX GLASS THICKNESS	16 mm - 45 mm
ISI BARIYER / THERMAL BREAK	24 mm

PERFORMANS DEĞERLERİ / PERFORMANCE VALUES

HAVA GEÇİRGENLİK / AIR PERMEABILITY	EN 12207 : Class 3
SU SIZDIRMAZLIK / WATERTIGHTNESS	EN 12208 : Class 9A
RÜZGAR YÜKÜ / WIND RESISTANCE	EN 12210 : Class C3
ISI YALITIM DEĞERİ / THERMAL INSULATION VALUE (UF)	2.04 - 1.81 W / (m ² . K)

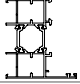
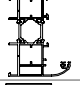
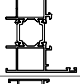
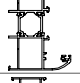
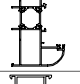
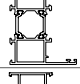
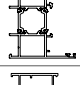
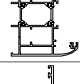
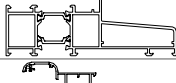
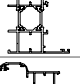
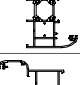
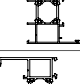
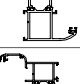
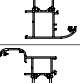
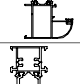
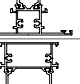
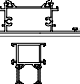
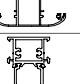
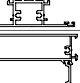
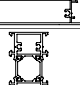
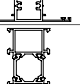

UYGULAMA SEÇENEKLERİ / APPLICATION OPTIONS



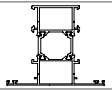
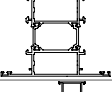
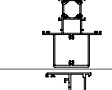
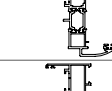
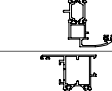
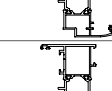
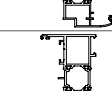
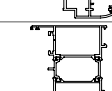
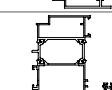
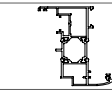
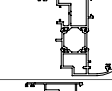
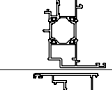
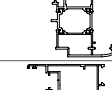
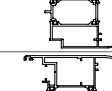
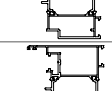
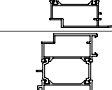
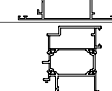
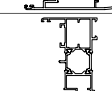
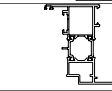
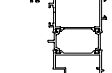



$$U_{f,A,B} = \frac{\frac{\Phi}{\Delta T} - U_p \cdot b_p}{b_f} = \frac{\frac{9,274}{20,000} - 1,169 \cdot 0,190}{0,134} = 1,81 \text{ W}/(\text{m}^2 \cdot \text{K})$$

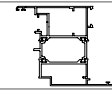

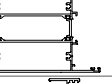
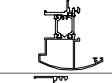
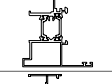
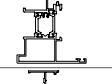
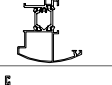
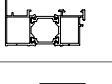


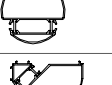

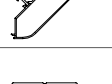
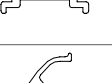
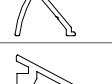

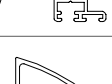

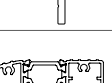
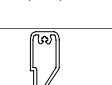
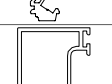

Material	λ [W/(m·K)]	ϵ	Boundary Condition	q [W/m ²]	θ [°C]	R [(m ² ·K)/W]	ϵ
Aluminium (Si Alloys)	160,000	0,900	Epsilon 0.9				0,900
EPDM (ethylene propylene diene monomer)	0,250	0,900	Exterior, frame	0,000	0,040		
Panel	0,035	0,900	Interior, normal, horizontal	20,000	0,130		
Polyamid 6.6 with 25% glass fibre	0,300	0,900	Symmetry/Model section	0,000			
Slightly ventilated air cavity	anisotropic						
Undefined Material	0,010	0,900					
Unventilated air cavity	anisotropic						

PROFİL KESİTİ PROFILE SECTION	PROFİL KODU PROFILE CODE	PROFİL ADI PROFILE NAME	Jx cm ⁴	Jy cm ⁴	AĞIRLIK (kg/m) WEIGHT
	70-7000-7001	KASA PROFİLİ FRAME PROFILE	30,45 cm ⁴	10,01 cm ⁴	1,515 kg/m
	70-7000-7002	KASA PROFİLİ FRAME PROFILE	45,11 cm ⁴	13,50 cm ⁴	1,773 kg/m
	70-7004-7005	KASA PROFİLİ FRAME PROFILE	29,32 cm ⁴	10,00 cm ⁴	1,466 kg/m
	70-7004-7006	KASA PROFİLİ FRAME PROFILE	43,08 cm ⁴	14,62 cm ⁴	1,632 kg/m
	70-7004-7007	KASA PROFİLİ FRAME PROFILE	59,56 cm ⁴	17,81 cm ⁴	1,824 kg/m
	70-8764-11886	KASA PROFİLİ FRAME PROFILE	31,88 cm ⁴	9,40 cm ⁴	1,523 kg/m
	70-6880-6879	KASA PROFİLİ FRAME PROFILE	33,08 cm ⁴	10,95 cm ⁴	1,625 kg/m
	70-7176-7177	KASA PROFİLİ FRAME PROFILE	54,46 cm ⁴	27,87 cm ⁴	2,017 kg/m
	70-8764-12789	GENİŞ KASA PROFİLİ LARGE FRAME PROFILE	111,20 cm ⁴	19,83 cm ⁴	2,180 kg/m
	70-7037-7001	Z KASA PROFİLİ Z FRAME PROFILE	71,49 cm ⁴	45,47 cm ⁴	1,786 kg/m
	70-7037-7002	Z KASA PROFİLİ Z FRAME PROFILE	68,34 cm ⁴	30,87 cm ⁴	2,044 kg/m
	70-7038-7005	Z KASA PROFİLİ Z FRAME PROFILE	46,54 cm ⁴	26,19 cm ⁴	1,737 kg/m
	70-7054-7055	Z KASA PROFİLİ Z FRAME PROFILE	62,24 cm ⁴	29,35 cm ⁴	2,152 kg/m
	70-7038-7006	Z KASA PROFİLİ Z FRAME PROFILE	63,47 cm ⁴	30,68 cm ⁴	1,902 kg/m
	70-7038-7007	Z KASA PROFİLİ Z FRAME PROFILE	127,91 cm ⁴	53,99 cm ⁴	2,095 kg/m
	70-7025-7024	ORTA KAYIT PROFİLİ MULLION PROFILE	34,74 cm ⁴	11,91 cm ⁴	1,664 kg/m
	70-7027-7026	ORTA KAYIT PROFİLİ MULLION PROFILE	42,93 cm ⁴	33,70 cm ⁴	1,989 kg/m
	70-7047-7046	ORTA KAYIT PROFİLİ MULLION PROFILE	58,54 cm ⁴	25,37 cm ⁴	2,129 kg/m
	70-7051-7050	ORTA KAYIT PROFİLİ MULLION PROFILE	44,96 cm ⁴	17,98 cm ⁴	2,083 kg/m
	70-7029-7028	ORTA KAYIT PROFİLİ MULLION PROFILE	56,77 cm ⁴	108,18 cm ⁴	2,542 kg/m
	70-7051-11851	ORTA KAYIT PROFİLİ MULLION PROFILE	54,14 cm ⁴	17,29 cm ⁴	1,907 kg/m
	70-8764-8763	ORTA KAYIT PROFİLİ MULLION PROFILE	35,74 cm ⁴	15,72 cm ⁴	1,680 kg/m


** Her profil için minimum sipariş 300 kg'dır.
** Minimum order quantity is 300 kg per profile.

PROFİL KESİTİ PROFILE SECTION	PROFİL KODU PROFILE CODE	PROFİL ADI PROFILE NAME	Jx cm ⁴	Jy cm ⁴	AĞIRLIK (kg/m) WEIGHT
	70-7045-7044	ORTA KAYIT PROFİLİ MULLION PROFILE	35,00 cm ⁴	19,88 cm ⁴	1,633 kg/m
	70-7057-7056	ORTA KAYIT PROFİLİ MULLION PROFILE	44,14 cm ⁴	33,35 cm ⁴	2,011 kg/m
	70-8764-7175	TAKVİYELİ ORTA KAYIT PROFİLİ REINFORCED MULLION PROFILE	114,88 cm ⁴	26,56 cm ⁴	2,466 kg/m
	70-7008-7009	KANAT PROFİLİ SASH PROFILE	36,51 cm ⁴	8,85 cm ⁴	1,451 kg/m
	70-7016-7009	KANAT PROFİLİ SASH PROFILE	36,00 cm ⁴	8,84 cm ⁴	1,432 kg/m
	70-7010-7011	KANAT PROFİLİ SASH PROFILE	42,25 cm ⁴	15,91 cm ⁴	1,650 kg/m
	70-7017-7011	KANAT PROFİLİ SASH PROFILE	41,55 cm ⁴	15,89 cm ⁴	1,622 kg/m
	70-7048-7049	KANAT PROFİLİ SASH PROFILE	50,68 cm ⁴	17,65 cm ⁴	1,928 kg/m
	70-7012-7013	KANAT PROFİLİ SASH PROFILE	55,51 cm ⁴	41,06 cm ⁴	1,970 kg/m
	70-7015-7014	DIŞA AÇILIR KANAT PROFİLİ OUTWARD OPENING SASH PROFILE	50,37 cm ⁴	41,06 cm ⁴	1,970 kg/m
	70-7018-7011	PVC KANALLI KANAT PROFİLİ PVC GROOVED SASH PROFILE	42,72 cm ⁴	15,46 cm ⁴	1,678 kg/m
	70-7058-7059	PVC KANALLI KANAT PROFİLİ PVC GROOVED SASH PROFILE	48,37 cm ⁴	16,54 cm ⁴	1,860 kg/m
	70-7018-11824	PVC KANALLI KANAT PROFİLİ PVC GROOVED SASH PROFILE	41,03 cm ⁴	12,90 cm ⁴	1,572 kg/m
	70-7041-7042	PVC KANALLI KANAT PROFİLİ PVC GROOVED SASH PROFILE	40,36 cm ⁴	24,82 cm ⁴	1,834 kg/m
	70-11828-7013	PVC KANALLI KANAT PROFİLİ PVC GROOVED SASH PROFILE	53,41 cm ⁴	40,77 cm ⁴	2,008 kg/m
	70-11829-7015	PVC KANALLI KANAT PROFİLİ PVC GROOVED SASH PROFILE	51,66 cm ⁴	40,77 cm ⁴	2,007 kg/m
	70-7019-7013	PVC KANALLI KANAT PROFİLİ PVC GROOVED SASH PROFILE	52,77 cm ⁴	40,78 cm ⁴	2,015 kg/m
	70-7015-11826	DIŞA AÇILIR PVC KANALLI KANAT PROFİLİ OUTWARD OPENING PVC GROOVED SASH PROFILE	49,05 cm ⁴	36,17 cm ⁴	1,860 kg/m
	70-7015-7020	DIŞA AÇILIR PVC KANALLI KANAT PROFİLİ OUTWARD OPENING PVC GROOVED SASH PROFILE	42,93 cm ⁴	33,70 cm ⁴	2,015 kg/m
	70-7010-11824	KANAT PROFİLİ SASH PROFILE	40,50 cm ⁴	13,24 cm ⁴	1,570 kg/m
	70-7017-11824	KANAT PROFİLİ SASH PROFILE	41,55 cm ⁴	15,89 cm ⁴	1,537 kg/m
	70-7012-11825	KANAT PROFİLİ SASH PROFILE	53,41 cm ⁴	40,77 cm ⁴	1,880 kg/m







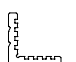











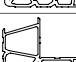

** Her profil için minimum sipariş 300 kg'dır.
** Minimum order quantity is 300 kg per profile.

PROFİL KESİTİ PROFILE SECTION	PROFİL KODU PROFILE CODE	PROFİL ADI PROFILE NAME	Jx cm ⁴	Jy cm ⁴	AĞIRLIK (kg/m) WEIGHT
	70-11828-11825	KANAT PROFİLİ SASH PROFILE	51,62 cm ⁴	36,06 cm ⁴	1,930 kg/m
	70-7030-7028	ETEK PROFİLİ BOTTOM PROFILE	-	-	2,647 kg/m
	70-12096-7030	ETEK PROFİLİ BOTTOM PROFILE	-	-	2,697 kg/m
	70-11927-7031	EURO KANALLI ADAPTÖR PROFİLİ EURO GROOVED ADAPTER PROFILE	-	-	1,349 kg/m
	70-11927-11827	EURO KANALLI ADAPTÖR PROFİLİ EURO GROOVED ADAPTER PROFILE	-	-	1,290 kg/m
	70-11926-11827	PVC KANALLI ADAPTÖR PROFİLİ PVC GROOVED ADAPTER PROFILE	-	-	1,280 kg/m
	70-11926-7031	PVC KANALLI ADAPTÖR PROFİLİ PVC GROOVED ADAPTER PROFILE	-	-	1,340 kg/m
	70-10629-10628	DIŞA AÇILIR ADAPTÖR PROFİLİ OUTWARD OPENING ADAPTER PROFILE	-	-	1,304 kg/m
	7180	ADAPTÖR PROFİLİ ADAPTER PROFILE	-	-	0,244 kg/m
	70-1734-1735	KÖŞE DÖNÜŞ PROFİLİ CORNER PROFILE	32,51 cm ⁴	26,21 cm ⁴	1,481 kg/m
	55-1734-1735	KÖŞE DÖNÜŞ PROFİLİ CORNER PROFILE	51,66 cm ⁴	40,77 cm ⁴	1,465 kg/m
	70-7033-7035	KÖŞE DÖNÜŞ PROFİLİ CORNER PROFILE	62,35 cm ⁴	62,35 cm ⁴	1,894 kg/m
	70-7033-7034	KÖŞE DÖNÜŞ PROFİLİ CORNER PROFILE	26,72 cm ⁴	26,72 cm ⁴	1,531 kg/m
	8241	TİJ PROFİLİ STEM BAR PROFILE	-	-	0,099 kg/m
	7021	DAMLALIK PROFİLİ SILL PROFILE	-	-	0,140 kg/m
	1011	DAMLALIK PROFİLİ SILL PROFILE	-	-	0,402 kg/m
	12375	DAMLALIK PROFİLİ SILL PROFILE	-	-	0,326 kg/m
	4242	DAMLALIK PROFİLİ SILL PROFILE	-	-	0,094 kg/m
	10923	KANAT ALTI KAPAMA PROFİLİ SUB-SASH COVER PROFILE	-	-	0,295 kg/m
	70-7178-7179	KAPI ALTI EŞİK PROFİLİ DOOR THRESHOLD PROFILE	-	-	1,019 kg/m
	7060	ORTA KAYIT BAĞLANTI PROFİLİ MULLION CONNECTION PROFILE	-	-	1,007 kg/m
	7023	CAM ÇITASI (24 mm) GLAZING BEAD (24 mm)	-	-	0,294 kg/m

** Her profil için minimum sipariş 300 kg'dır.
** Minimum order quantity is 300 kg per profile.


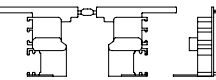
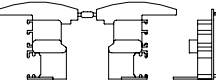
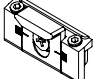

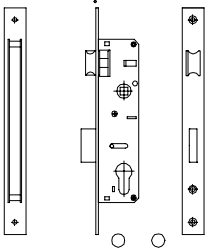
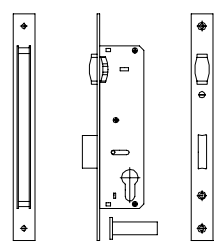
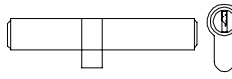
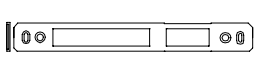

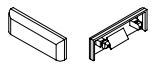
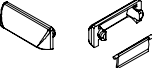

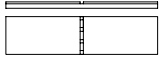



PROFİL KESİTİ PROFILE SECTION	PROFİL KODU PROFILE CODE	PROFİL ADI PROFILE NAME	Jx cm ⁴	Jy cm ⁴	AĞIRLIK (kg/m) WEIGHT
	7036	CAM ÇİTASI (30 mm) GLAZING BEAD (30 mm)	-	-	0,319 kg/m
	676	CAM ÇİTASI (34 mm) GLAZING BEAD (34 mm)	-	-	0,331 kg/m
	7043	CAM ÇİTASI (38 mm) GLAZING BEAD (38 mm)	-	-	0,336 kg/m
	3537	CAM ÇİTASI (41,5 mm) GLAZING BEAD (41,5 mm)	-	-	0,367 kg/m
	1749	CAM ÇİTASI (38,5 mm) GLAZING BEAD (38,5 mm)	-	-	0,356 kg/m
	1747	CAM ÇİTASI (34,5 mm) GLAZING BEAD (34,5 mm)	-	-	0,340 kg/m
	3536	CAM ÇİTASI (31,5 mm) GLAZING BEAD (31,5 mm)	-	-	0,329 kg/m
	3636	CAM ÇİTASI (29,5 mm) GLAZING BEAD (29,5 mm)	-	-	0,321 kg/m
	1966	CAM ÇİTASI (27,5 mm) GLAZING BEAD (27,5 mm)	-	-	0,314 kg/m
	2236	CAM ÇİTASI (26,5 mm) GLAZING BEAD (26,5 mm)	-	-	0,310 kg/m
	1949	CAM ÇİTASI (25,5 mm) GLAZING BEAD (25,5 mm)	-	-	0,306 kg/m
	1745	CAM ÇİTASI (21,5 mm) GLAZING BEAD (21,5 mm)	-	-	0,292 kg/m
	3539	CAM ÇİTASI (17 mm) GLAZING BEAD (17 mm)	-	-	0,277 kg/m
	1699	CAM ÇİTASI (19,5 mm) GLAZING BEAD (19,5 mm)	-	-	0,285 kg/m
	1698	CAM ÇİTASI (13,5 mm) GLAZING BEAD (13,5 mm)	-	-	0,270 kg/m
	1948	CAM ÇİTASI (7,5 mm) GLAZING BEAD (7,5 mm)	-	-	0,235 kg/m
	1121	T BAĞLANTI PROFİLİ T CONNECTION PROFILE	-	-	0,233 kg/m
	1123	T BAĞLANTI PROFİLİ T CONNECTION PROFILE	-	-	0,355 kg/m
	1035	T BAĞLANTI PROFİLİ T CONNECTION PROFILE	-	-	0,240 kg/m
	1139	T BAĞLANTI PROFİLİ T CONNECTION PROFILE	-	-	0,236 kg/m
	6414	T BAĞLANTI PROFİLİ T CONNECTION PROFILE	-	-	0,175 kg/m
	3917	T BAĞLANTI PROFİLİ T CONNECTION PROFILE	-	-	0,162 kg/m

** Her profil için minimum sipariş 300 kg'dır.
** Minimum order quantity is 300 kg per profile.

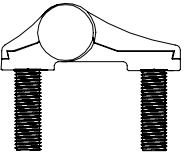
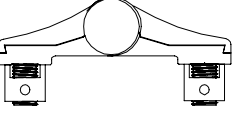
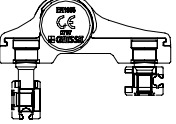
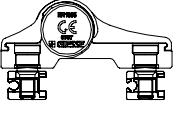
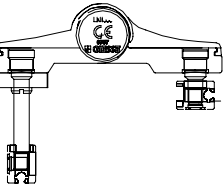
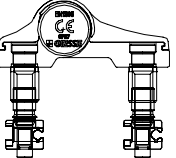
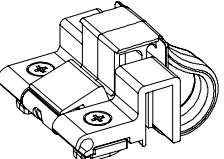
PROFİL KESİTİ PROFILE SECTION	PROFİL KODU PROFILE CODE	PROFİL ADI PROFILE NAME	Jx cm ⁴	Jy cm ⁴	AĞIRLIK (kg/m) WEIGHT
	3832	T BAĞLANTI PROFİLİ T CONNECTION PROFILE	-	-	0,175 kg/m
	3818	T BAĞLANTI PROFİLİ T CONNECTION PROFILE	-	-	0,210 kg/m
	7039	T BAĞLANTI PROFİLİ T CONNECTION PROFILE	-	-	0,260 kg/m
	5788	T BAĞLANTI PROFİLİ T CONNECTION PROFILE	-	-	0,205 kg/m
	10012	PERVAZ PROFİLİ SILL PROFILE	-	-	0,805 kg/m
	553	PERVAZ PROFİLİ SILL PROFILE	-	-	0,656 kg/m
	413	KÖŞE TAKOZ PROFİLİ CORNER WEDGE PROFILE	-	-	3,667 kg/m
	5022	KÖŞE TAKOZ PROFİLİ CORNER WEDGE PROFILE	-	-	2,245 kg/m
	1661	KÖŞE TAKOZ PROFİLİ CORNER WEDGE PROFILE	-	-	3,629 kg/m
	1662	KÖŞE TAKOZ PROFİLİ CORNER WEDGE PROFILE	-	-	2,576 kg/m
	1663	KÖŞE TAKOZ PROFİLİ CORNER WEDGE PROFILE	-	-	3,526 kg/m
	1664	KÖŞE TAKOZ PROFİLİ CORNER WEDGE PROFILE	-	-	3,991 kg/m
	1695	KÖŞE TAKOZ PROFİLİ CORNER WEDGE PROFILE	-	-	2,540 kg/m
	3088	KÖŞE TAKOZ PROFİLİ CORNER WEDGE PROFILE	-	-	3,498 kg/m
	3546	KÖŞE TAKOZ PROFİLİ CORNER WEDGE PROFILE	-	-	3,357 kg/m
	3698	KÖŞE TAKOZ PROFİLİ CORNER WEDGE PROFILE	-	-	4,604 kg/m
	7022	KÖŞE TAKOZ PROFİLİ CORNER WEDGE PROFILE	-	-	3,952 kg/m
	7040	KÖŞE TAKOZ PROFİLİ CORNER WEDGE PROFILE	-	-	3,998 kg/m
	3547	KÖŞE TAKOZ PROFİLİ CORNER WEDGE PROFILE	-	-	4,884 kg/m
	1398	KÖŞE TAKOZ PROFİLİ CORNER WEDGE PROFILE	-	-	5,089 kg/m

** Her profil için minimum sipariş 300 kg'dır.
** Minimum order quantity is 300 kg per profile.

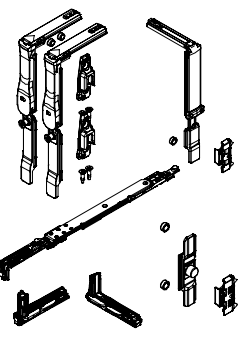
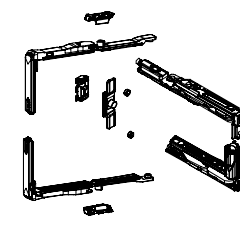
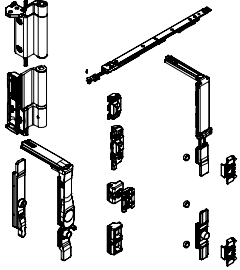
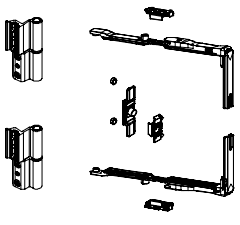
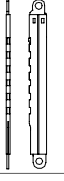
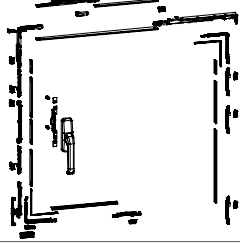
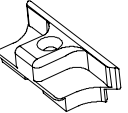
AKSESUAR ACCESSORY	STOK KODU REFERENCE CODE	AKSESUAR ADI DESCRIPTION	AKSESUAR KODU PRODUCT CODE	PAKET PACK
	03 010438	KASA KANAT FİTİLİ FRAME SASH GASKET	WD70T-KBF.70	303 mt / paket 10 kg
	03 070124	İÇ CAM FİTİLİ INNER GLAZING GASKET	WD70T-DCF.75	150 mt / paket 10 kg
	03 070122	DIŞ CAM FİTİLİ OUTER GLAZING GASKET	WD70T-DCF.73	200 mt / paket 10 kg
	03 011230	İÇ CAM FİTİLİ INNER GLAZING GASKET	WD70T-İCF.30	330 mt / paket 10 kg
	03 011231	İÇ CAM FİTİLİ INNER GLAZING GASKET	WD70T-İCF.40	205 mt / paket 10 kg
	03 010732	İÇ CAM FİTİLİ INNER GLAZING GASKET	WD70T-İCF.50	175 mt / paket 10 kg
	03 011236	İÇ CAM FİTİLİ INNER GLAZING GASKET	WD70T-İCF.23	210 mt / paket 10 kg
	03 011237	İÇ CAM FİTİLİ INNER GLAZING GASKET	WD70T-İCF.45	225 mt / paket 10 kg
	03 011036	ORTA BİNI FİTİLİ MIDDLE GASKET	WD70T-OBF.70	40 mt / paket 10 kg
	03 050712	FİRÇA FİTİLİ (6.8 - 10 mm) WEATHER STRIP (6.8 - 10 mm)	WD70T-FÇ.712	200 mt / 1 pk
	03 070304	VUKANİZE KÖŞE BAĞLANTI VULCANIZED CORNER CONNECTION	WD70T-KVF.70	20 ad / 1 pk
	01 130306	ALYAN KÖŞE BAĞLANTI ALLEN CORNER JOINT	WD70T-MC.306	250 ad / 1 pk
	01 130307	ALYAN KÖŞE BAĞLANTI ALLEN CORNER JOINT	WD70T-MC.307	250 ad / 1 pk
	01 130338	ALYAN KÖŞE BAĞLANTI ALLEN CORNER JOINT	WD70T-MC.338	250 ad / 1 pk
	01 130339	ALYAN KÖŞE BAĞLANTI ALLEN CORNER JOINT	WD70T-MC.339	250 ad / 1 pk
	01 130336	ALYAN KÖŞE BAĞLANTI ALLEN CORNER JOINT	WD70T-MC.336	250 ad / 1 pk
	01 130337	ALYAN KÖŞE BAĞLANTI ALLEN CORNER JOINT	WD70T-MC.337	250 ad / 1 pk
	01 130318	KÖŞE GÖNYE CORNER BRACKET	WD70T-KG.318	1000 ad / 1 pk
	01 130314	KÖŞE ÇAVUŞU CORNER CONNECTION	WD70T-FJ.314	250 ad / 1 pk
	01 120100	İSPANYOLET PİMİ (EURO KANAL) ESPAÑOLETTE PIN (EURO GROOVED)	WD70T-TP.100	100 ad / 1 pk

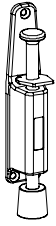
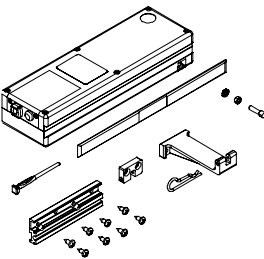
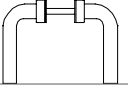
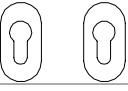

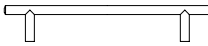
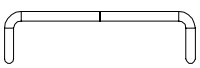


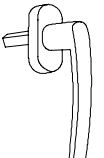
AKSESUAR ACCESSORY	STOK KODU REFERENCE CODE	AKSESUAR ADI DESCRIPTION	AKSESUAR KODU PRODUCT CODE	PAKET PACK
	01 110400	DAMLALIK KAPAK SILL COVER	WD70T-DK.50	1 tk / 1 pk
	01 110252	SİSTEM WD70T ADAPTÖR KAPAĞI (DÜZ) SYSTEM WD70T ADAPTER COVER (STRAIGHT)	WD70T-ADK.252	100 tk / 1 pk
	01 110250	SİSTEM WD70T ADAPTÖR KAPAĞI (OVAL) SYSTEM WD70T ADAPTER COVER (CURVED)	WD70T-ADK.250	100 tk / 1 pk
	01 120201	AYARLI İSPANYOLET KARŞILIĞI (SETSKURLU) ADJUSTABLE ESPAGNOLETTE STRIKER (PINNED)	WD70T-TPK.201	100 ad / 1 pk
	01 120217	PVC KANALLI İSPANYOLET KARŞILIĞI PVC GROOVED ESPAGNOLETTE STRIKER(SCREWED)	WD70T-PK.217	100 ad / 1 pk
	05 010401	153/35 mm DİLLİ KİLİT BOLT LOCK	WD70T-DK.401	30 ad / 1 pk
	05 010405	155/35 mm MAKARALI KİLİT ROLLED LOCK	WD70T-MK.405	30 ad / 1 pk
	05 011106	96 mm BAREL 96 mm CYLINDER	WD70T-BR.106	24 ad / 1 pk
	01 060210	OVAL SERİ KİLİT KARŞILIĞI (DİLLİ) OVAL SERIES LOCK STRIKER (BOLT)	WD70T-KK.210	50 ad / 1 pk
	01 060211	OVAL SERİ KİLİT KARŞILIĞI (MAKARALI) OVAL SERIES LOCK STRIKER (ROLLED)	WD70T-KK.211	50 ad / 1 pk
	04 010115	SABİT PERDELİ YAĞMUR TAHLİYE KAPAK WATER DRAIN COVER (FIXED)	WD70T-TK.115	1000 ad / 1 pk
	04 010112	HAREKETLİ PERDELİ YAĞMUR TAHLİYE KAPAK WATER DRAIN COVER (MOVEABLE)	WD70T-TK.112	1000 ad / 1 pk
	01 150200	ALÜMİNYUM KAPI ALTI FIRÇASI ALUMINIUM DOORBASE BRUSH	WD70T-KF.200	100 ad / 1 pk
	06 140203	CAM TAKOĞU (3X20X80 mm) GLAZING WEDGE (3X20X80 mm)	WD70T-CT.203	1000 ad / 1 pk
	06 140208	CAM TAKOĞU (5X20X80 mm) GLAZING WEDGE (5X20X80 mm)	WD70T-CT.208	1000 ad / 1 pk
	06 140210	CAM TAKOĞU (5X28X80 mm) GLAZING WEDGE (5X28X80 mm)	WD70T-CT.210	1000 ad / 1 pk
	11 010200	Ø3.9X13 mm YSB M.U.V Ø3.9X13 mm SELF DRILLING CURVED TOP SCREW	WD70T-SC.200	1000 ad / 1 pk

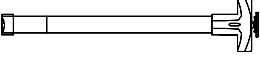
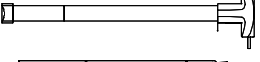
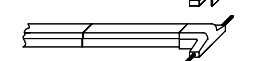


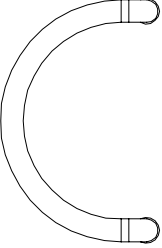
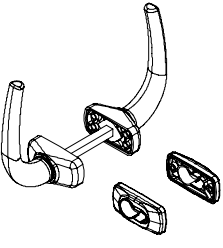
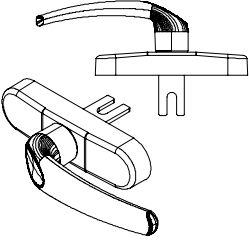

AKSESUAR ACCESSORY	STOK KODU REFERENCE CODE	AKSESUAR ADI DESCRIPTION	AKSESUAR KODU PRODUCT CODE	PAKET PACK
	01 011005	PİVOT MENTEŞE (ELOKSAL) PIVOT HINGE (ANODIZED)	WD70T-PM.1005	1 ad / 1 pk
	01 011006	PİVOT MENTEŞE (BEYAZ) PIVOT HINGE (WHITE)	WD70T-PM.1006	1 ad / 1 pk
	01 011007	PİVOT MENTEŞE (RENKLİ) PIVOT HINGE (COLORED)	WD70T-PM.1007	1 ad / 1 pk
	01 011301	OVAL SERİ PENCERE MENTEŞE (ELOKSALLI) OVAL SERIES WINDOW HINGE (ANODIZED)	WD50T-PM.301	10 ad / 1 pk
	01 011302	OVAL SERİ PENCERE MENTEŞE (BEYAZ) OVAL SERIES WINDOW HINGE (WINDOW)	WD50T-PM.302	10 ad / 1 pk
	01 011303	OVAL SERİ PENCERE MENTEŞE (RENKLİ) OVAL SERIES WINDOW HINGE (COLORED)	WD50T-PM.303	10 ad / 1 pk
	01 011601	OVAL SERİ KAPI MENTEŞE (ELOKSALLI) OVAL SERIES DOOR HINGE (ANODIZED)	WD50T-KM.601	10 ad / 1 pk
	01 011602	OVAL SERİ KAPI MENTEŞE (BEYAZ) OVAL SERIES DOOR HINGE (WHITE)	WD50T-KM.602	10 ad / 1 pk
	01 011603	OVAL SERİ KAPI MENTEŞE (RENKLİ) OVAL SERIES DOOR HINGE (COLORED)	WD50T-KM.603	10 ad / 1 pk
	01 090650	PVC KANALLI TEK AÇILIM MENTEŞE TAKIMI (9/18) PVC GROOVED CASEMENT HINGE (9/18)	WD70T-PM.650	10 ad / 1 pk
	01 011120	AYARLI KAPI MENTEŞESİ ADJUSTABLE DOOR HINGE	WD70T-AKM.120	2 ad / 1 pk
	01 011121	AYARLI KAPI MENTEŞESİ ADJUSTABLE DOOR HINGE	WD70T-AKM.121	2 ad / 1 pk
	01 011122	AYARLI KAPI MENTEŞESİ ADJUSTABLE DOOR HINGE	WD70T-AKM.122	2 ad / 1 pk
	01 011050	İÇE VE DIŞA AÇILIR BİNİLİ KAPI MENTEŞE (ELOKSALLI) INWARD AND OUTWARD OPENING HINGE (ANODIZED)	WD70T-KM.050	1 ad / 1 pk
	01 011051	İÇE VE DIŞA AÇILIR BİNİLİ KAPI MENTEŞE (BEYAZ) INWARD AND OUTWARD OPENING HINGE (WHITE)	WD70T-KM.051	1 ad / 1 pk
	01 011052	İÇE VE DIŞA AÇILIR BİNİLİ KAPI MENTEŞE (RENKLİ) INWARD AND OUTWARD OPENING HINGE (COLORED)	WD70T-KM.052	1 ad / 1 pk
	01 011055	HEMYÜZ İÇE AÇILIR KAPI MENTEŞE (ELOKSALLI) SYMMETRICAL INWARD OPENING HINGE (ANODIZED)	WD70T-KM.055	1 ad / 1 pk
	01 011056	HEMYÜZ İÇE AÇILIR KAPI MENTEŞE (BEYAZ) SYMMETRICAL INWARD OPENING HINGE (WHITE)	WD70T-KM.056	1 ad / 1 pk
	01 011057	HEMYÜZ İÇE AÇILIR KAPI MENTEŞE (RENKLİ) SYMMETRICAL INWARD OPENING HINGE (COLORED)	WD70T-KM.057	1 ad / 1 pk

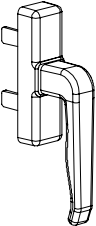


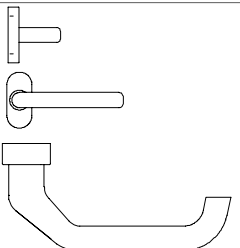
AKSESUAR ACCESSORY	STOK KODU REFERENCE CODE	AKSESUAR ADI DESCRIPTION	AKSESUAR KODU PRODUCT CODE	PAKET PACK
	01 011060	HEMYÜZ DIŞA AÇILIR KAPI MENTEŞE (ELOKSALLI) SYMMETRICAL OUTWARD OPENING HINGE (ANODIZED)	WD70T-KM.060	1 ad / 1 pk
	01 011061	HEMYÜZ DIŞA AÇILIR KAPI MENTEŞE (BEYAZ) SYMMETRICAL OUTWARD OPENING HINGE (WHITE)	WD70T-KM.061	1 ad / 1 pk
	01 011062	HEMYÜZ DIŞA AÇILIR KAPI MENTEŞE (RENKLİ) SYMMETRICAL OUTWARD OPENING HINGE (COLORED)	WD70T-KM.062	1 ad / 1 pk
	01 011065	DIŞA AÇILIR ADAPTÖRLÜ BİNİLİ KAPI MENTEŞE (ELOKSALLI) OUTWARD OPENING OVERLAPPING HINGE (ANODIZED)	WD70T-KM.065	1 ad / 1 pk
	01 011066	DIŞA AÇILIR ADAPTÖRLÜ BİNİLİ KAPI MENTEŞE (BEYAZ) OUTWARD OPENING OVERLAPPING HINGE (WHITE)	WD70T-KM.066	1 ad / 1 pk
	01 011067	DIŞA AÇILIR ADAPTÖRLÜ BİNİLİ KAPI MENTEŞE (RENKLİ) OUTWARD OPENING OVERLAPPING HINGE (COLORED)	WD70T-KM.067	1 ad / 1 pk
	01 011820	İÇE VE DIŞA AÇILIR BİNİLİ KAPI MENTEŞE (ELOKSALLI) INWARD AND OUTWARD OPENING HINGE (ANODIZED)	WD70T-KM.820	1 ad / 1 pk
	01 011821	İÇE VE DIŞA AÇILIR BİNİLİ KAPI MENTEŞE (BEYAZ) INWARD AND OUTWARD OPENING HINGE (WHITE)	WD70T-KM.821	1 ad / 1 pk
	01 011822	İÇE VE DIŞA AÇILIR BİNİLİ KAPI MENTEŞE (RENKLİ) INWARD AND OUTWARD OPENING HINGE (COLORED)	WD70T-KM.822	1 ad / 1 pk
	01 011825	HEMYÜZ İÇE AÇILIR KAPI MENTEŞE (ELOKSALLI) SYMMETRICAL INWARD OPENING HINGE (ANODIZED)	WD70T-KM.825	1 ad / 1 pk
	01 011826	HEMYÜZ İÇE AÇILIR KAPI MENTEŞE (BEYAZI) SYMMETRICAL INWARD OPENING HINGE (WHITE)	WD70T-KM.826	1 ad / 1 pk
	01 011827	HEMYÜZ İÇE AÇILIR KAPI MENTEŞE (RENKLİ) SYMMETRICAL INWARD OPENING HINGE (COLORED)	WD70T-KM.827	1 ad / 1 pk
	01 011835	DIŞA AÇILIR ADAPTÖRLÜ BİNİLİ KAPI MENTEŞE (ELOKSALLI) OUTWARD OPENING OVERLAPPING HINGE (ANODIZED)	WD70T-KM.835	1 ad / 1 pk
	01 011836	DIŞA AÇILIR ADAPTÖRLÜ BİNİLİ KAPI MENTEŞE (BEYAZ) OUTWARD OPENING OVERLAPPING HINGE (WHITE)	WD70T-KM.836	1 ad / 1 pk
	01 011837	DIŞA AÇILIR ADAPTÖRLÜ BİNİLİ KAPI MENTEŞE (RENKLİ) OUTWARD OPENING OVERLAPPING HINGE (COLORED)	WD70T-KM.837	1 ad / 1 pk
	01 011830	HEMYÜZ DIŞA AÇILIR KAPI MENTEŞE (ELOKSALLI) SYMMETRICAL OUTWARD OPENING HINGE (ANODIZED)	WD70T-KM.830	1 ad / 1 pk
	01 011831	HEMYÜZ DIŞA AÇILIR KAPI MENTEŞE (BEYAZ) SYMMETRICAL OUTWARD OPENING HINGE (WHITE)	WD70T-KM.831	1 ad / 1 pk
	01 011832	HEMYÜZ DIŞA AÇILIR KAPI MENTEŞE (RENKLİ) SYMMETRICAL OUTWARD OPENING HINGE (COLORED)	WD70T-KM.832	1 ad / 1 pk
	01 081702	SİSTEM AYARLI VASİSTAS ÇARPMA (NATUREL) SYSTEM TRANSOM CATCH (NATURAL)	WD70T-VÇ.702	100 ad / 1 pk
	01 081703	SİSTEM AYARLI VASİSTAS ÇARPMA (BEYAZ) SYSTEM TRANSOM CATCH (WHITE)	WD70T-VÇ.703	100 ad / 1 pk
	01 081704	SİSTEM AYARLI VASİSTAS ÇARPMA (RENKLİ) SYSTEM TRANSOM CATCH (COLORED)	WD70T-VÇ.704	100 ad / 1 pk

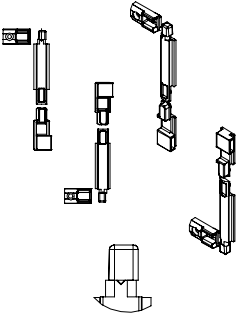

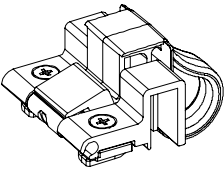
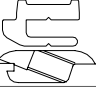
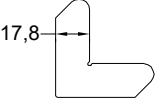
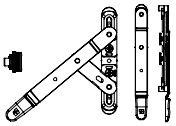
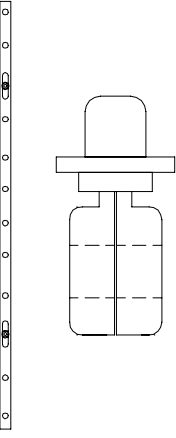

AKSESUAR ACCESSORY	STOK KODU REFERENCE CODE	AKSESUAR ADI DESCRIPTION	AKSESUAR KODU PRODUCT CODE	PAKET PACK
	01 012206	ÇARPMA KAPI MENTEŞE (ELOKSALLI) OUTWARD OPENING OVERLAPPING HINGE (ANODIZED)	WD70T-ÇM.206	2 ad / 1 pk
	01 012202	ÇARPMA KAPI MENTEŞE (BEYAZ) OUTWARD OPENING OVERLAPPING HINGE (WHITE)	WD70T-ÇM.202	2 ad / 1 pk
	01 070201	SİSTEM UZUN ZAMAK SÜRGÜ (NATUREL) SYSTEM ZAMAK LATCH (NATURAL)	WD70T-FS.201	10 ad / 1 pk
	01 070202	SİSTEM UZUN ZAMAK SÜRGÜ (BEYAZ) SYSTEM ZAMAK LATCH (WHITE)	WD70T-FS.202	10 ad / 1 pk
	01 070203	SİSTEM UZUN ZAMAK SÜRGÜ (RENKLİ) SYSTEM ZAMAK LATCH (COLORED)	WD70T-FS.203	10 ad / 1 pk
	01 080301	SİSTEM 13 CM VASİSTAS MAKAS (NATUREL) SYSTEM 13 CM TRANSOM TRUSS (ANODIZED)	WD70T-VM.301	50 ad / 1 pk
	01 080302	SİSTEM 13 CM VASİSTAS MAKAS (BEYAZ) SYSTEM 13 CM TRANSOM TRUSS (WHITE)	WD70T-VM.302	50 ad / 1 pk
	01 080303	SİSTEM 13 CM VASİSTAS MAKAS (RENKLİ) SYSTEM 13 CM TRANSOM TRUSS (COLORED)	WD70T-VM.303	50 ad / 1 pk
	01 080401	SİSTEM 22 CM VASİSTAS MAKAS (NATUREL) SYSTEM 22 CM TRANSOM TRUSS (ANODIZED)	WD70T-VM.401	50 ad / 1 pk
	01 080402	SİSTEM 22 CM VASİSTAS MAKAS (BEYAZ) SYSTEM 22 CM TRANSOM TRUSS (WHITE)	WD70T-VM.402	50 ad / 1 pk
	01 080403	SİSTEM 22 CM VASİSTAS MAKAS (RENKLİ) SYSTEM 22 CM TRANSOM TRUSS (COLORED)	WD70T-VM.403	50 ad / 1 pk
	11 030306	KAPI POMPASI DOOR	WD70T-KP.306	1 ad / 1 tk
	08 100100	40'LİK KÖR KASA YALITIM BANDI SET	WD70T-KTB.100	50 mt / 1 top
	08 100110	60'LİK KÖR KASA YALITIM BANDI SET	WD70T-KTB.110	50 mt / 1 top
	01 090420	PVC KANALLI ÇİFT AÇILIM MENTEŞE TAKIMI TİP 1 (9/18) PVC GROOVED TILT&TURN SET (9/18)	WD70T-PMT.420	1 ad / 1 pk

AKSESUAR ACCESSORY	STOK KODU REFERENCE CODE	AKSESUAR ADI DESCRIPTION	AKSESUAR KODU PRODUCT CODE		PAKET PACK
	01 090470	GİZLİ MENTEŞELİ ÇİFT AÇILIM SETİ TİP 1 (SAĞ-SOL) CASEMENT SET WITH CONCEALED HINGE TILT-TURN SET	WD70T-GM.470	TAŞIMA KAPASİTESİ 100 KG LOADING CAPACITY 100 KG	1 ad / 1 pk
	01 120350	GİZLİ MENTEŞELİ TEK AÇILIM SETİ (SAĞ-SOL) CASEMENT SET WITH CONCEALED HINGE	WD70T-GM.350	TAŞIMA KAPASİTESİ 100 KG LOADING CAPACITY 100 KG	1 ad / 1 tk
	01 090410	EURO KANALLI ÇİFT AÇILIM SETİ TİP 1 EURO GROOVED TILT-TURN SET	WD70T-CS.410	TAŞIMA KAPASİTESİ MENTEŞE KİTİ DEĞİŞTİRİLEREK 90 İLE 160 KG ARALIĞINDA TERCİH EDİLEBİLİR. Depending on the hinge selection loading capacity can be between 90-160 kg.	1 ad / 1 pk
	01 120353	TEK AÇILIM SETİ CASEMENT SET	WD70T-TS.353	TAŞIMA KAPASİTESİ MENTEŞE KİTİ DEĞİŞTİRİLEREK 65 İLE 160 KG ARALIĞINDA TERCİH EDİLEBİLİR. Depending on the hinge selection loading capacity can be between 65-160 kg.	1 ad / 1 pk
	01 081000	AYARLI KADEMELİ MAKAS 5 KADEME ADJUSTABLE TRUSS	WD70T-KM.1000		10 ad / 1 pk
	01 081001	AYARLI KADEMELİ MAKAS 3 KADEME ADJUSTABLE TRUSS	WD70T-KM.1001		10 ad / 1 pk
	01 090871	TBT AÇILIM SETİ SINGLE HANDLE STEM BAR CONNECTION	WD70T-TBT.871		1 ad / 1 tk
	01 120217	PVC KANALLI İSPANYOLET KARŞILIĞI PVC GROOVED ESPAGNOLETTE (SCREWED)	WD70T-PK.217		100 ad / 1 pk

AKSESUAR ACCESSORY	STOK KODU REFERENCE CODE	AKSESUAR ADI DESCRIPTION	AKSESUAR KODU PRODUCT CODE	PAKET PACK
	11 030521	KAPI STOPERİ (BEYAZ) DOOR STOPER (WHITE)	WD70T-KP.521	1 ad / 1 pk
	11 030522	KAPI STOPERİ (RENKLİ) DOOR STOPER (COLORED)	WD70T-KP.522	1 ad / 1 pk
	11 030523	KAPI STOPERİ (NATUREL) DOOR STOPER (NATURAL)	WD70T-KP.523	1 ad / 1 pk
	11 031020	MOTORLU YÜKSEK AÇILIM SETİ SET	WD70T-MYAS.20	1 ad / 1 pk
	01 040104	YAYLI SOSİS KOL SPRING DOOR HANDLE	WD70T-YK.104	1 ad / 1 pk
	01 040109	YAYLI SOSİS KOL BAREL ROZETİ SPRING DOOR HANDLE CYLINDER BADGE	WD70T-BR.109	2 ad / 1 pk
	01 051101	U KOL (ELOKSALLI) U SHAPED HANDLE (ANODIZED)	WD70T-UK.101	1 ad / 1 pk
	01 031309	H KOL (ELOKSALLI) H SHAPED HANDLE (ANODIZED)	WD70T-HK.309	1 ad / 1 pk
	01 030401	KIVRIK KOL (ELOKSALLI) CONVOLUTED HANDLE (ANODIZED)	WD70T-VK.401	1 ad / 1 pk
	01 030300	25 mm 20 cm KIVRIK KOL (PRES) SEMI-CIRCULAR HANDLE (PRESS)	WD70T-KKP.300	1 ad / 1 pk
	01 030400	25 mm 30 cm KIVRIK KOL (PRES) SEMI-CIRCULAR HANDLE (PRESS)	WD70T-KKP.400	1 ad / 1 pk
	01 032210	90 CM PLEKSİ BANT KOL 90 CM HANDLE	WD70T-LBK.210	1 tk / 1 pk
	01 032211	100 CM PLEKSİ BANT KOL 100 CM HANDLE	WD70T-LBK.211	1 tk / 1 pk
	01 031199	50 CM YAY KOL (PRES) 50 CM ARROW HANDLE (PRESS)	WD70T-YK.199	1 ad / 1 pk
	01 031200	50 CM YAY KOL (BEYAZ) 50 CM ARROW HANDLE (WHITE)	WD70T-YK.200	1 ad / 1 pk
	01 031201	50 CM YAY KOL (ELOKSALLI) 50 CM ARROW HANDLE (ANODIZED)	WD70T-YK.201	1 ad / 1 pk
	01 031202	50 CM YAY KOL (RENKLİ) 50 CM ARROW HANDLE (COLORED)	WD70T-YK.202	1 ad / 1 pk
	01 200291	ROTO SECUSTİK PENCERE KOLU ROTO WINDOW HANDLE	WD70T-RK.291	1 ad / 1 pk

AKSESUAR ACCESSORY	STOK KODU REFERENCE CODE	AKSESUAR ADI DESCRIPTION	AKSESUAR KODU PRODUCT CODE	PAKET PACK
	01 160103	PANİK BAR BARELSİZ PANIC BAR	WD70T-PB.103	1 ad / 1 kutu
	01 060104	PANİK BAR ROZETLİ KOL (KİLİTLENEBİLİR) PANIC BAR	WD70T-PB.104	1 ad / 1 kutu
	01 060105	PANİK BAR BARELLİ PANIC BAR	WD70T-PB.105	75 ad / 1 kutu
	01 060106	PANİK BAR-ÇİFT KANAT SERT BARELSİZ PANIC BAR	WD70T-PB.106	4 ad / 1 kutu
	01 031100	AKBANK KOLU APARATI BORU HARIÇ (PRES) AKBANK DOOR HANDLE (PRESS)	WD70T-AK.100	1 ad / 1 pk
	01 031101	AKBANK KOLU APARATI BORU HARIÇ (ELOKSALLI) AKBANK DOOR HANDLE (ANODIZED)	WD70T-AK.101	1 ad / 1 pk
	01 031102	AKBANK KOLU APARATI BORU HARIÇ (BEYAZ) AKBANK DOOR HANDLE (WHITE)	WD70T-AK.102	1 ad / 1 pk
	01 031103	AKBANK KOLU APARATI BORU HARIÇ (RENKLİ) AKBANK DOOR HANDLE (COLORED)	WD70T-AK.103	1 ad / 1 pk
	01 030901	YARIM AY KAPI KOLU (ELOKSALLI) SEMI-CIRCULAR DOOR HANDLE (ANODIZED)	WD70T-YAK.901	1 ad / 1 pk
	01 030902	YARIM AY KAPI KOLU (B. BOYALI) SEMI-CIRCULAR DOOR HANDLE (PAINTED)	WD70T-YAK.902	1 ad / 1 pk
	01 030903	YARIM AY KAPI KOLU (RENKLİ) SEMI-CIRCULAR DOOR HANDLE (COLORED)	WD70T-YAK.903	1 ad / 1 pk
	01 040902	FORZA EFOR YAYLI KAPI KOLU (BEYAZ) FORZA EFOR DOOR HANDLE (WHITE)	WD70T-FK.902	1 ad / 1 pk
	01 040903	FORZA EFOR YAYLI KAPI KOLU (RENKLİ) FORZA EFOR DOOR HANDLE (COLORED)	WD70T-FK.903	1 ad / 1 pk
	01 040904	FORZA EFOR YAYLI KAPI KOLU (NATUREL) FORZA EFOR DOOR HANDLE (NATURAL)	WD70T-FK.904	1 ad / 1 pk
	01 020702	FORZA EFOR EKSENEL PENCERE KOLU (BEYAZ) FORZA EFOR AXIAL WINDOW HANDLE (WHITE)	WD70T-FPK.702	1 ad / 1 pk
	01 020703	FORZA EFOR EKSENEL PENCERE KOLU (RENKLİ) FORZA EFOR AXIAL WINDOW HANDLE (COLORED)	WD70T-FPK.703	1 ad / 1 pk
	01 020803	FORZA EFOR EKSENEL PENCERE KOLU (NATUREL) FORZA EFOR AXIAL WINDOW HANDLE (NATURAL)	WD70T-FPK.803	1 ad / 1 pk
	01 020708	FORZA EFOR EKSENEL PENCERE KOLU ÇİFT DİLLİ (PRES) FORZA EFOR AXIAL WINDOW HANDLE (PRESS)	WD70T-PK.708	1 ad / 1 pk
	01 020709	FORZA EFOR EKSENEL PENCERE KOLU ÇİFT DİLLİ (BEYAZ) FORZA EFOR AXIAL WINDOW HANDLE (WHITE)	WD70T-PK.709	1 ad / 1 pk
	01 020710	FORZA EFOR EKSENEL PENCERE KOLU ÇİFT DİLLİ (NATUREL) FORZA EFOR AXIAL WINDOW HANDLE (NATURAL)	WD70T-PK.710	1 ad / 1 pk
	01 020711	FORZA EFOR EKSENEL PENCERE KOLU ÇİFT DİLLİ (RENKLİ) FORZA EFOR AXIAL WINDOW HANDLE (COLORED)	WD70T-PK.711	1 ad / 1 pk

AKSESUAR ACCESSORY	STOK KODU REFERENCE CODE	AKSESUAR ADI DESCRIPTION	AKSESUAR KODU PRODUCT CODE	PAKET PACK
	01 020809	FORZA YANKI EKSENEL PENCERE KOLU (PRES) FORZA YANKI AXIAL WINDOW HANDLE (PRESS)	WD70T-EK.809	1 ad / 1 pk
	01 020810	FORZA YANKI EKSENEL PENCERE KOLU (NATUREL) FORZA YANKI AXIAL WINDOW HANDLE (NATURAL)	WD70T-EK.810	1 ad / 1 pk
	01 020811	FORZA YANKI EKSENEL PENCERE KOLU (BEYAZ) FORZA YANKI AXIAL WINDOW HANDLE (WHITE)	WD70T-EK.811	1 ad / 1 pk
	01 020812	FORZA YANKI EKSENEL PENCERE KOLU (RENKLİ) FORZA YANKI AXIAL WINDOW HANDLE (COLORED)	WD70T-EK.812	1 ad / 1 pk
	01 020820	FORZA YANKI EKSENEL PENCERE KOLU ÇİFT DİLLİ(NATUREL) FORZA YANKI AXIAL WINDOW HANDLE (NATURAL)	WD70T-FYK.820	1 ad / 1 pk
	01 020821	FORZA YANKI EKSENEL PENCERE KOLU ÇİFT DİLLİ(BEYAZ) FORZA YANKI AXIAL WINDOW HANDLE (WHITE)	WD70T-FYK.821	1 ad / 1 pk
	01 020822	FORZA YANKI EKSENEL PENCERE KOLU ÇİFT DİLLİ(RENKLİ) FORZA YANKI AXIAL WINDOW HANDLE (COLORED)	WD70T-FYK.822	1 ad / 1 pk
	01 020823	FORZA YANKI EKSENEL PENCERE KOLU ÇİFT DİLLİ(PRES) FORZA YANKI AXIAL WINDOW HANDLE (PRESS)	WD70T-FYK.823	1 ad / 1 pk
	01 020704	FORZA EKSENEL PENCERE KOLU ÇİFT DİLLİ SLOTLU (PRES) FORZA AXIAL WINDOW HANDLE (PRESS)	WD70T-PK.708	1 ad / 1 pk
	01 020705	FORZA EKSENEL PENCERE KOLU ÇİFT DİLLİ SLOTLU (BEYAZ) FORZA AXIAL WINDOW HANDLE (WHITE)	WD70T-PK.709	1 ad / 1 pk
	01 020706	FORZA EKSENEL PENCERE KOLU ÇİFT DİLLİ SLOTLU(NATUREL) FORZA AXIAL WINDOW HANDLE (NATURAL)	WD70T-PK.710	1 ad / 1 pk
	01 020707	FORZA EKSENEL PENCERE KOLU ÇİFT DİLLİ SLOTLU (RENKLİ) FORZA AXIAL WINDOW HANDLE (COLORED)	WD70T-PK.711	1 ad / 1 pk
	01 020601	EKSENEL KOL ROTO (ELOKSALLI) ROTO AXIAL HANDLE (ANODIZED)	WD70T-RK.601	1 ad / 1 pk
	01 020604	EKSENEL KOL ROTO (ELOKSALLI KİLİTLİ) ROTO AXIAL HANDLE (ANODIZED LOCKED)	WD70T-RK.604	1 ad / 1 pk
	01 031830	AYNALI KAPI KOLU MIRROR DOOR HANDLE	WD70T-AKK.830	1 ad / 1 pk
	11 030910	PASLANMAZ KAPI KOLU STAINLESS DOOR HANDLE	WD55-GK.910	1 ad / 1 pk

AKSESUAR ACCESSORY	STOK KODU REFERENCE CODE	AKSESUAR ADI DESCRIPTION	AKSESUAR KODU PRODUCT CODE	PAKET PACK
	01 120600	ÇİFT MAÇALI KOL TİJ BAĞLANTI DOUBLE HANDLE STEM BAR CONNECTION	WD70T-ÇTB.600	1 tk / 1 pk
	01 120610	TEK MAÇALI KOL TİJ BAĞLANTI SINGLE HANDLE STEM BAR CONNECTION	WD70T-TTB.610	1 ad / 1 tk
	01 081702	SİSTEM AYARLI VASİSTAS ÇARPMA (NATUREL) SYSTEM TRANSOM CATCH (NATURAL)	WD70T-VÇ.702	1 ad / 1 pk
	01 081703	SİSTEM AYARLI VASİSTAS ÇARPMA (BEYAZ) SYSTEM TRANSOM CATCH (WHITE)	WD70T-VÇ.703	1 ad / 1 pk
	01 081704	SİSTEM AYARLI VASİSTAS ÇARPMA (RENKLİ) SYSTEM TRANSOM CATCH (COLORED)	WD70T-VÇ.704	1 ad / 1 pk
	01 120210	SİSTEM KANAT KALDIRMA TAKOZU SYSTEM SASH ADJUSTING BRACKET	WD70T-KST.210	50 ad / 1 pk
	01 120212	KASA DIŞ KÖŞE GÖNYE CORNER BRACKET	WD70T-KG.178	500 ad / 1 pk
	01 090201	LEVYE KOL (EURO KANAL İÇİN) SHOOTBOLT KIT LOCKING (FOR EURO GROOVE)	WD70T-LK.201	1 ad / 1 pk
	06 010452	İSPANYOLET-80 cm ESPAGNOLETTE-80 cm	WD70T-İSP.452	1 ad / 1 pk
	06 010453	İSPANYOLET-100 cm ESPAGNOLETTE-100 cm	WD70T-İSP.453	1 ad / 1 pk
	06 010454	İSPANYOLET-120 cm ESPAGNOLETTE-120 cm	WD70T-İSP.454	1 ad / 1 pk
	06 010455	İSPANYOLET-140 cm ESPAGNOLETTE-140 cm	WD70T-İSP.455	1 ad / 1 pk
	06 010456	İSPANYOLET-160 cm ESPAGNOLETTE-160 cm	WD70T-İSP.456	1 ad / 1 pk
	06 010457	İSPANYOLET-180 cm ESPAGNOLETTE-180 cm	WD70T-İSP.457	1 ad / 1 pk
	11 010200	Ø3.9X13 mm YSB M.U.V Ø3.9X13 mm SELF DRILLING CURVED TOP SCREW	WD70T-SC.200	1000 ad / 1 pk

PVC KANALLI ÇİFT AÇILIM
PVC GROOVED TILT-TURN

YÜKSEKLİK	GENİŞLİK						
	H \ L	400 - 500	501 - 750	751 - 1000	1001 - 1200	1201 - 1450	1451 - 1600
480 590		TİP 1 01 090420	TİP 2 01 090421	TİP 3 01 090422	TİP 4 01 090423	TİP 5 01 090424	TİP 6 01 090425
	591 750	TİP 7 01 090426	TİP 8 01 090427	TİP 9 01 090428	TİP 10 01 090429	TİP 11 01 090430	TİP 12 01 090431
751 1200		TİP 13 01 090432	TİP 14 01 090433	TİP 15 01 090434	TİP 16 01 090435	TİP 17 01 090436	TİP 18 01 090437
951 1450		TİP 19 01 090438	TİP 20 01 090439	TİP 21 01 090440	TİP 22 01 090441	TİP 23 01 090442	TİP 24 01 090443
1201 1700		TİP 25 01 090444	TİP 26 01 090445	TİP 27 01 090446	TİP 28 01 090447	TİP 29 01 090448	TİP 30 01 090449
1201 1700		TİP 31 01 090450	TİP 32 01 090451	TİP 33 01 090452	TİP 34 01 090453	TİP 35 01 090454	TİP 36 01 090455
1201 1700		TİP 37 01 090456	TİP 38 01 090457	TİP 39 01 090458	TİP 40 01 090459	TİP 41 01 090460	TİP 42 01 090461

EURO KANALLI ÇİFT AÇILIM
EURO GROOVED TILT-TURN

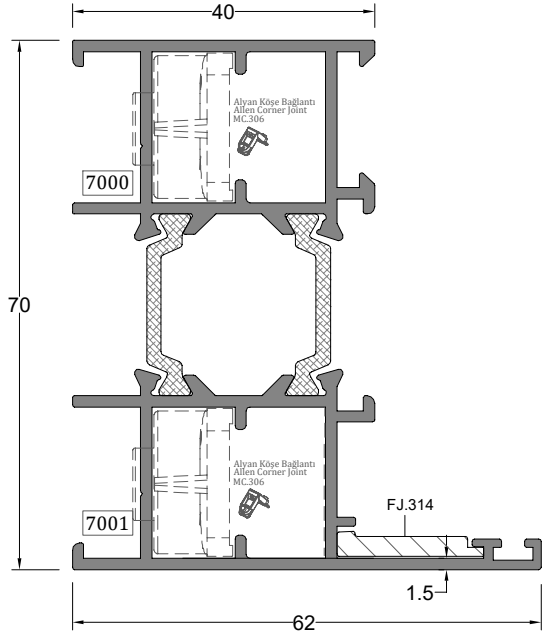
YÜKSEKLİK	GENİŞLİK			
	H \ L	390 - 700	701 -1300	1251 - 1600
580 1200		TİP 1 01 090410	TİP 2 01 090411	TİP 3 01 090412
	1201 1800	TİP 4 01 090413	TİP 5 01 090414	TİP 6 01 090415
1801 2400		TİP 7 01 090416	TİP 8 01 090417	TİP 9 01 090418

GİZLİ MENTEŞELİ ÇİFT AÇILIM SETİ
CASEMENT SET WITH CONCEALED HINGE TILT-TURN

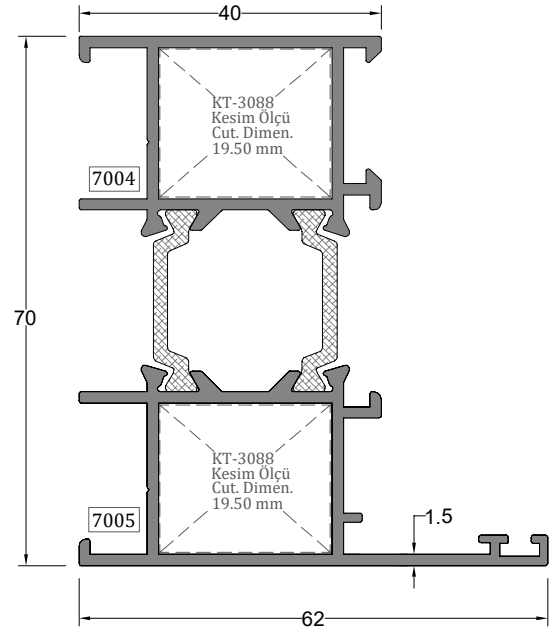
YÜKSEKLİK	GENİŞLİK			
	H \ L	345 - 700	701 -1200	1200 - 1600
580 1200		TİP 1 01 090470	TİP 2 01 090471	TİP 3 01 090472
	1801 2400	TİP 4 01 090473	TİP 5 01 090474	TİP 6 01 090475

TBT AÇILIM
TBT OPENING

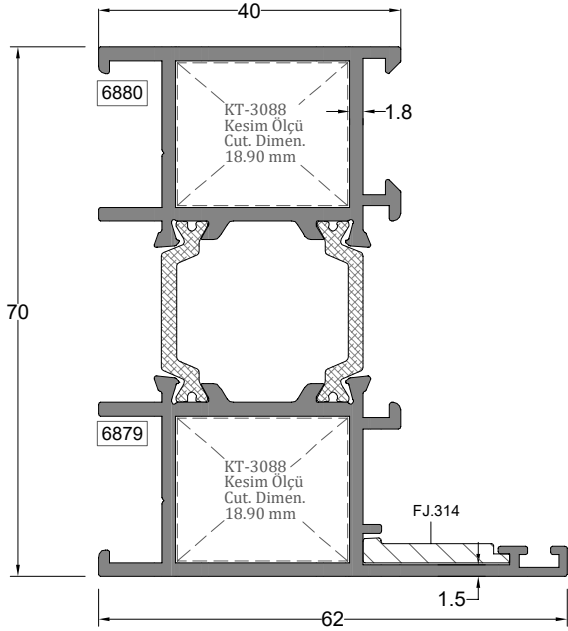
YÜKSEKLİK	GENİŞLİK				
	H \ L	430 - 700	701 -1200	1201 - 1350	1351 - 1600
500 1200		TİP 1 01 090871	TİP 2 01 090872	TİP 3 01 090873	TİP 4 01 090874
	1201 2400	TİP 5 01 090875	TİP 6 01 090876	TİP 7 01 090877	TİP 8 01 090878



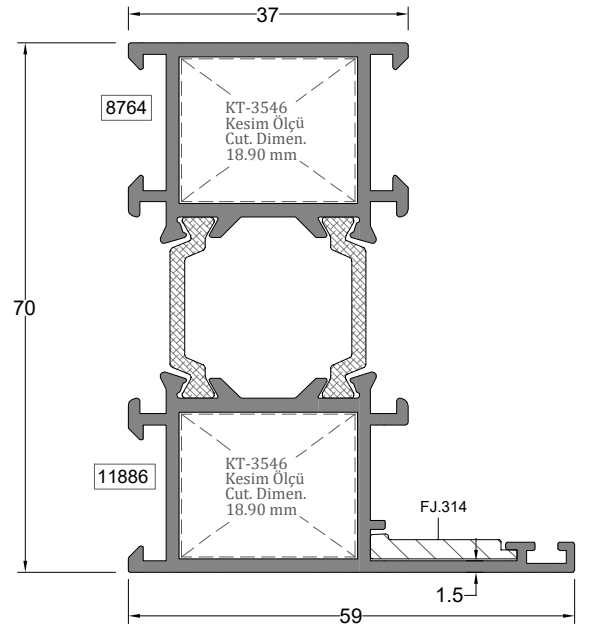
Kasa Profili	Profil Kodu	(kg/mt)	Jx cm ⁴	Jy cm ⁴
FRAME PROFILE	Profile Code	weight		
	70-7000-7001	1,515	30,45	10,01



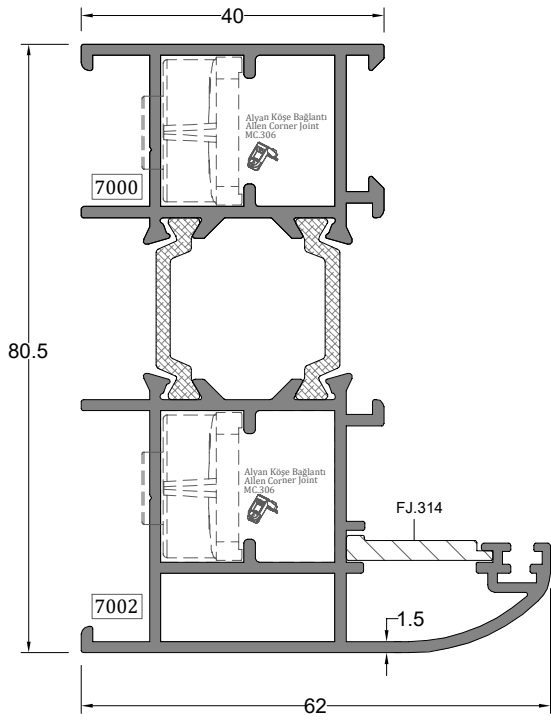
Kasa Profili	Profil Kodu	(kg/mt)	Jx cm ⁴	Jy cm ⁴
FRAME PROFILE	Profile Code	weight		
	70-7004-7005	1,466	29,32	10,00



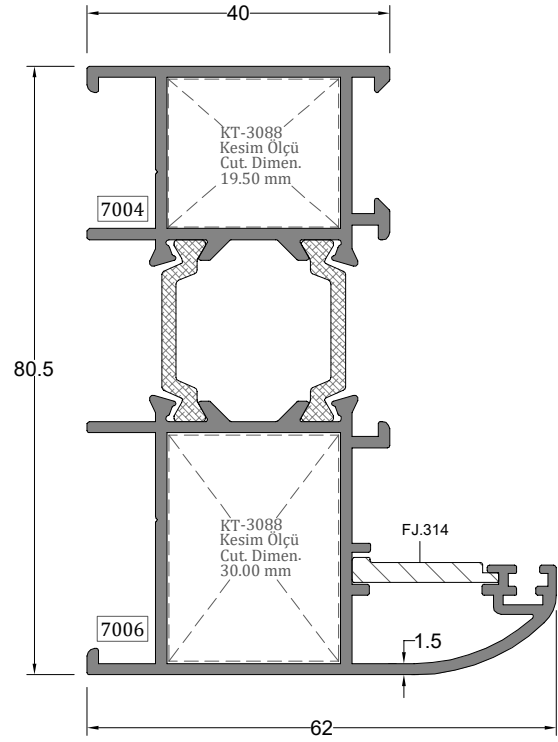
Kasa Profili	Profil Kodu	(kg/mt)	Jx cm ⁴	Jy cm ⁴
FRAME PROFILE	Profile Code	weight		
	70-6880-6879	1,625	33,08	10,95



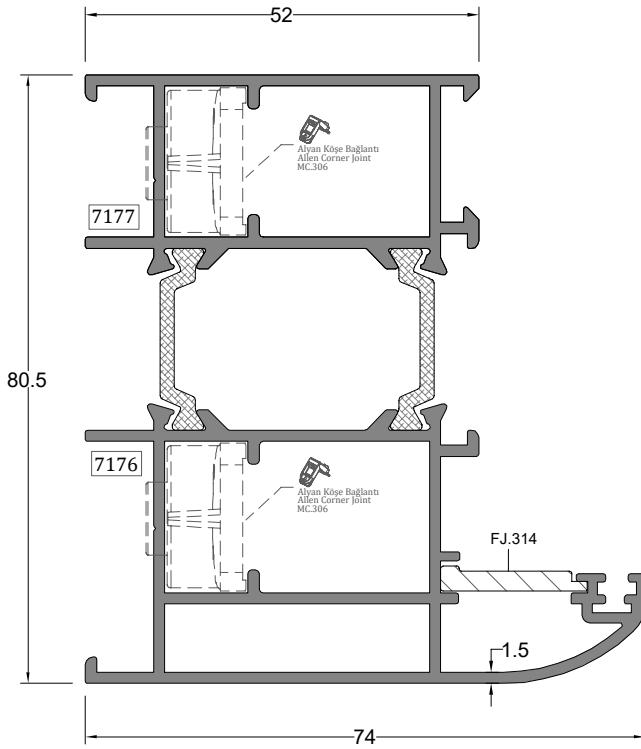
Kasa Profili	Profil Kodu	(kg/mt)	Jx cm ⁴	Jy cm ⁴
FRAME PROFILE	Profile Code	weight		
	70-8764-11886	1,523	31,88	9,40



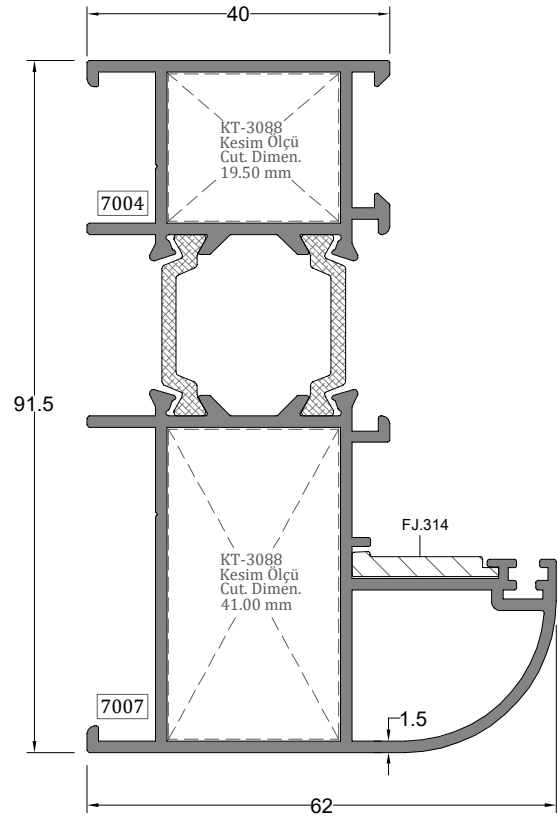
Kasa Profili	Profil Kodu	(kg/mt)	Jx cm ⁴	Jy cm ⁴
FRAME PROFILE	70-7000-7002	1,773	45,11	13,50



Kasa Profili	Profil Kodu	(kg/mt)	Jx cm ⁴	Jy cm ⁴
FRAME PROFILE	70-7004-7006	1,632	43,08	14,62

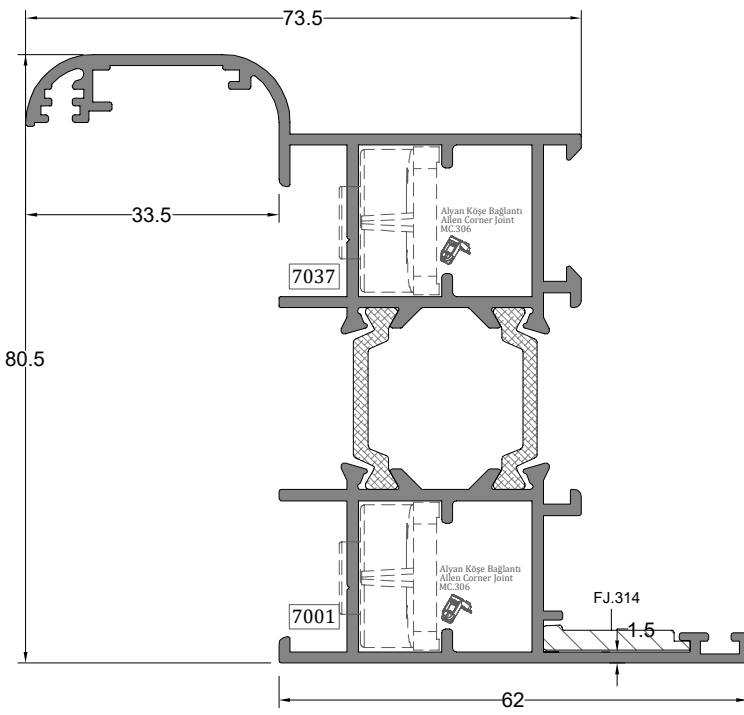


Kasa Profili	Profil Kodu	(kg/mt)	Jx cm ⁴	Jy cm ⁴
FRAME PROFILE	70-7176-7177	2,007	54,46	27,87

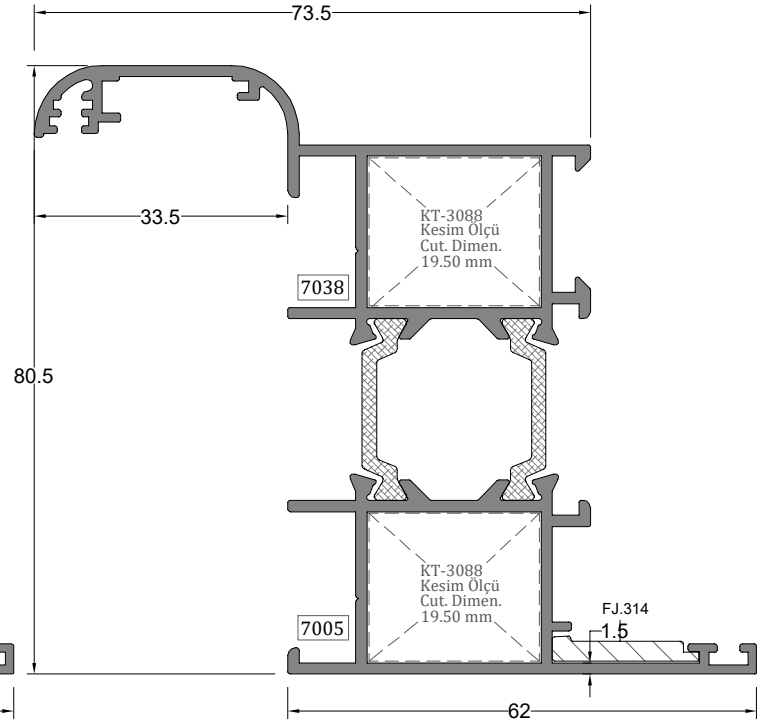


Kasa Profili	Profil Kodu	(kg/mt)	Jx cm ⁴	Jy cm ⁴
FRAME PROFILE	70-7004-7007	1,824	59,56	17,81

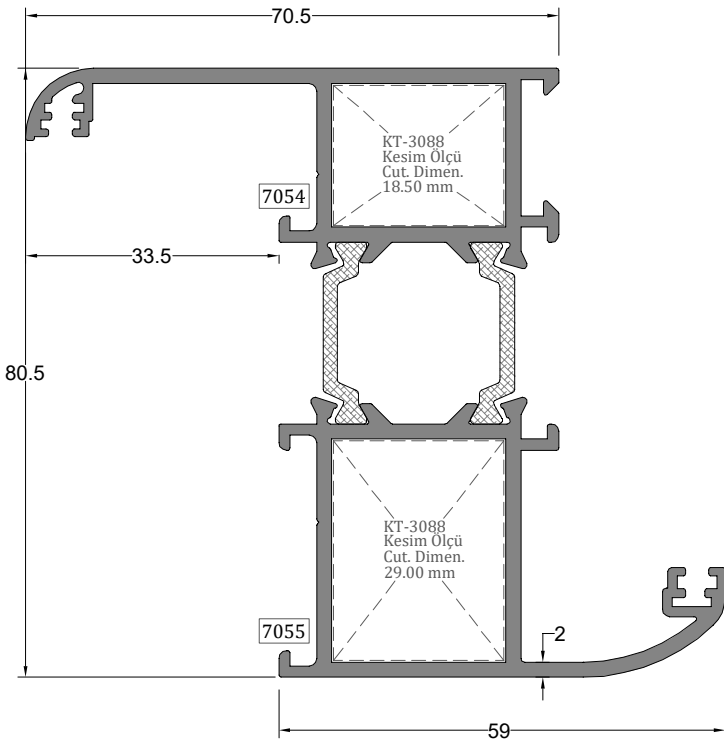
** Her profil için minimum sipariş 300 kg'dır.
** Minimum order quantity is 300 kg per profile.



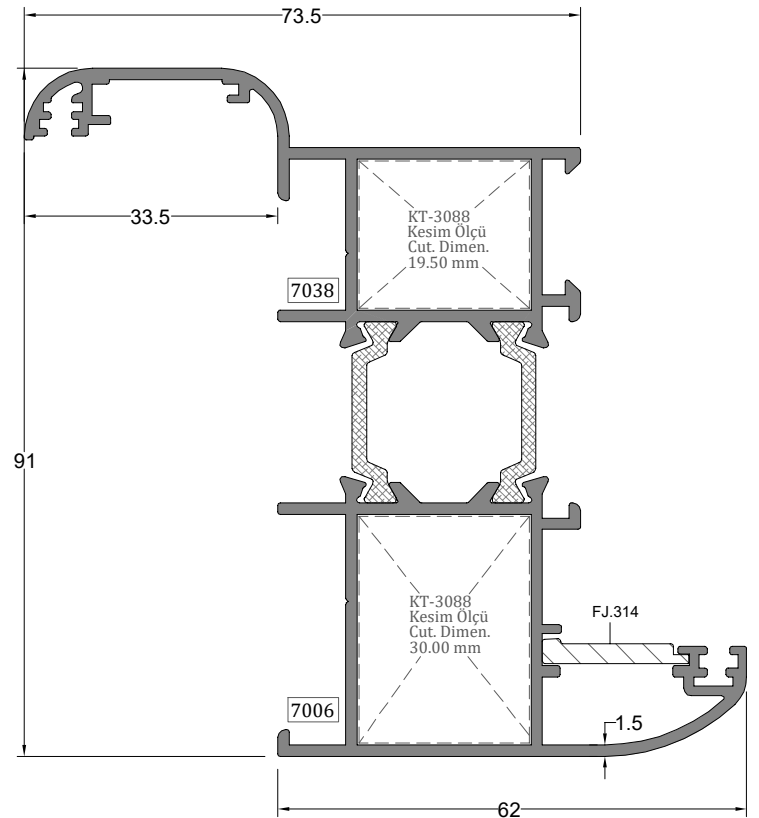
Z Kasa Profili	Profil Kodu	(kg/mt)	Jx cm ⁴	Jy cm ⁴
Z FRAME PROFILE	Profile Code	weight		
	70-7037-7001	1,786	71,49	45,47



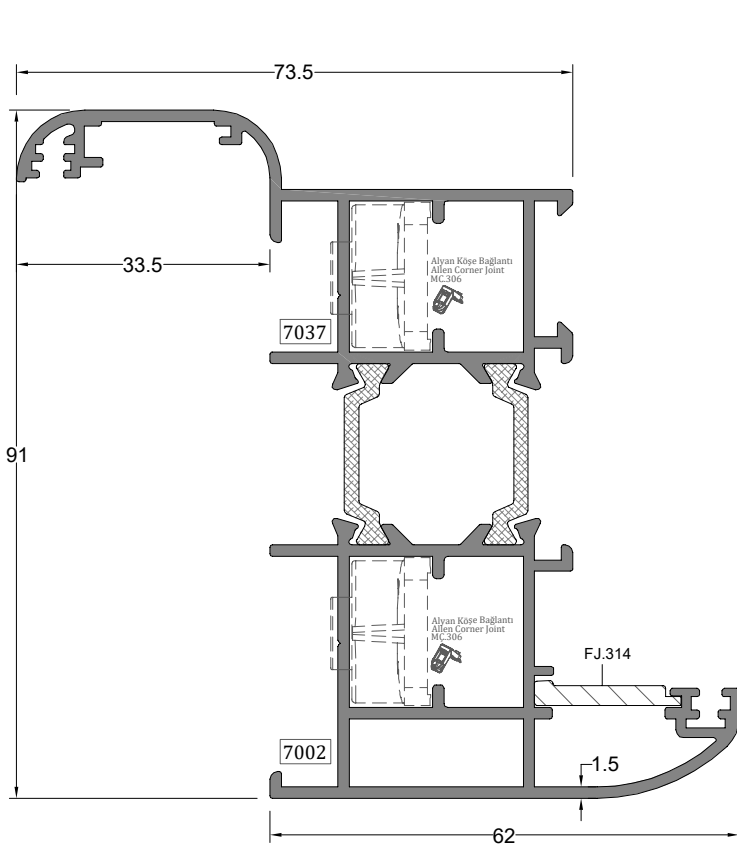
Z Kasa Profili	Profil Kodu	(kg/mt)	Jx cm ⁴	Jy cm ⁴
Z FRAME PROFILE	Profile Code	weight		
	70-7038-7005	1,737	46,54	26,19



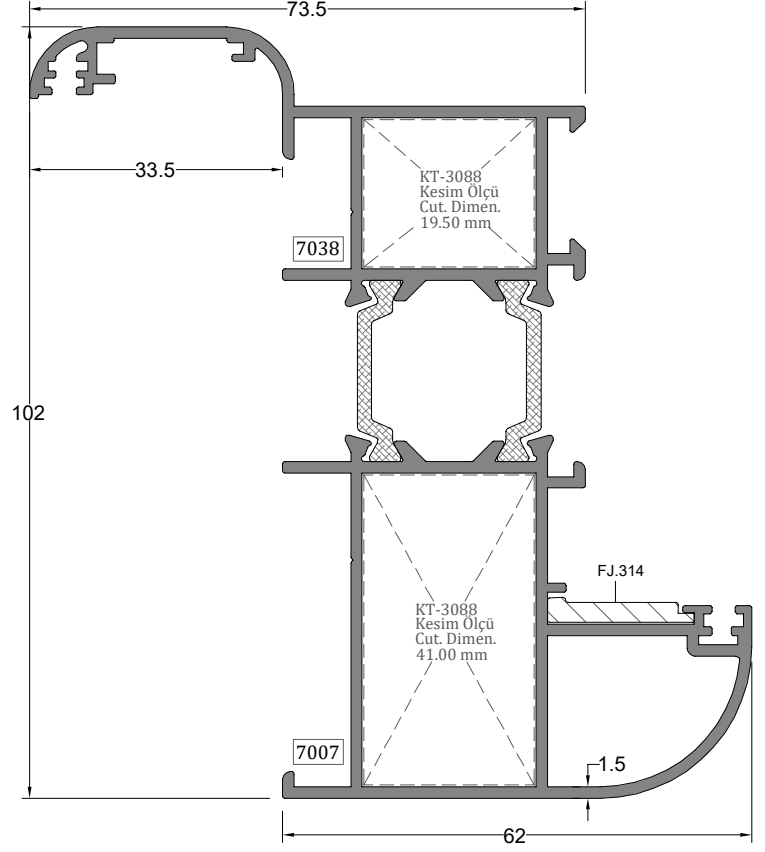
Z Kasa Profili	Profil Kodu	(kg/mt)	Jx cm ⁴	Jy cm ⁴
Z FRAME PROFILE	Profile Code	weight		
	70-7054-7055	2,152	62,24	29,35



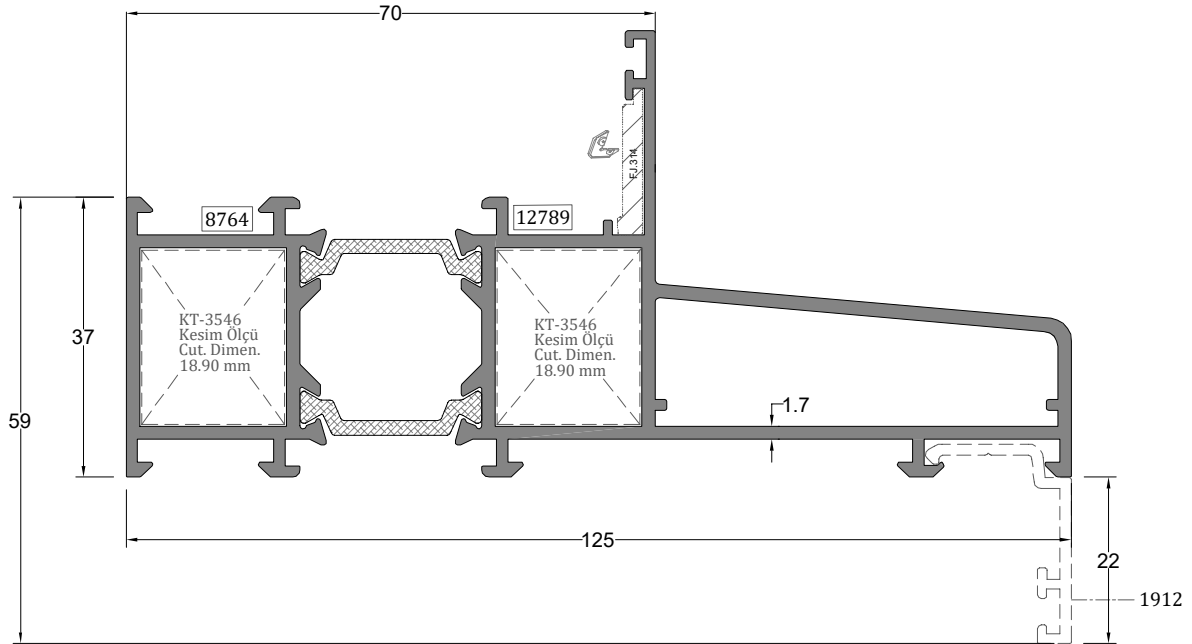
Z Kasa Profili	Profil Kodu	(kg/mt)	Jx cm ⁴	Jy cm ⁴
Z FRAME PROFILE	Profile Code	weight		
	70-7038-7006	1,902	63,47	30,68



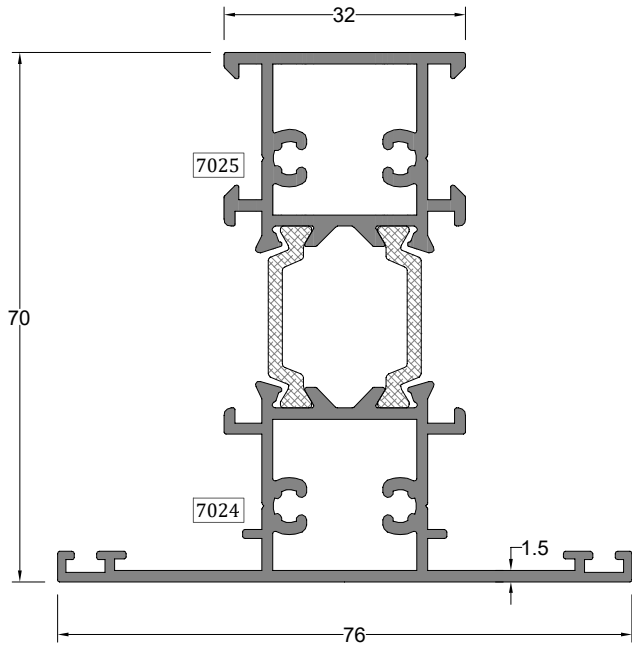
Z Kasa Profili	Profil Kodu	(kg/mt)	Jx cm ⁴	Jy cm ⁴
Z FRAME PROFILE	Profile Code	weight		
	70-7037-7002	2,044	68,34	30,87



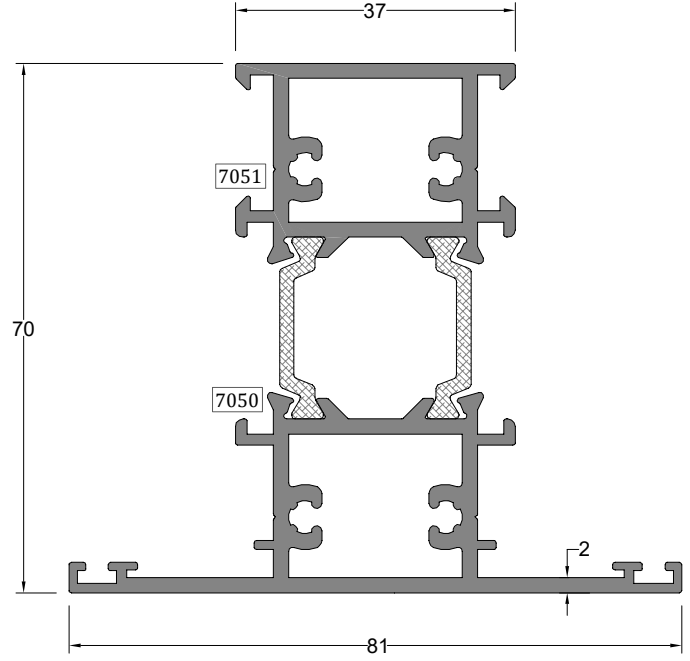
Z Kasa Profili	Profil Kodu	(kg/mt)	Jx cm ⁴	Jy cm ⁴
Z FRAME PROFILE	Profile Code	weight		
	70-7038-7007	2,095	127,91	53,99



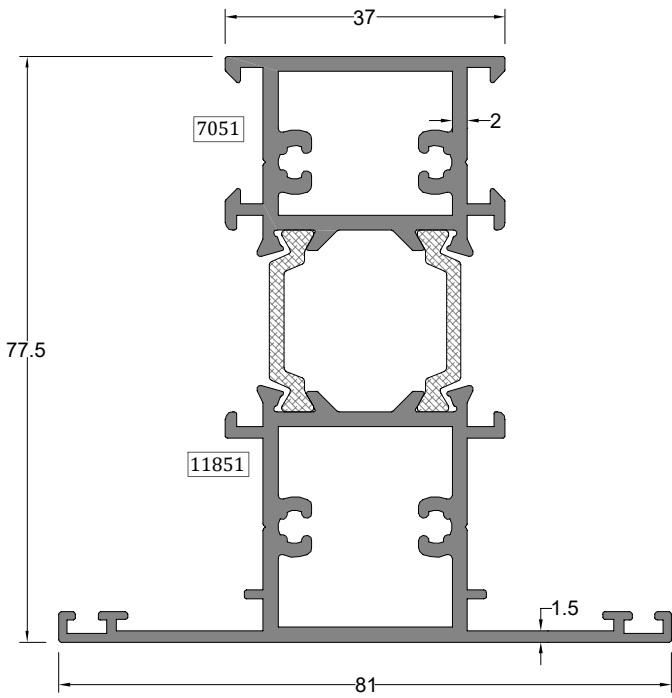
Geniş Kasa Profili	Profil Kodu	(kg/mt)	Jx cm ⁴	Jy cm ⁴
LARGE FRAME PROFILE	Profile Code	weight		
	70-8764-12789	2,180	111,20	19,83



Orta Kayıt Profili MULLION PROFILE	Profil Kodu Profile Code	(kg/mt) weight	Jx cm ⁴	Jy cm ⁴
	70-7025-7024	1,664	34,74	11,91

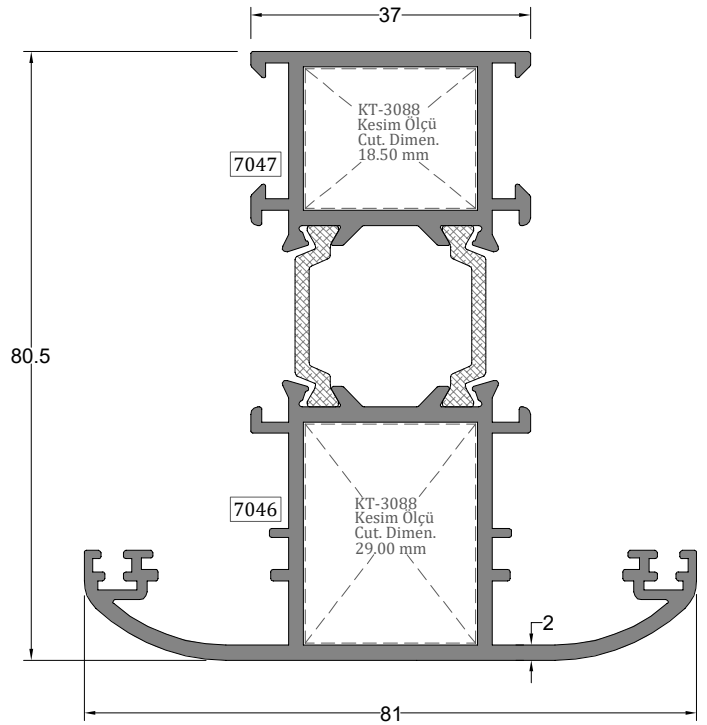


Orta Kayıt Profili MULLION PROFILE	Profil Kodu Profile Code	(kg/mt) weight	Jx cm ⁴	Jy cm ⁴
	70-7051-7050	2,083	44,96	17,98

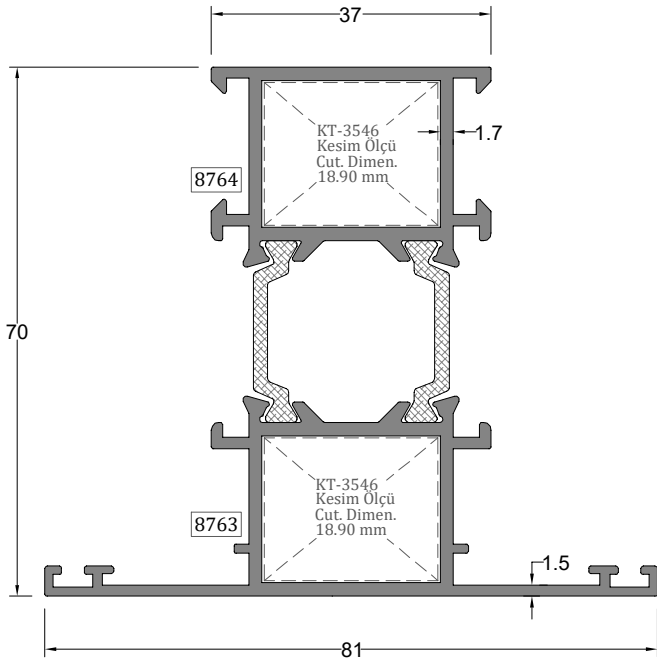


(7010-11824)*(7012-11825)*(7015-11826)*(11828-11825) profillerde kullanılır

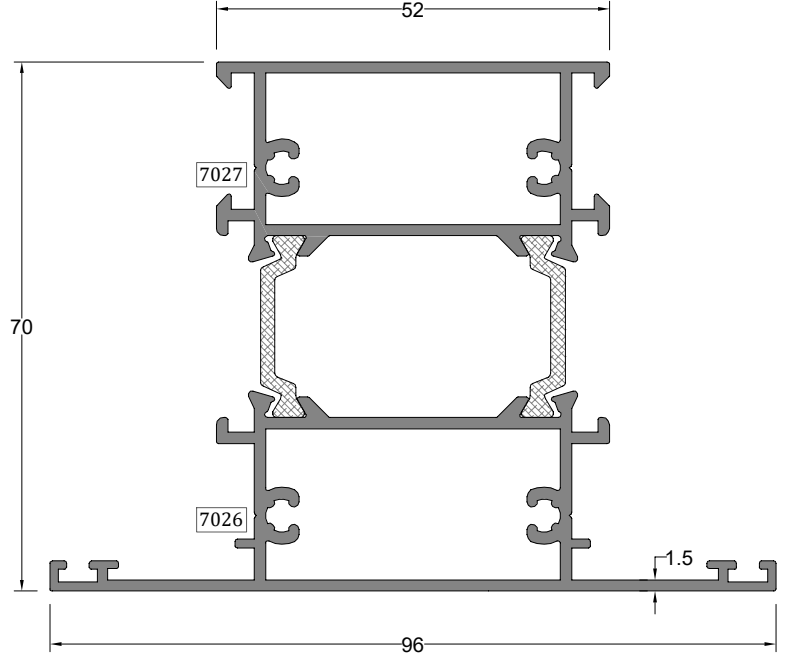
Kanat İçi Orta Kayıt Profili MULLION PROFILE (IN-SASH)	Profil Kodu Profile Code	(kg/mt) weight	Jx cm ⁴	Jy cm ⁴
	70-7051-11851	1,907	54,14	17,29



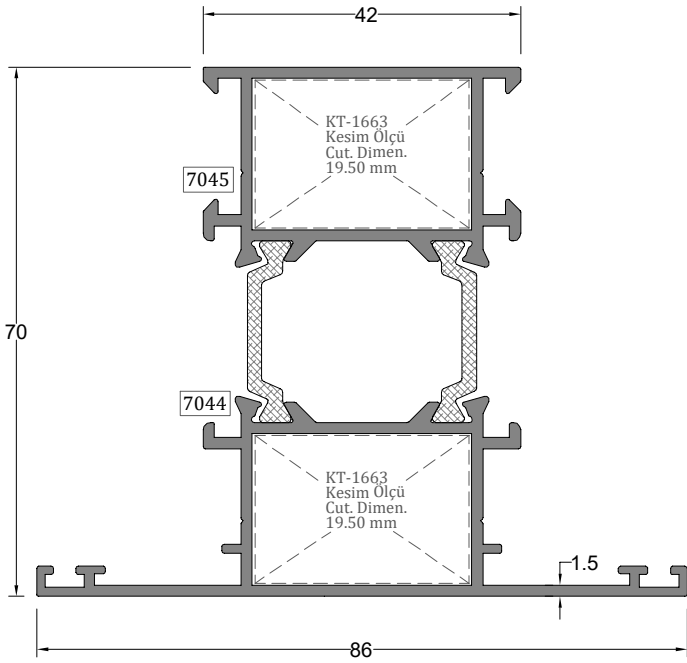
Orta Kayıt Profili MULLION PROFILE	Profil Kodu Profile Code	(kg/mt) weight	Jx cm ⁴	Jy cm ⁴
	70-7047-7046	2,129	58,54	25,37



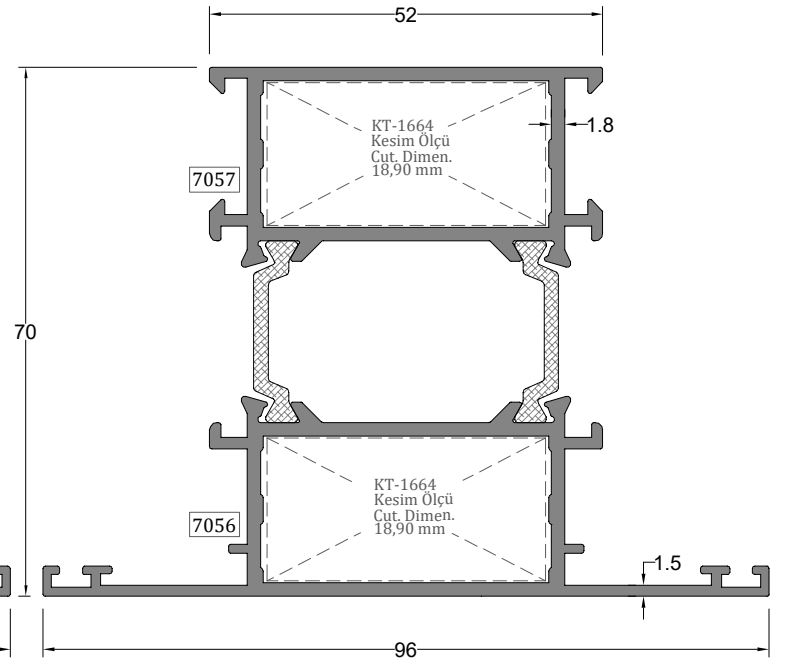
Orta Kayıt Profili	Profil Kodu Profile Code	(kg/mt) weight	Jx cm ⁴	Jy cm ⁴
MULLION PROFILE	70-8764-8763	1,680	35,74	15,72



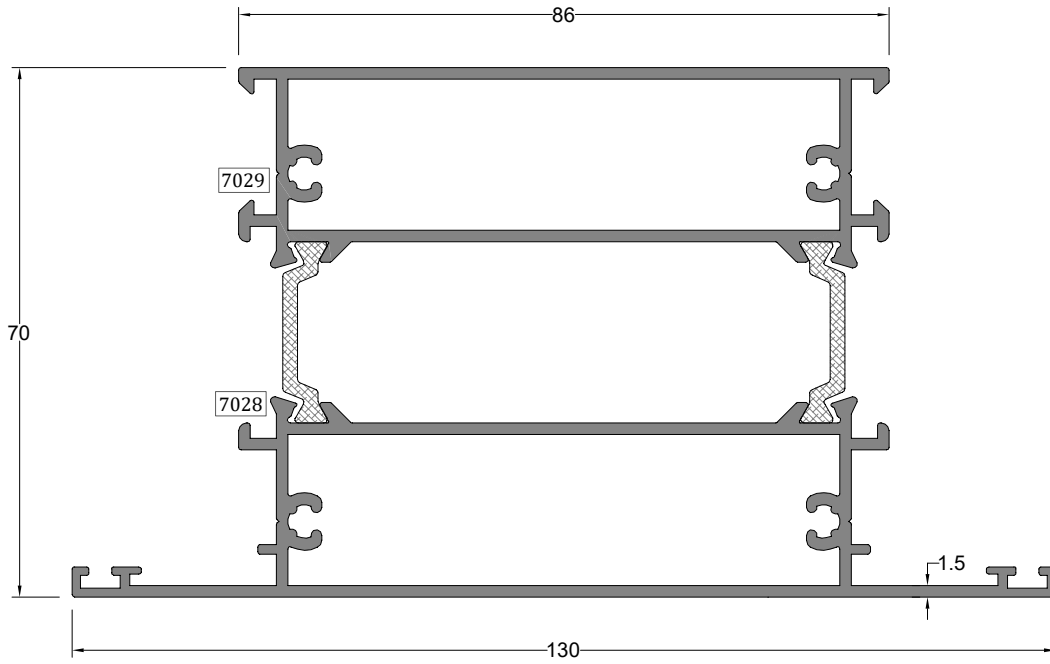
Orta Kayıt Profili	Profil Kodu Profile Code	(kg/mt) weight	Jx cm ⁴	Jy cm ⁴
MULLION PROFILE	70-7027-7026	1,989	42,93	33,70



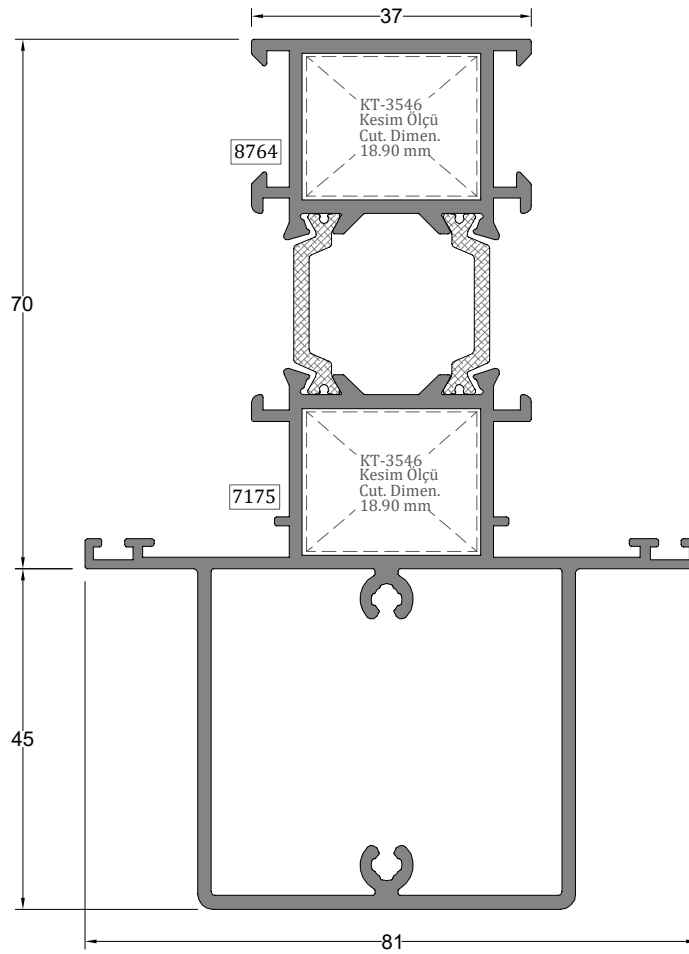
Orta Kayıt Profili	Profil Kodu Profile Code	(kg/mt) weight	Jx cm ⁴	Jy cm ⁴
MULLION PROFILE	70-7045-7044	1,633	35,00	19,88



Orta Kayıt Profili	Profil Kodu Profile Code	(kg/mt) weight	Jx cm ⁴	Jy cm ⁴
MULLION PROFILE	70-7057-7056	2,011	44,14	33,35

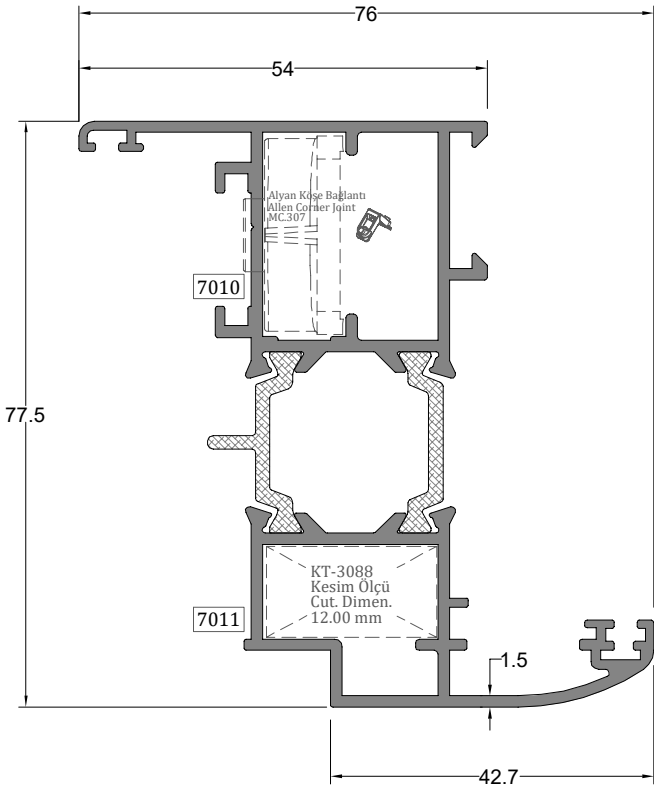


Orta Kayıt Profili	Profil Kodu Profile Code	(kg/mt) weight	Jx cm ⁴	Jy cm ⁴
MULLION PROFILE	70-7029-7028	2,542	56,77	108,18

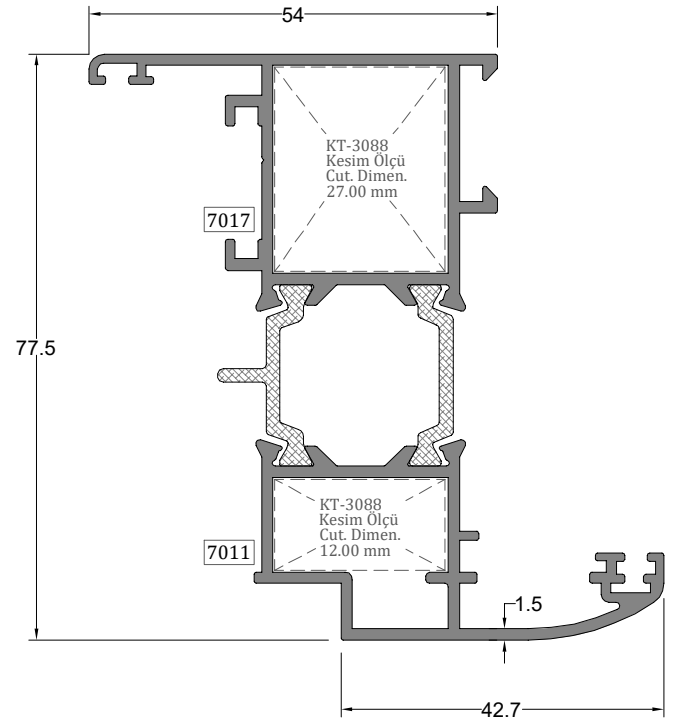


Takviyeli Orta Kayıt Profili	Profil Kodu Profile Code	(kg/mt) weight	Jx cm ⁴	Jy cm ⁴
REINFORCED MULLION PROFILE	70-8764-7175	2,466	114,88	26,56

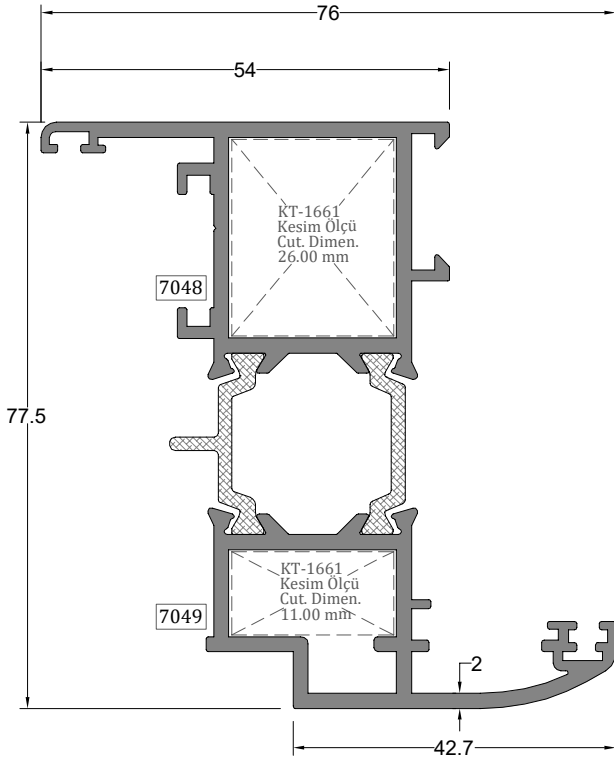
** Her profil için minimum sipariş 300 kg'dır.
** Minimum order quantity is 300 kg per profile.



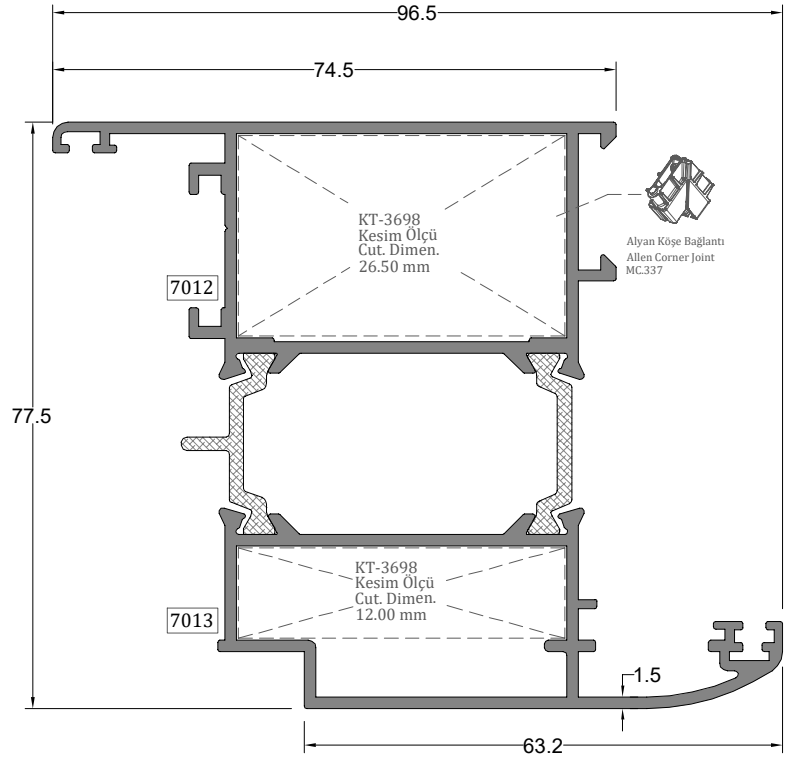
Kanat Profili	Profil Kodu	(kg/mt)	Jx cm ⁴	Jy cm ⁴
SASH PROFILE	Profile Code	weight		
	70-7010-7011	1,650	42,25	15,91



Kanat Profili	Profil Kodu	(kg/mt)	Jx cm ⁴	Jy cm ⁴
SASH PROFILE	Profile Code	weight		
	70-7017-7011	1,622	41,55	15,89

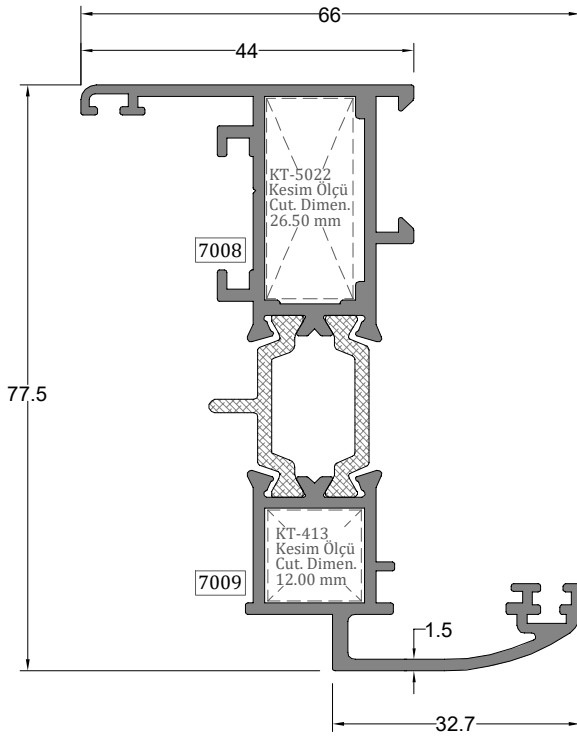


Kanat Profili	Profil Kodu	(kg/mt)	Jx cm ⁴	Jy cm ⁴
SASH PROFILE	Profile Code	weight		
	70-7048-7049	1,928	50,68	17,65

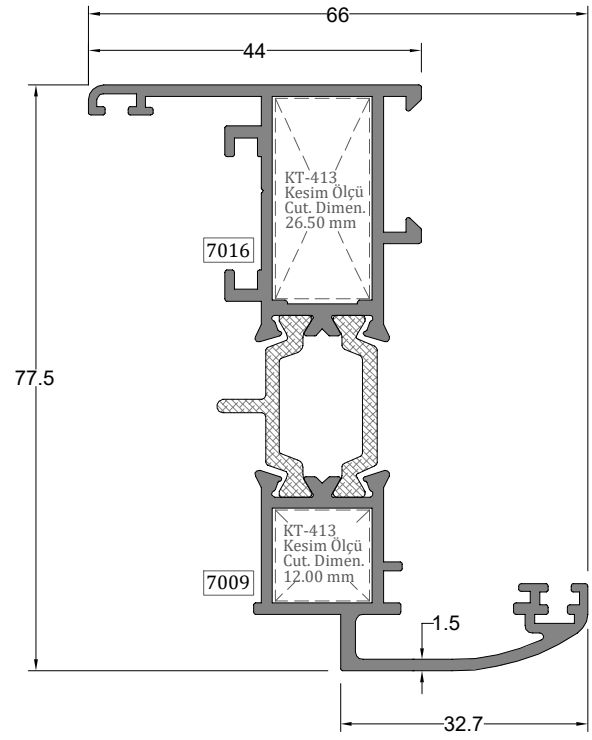


Kanat Profili	Profil Kodu	(kg/mt)	Jx cm ⁴	Jy cm ⁴
SASH PROFILE	Profile Code	weight		
	70-7012-7013	1,970	55,51	41,06

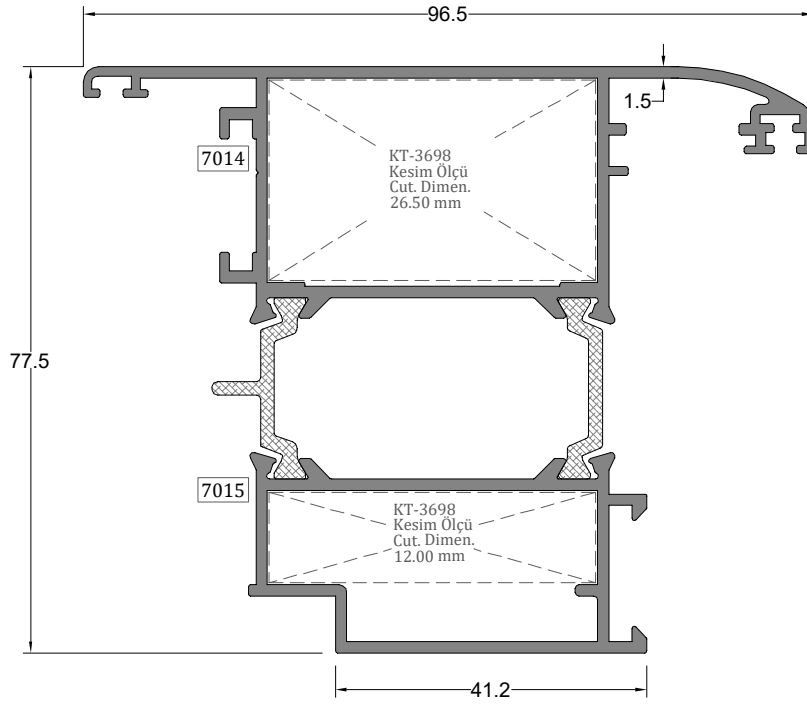
** Her profil için minimum sipariş 300 kg'dır.
** Minimum order quantity is 300 kg per profile.



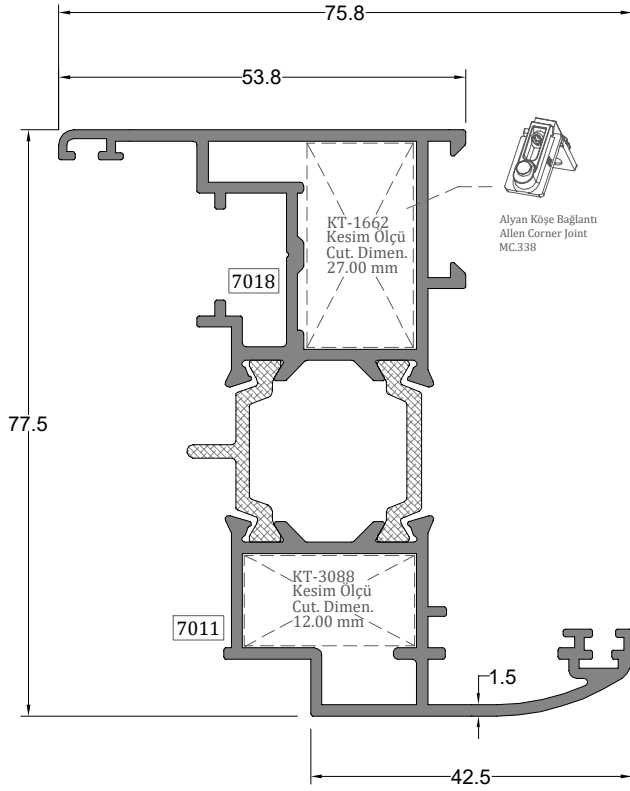
Kanat Profili	Profil Kodu	(kg/mt)	Jx cm ⁴	Jy cm ⁴
SASH PROFILE	Profile Code	weight		
	70-7008-7009	1,451	36,51	8,85



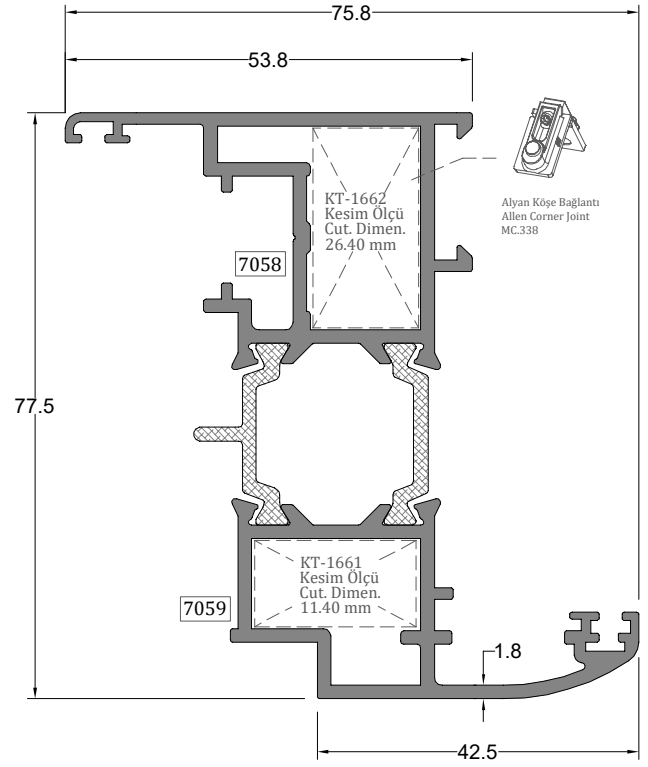
Kanat Profili	Profil Kodu	(kg/mt)	Jx cm ⁴	Jy cm ⁴
SASH PROFILE	Profile Code	weight		
	70-7016-7009	1,432	36,00	8,84



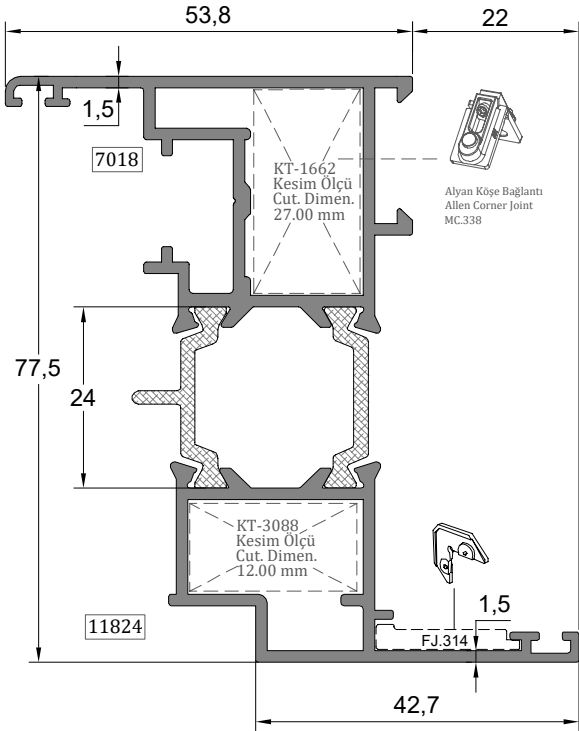
Dışa Açılır Kanat Profili	Profil Kodu	(kg/mt)	Jx cm ⁴	Jy cm ⁴
OUTWARD OPENING SASH PROFILE	Profile Code	weight		
	70-7015-7014	1,970	50,37	41,06



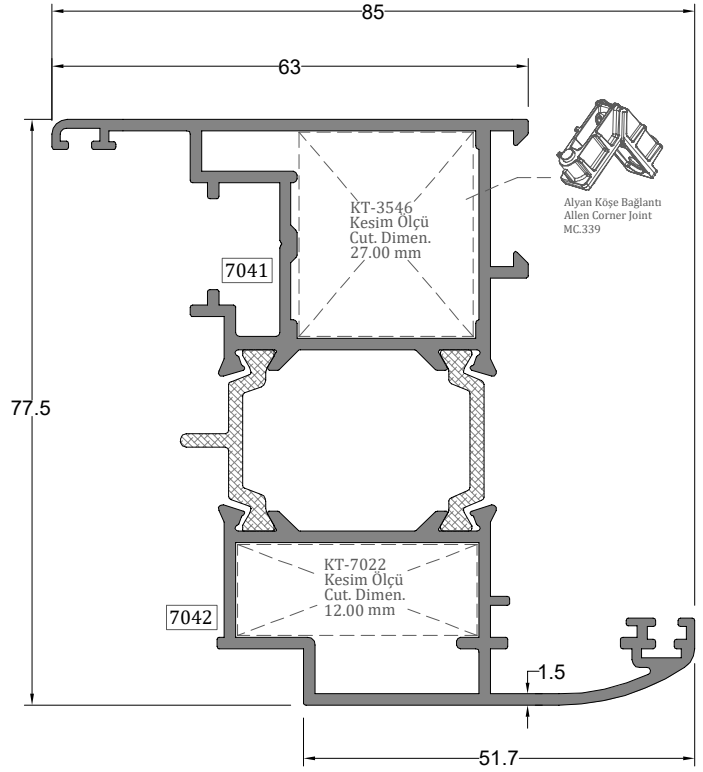
Pvc Kanallı Kanat Profili	Profil Kodu Profile Code	(kg/mt) weight	Jx cm ⁴	Jy cm ⁴
PVC GROOVED SASH PROFILE	70-7018-7011	1,678	42,72	15,46



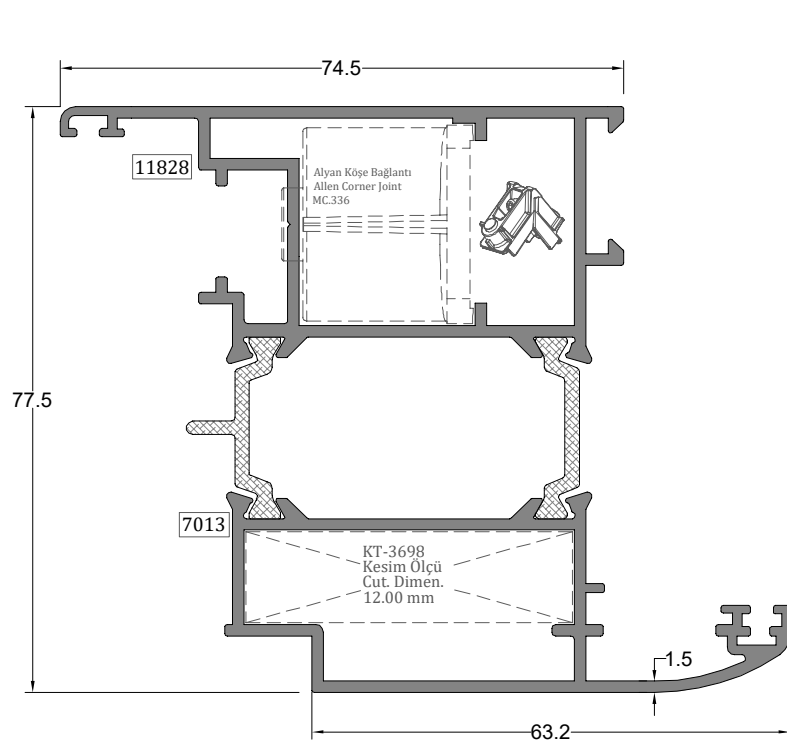
Pvc Kanallı Kanat Profili	Profil Kodu Profile Code	(kg/mt) weight	Jx cm ⁴	Jy cm ⁴
PVC GROOVED SASH PROFILE	70-7058-7059	1,860	48,37	16,54



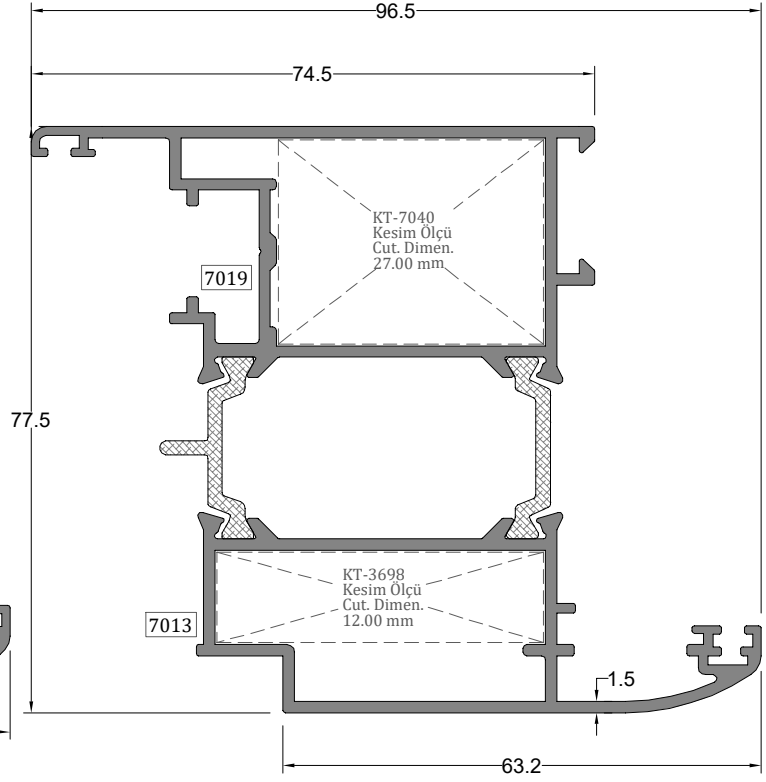
Pvc Kanallı Kanat Profili	Profil Kodu Profile Code	(kg/mt) weight	Jx cm ⁴	Jy cm ⁴
PVC GROOVED SASH PROFILE	70-7018-11824	1,572	41,03	12,90



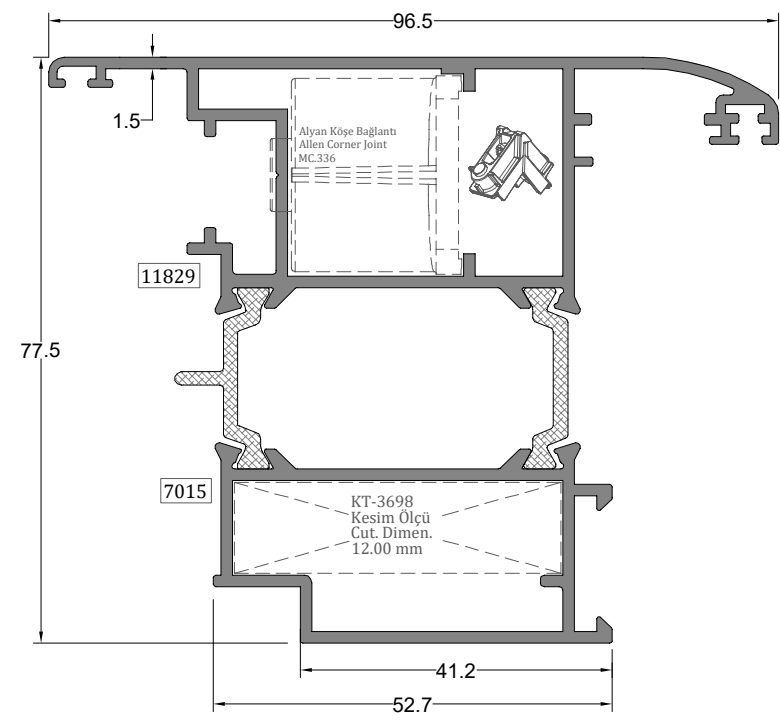
Pvc Kanallı Kanat Profili	Profil Kodu Profile Code	(kg/mt) weight	Jx cm ⁴	Jy cm ⁴
PVC GROOVED SASH PROFILE	70-7041-7042	1,834	40,36	24,82



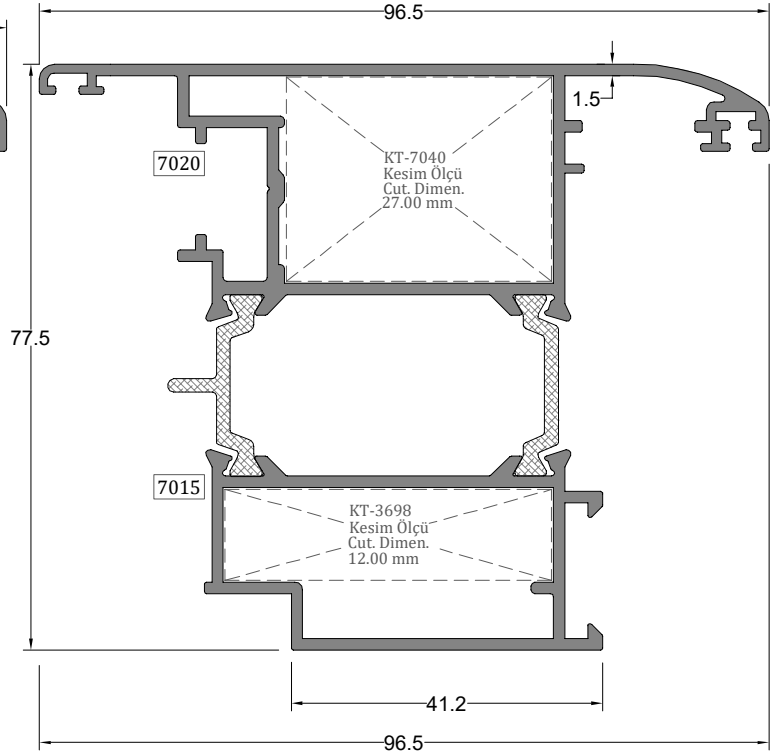
Pvc Kanallı Kanat Profili	Profil Kodu Profile Code	(kg/mt) weight	Jx cm ⁴	Jy cm ⁴
PVC GROOVED SASH PROFILE	70-11828-7013	2,008	53,41	40,77



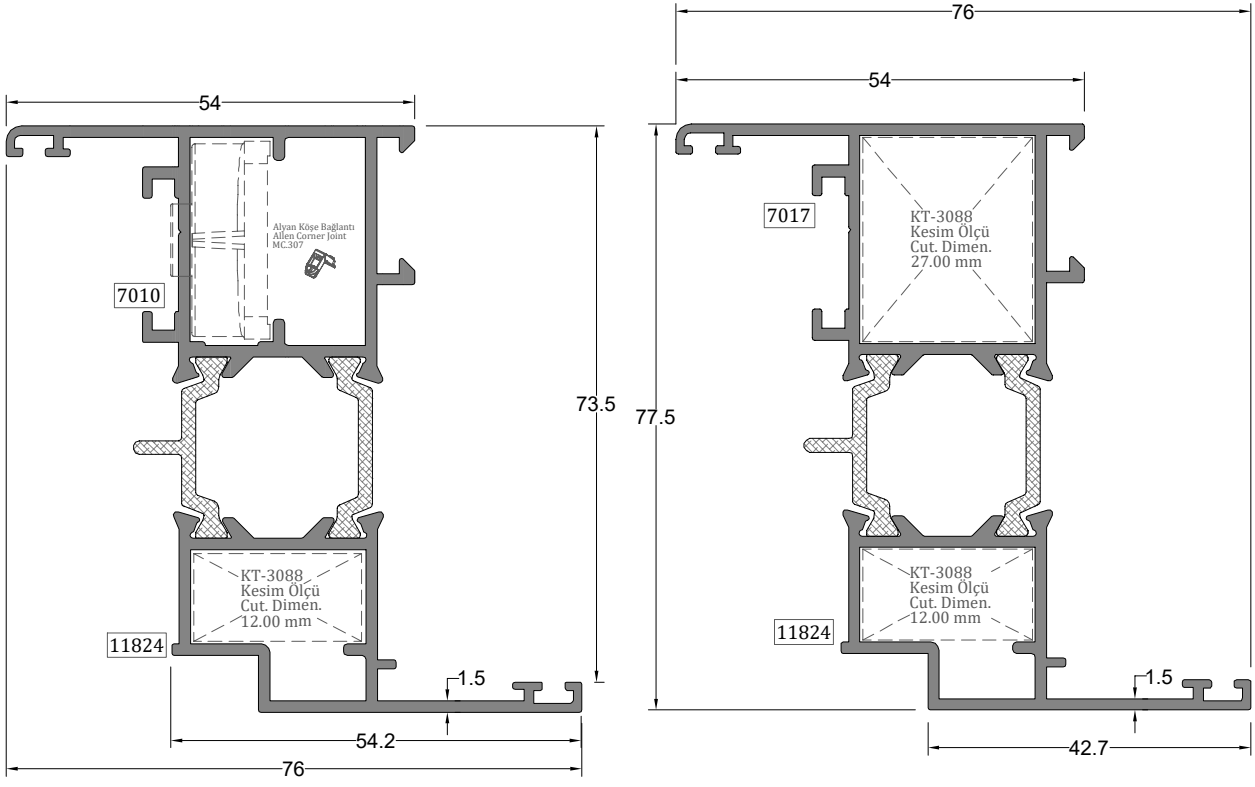
Pvc Kanallı Kanat Profili	Profil Kodu Profile Code	(kg/mt) weight	Jx cm ⁴	Jy cm ⁴
PVC GROOVED SASH PROFILE	70-7019-7013	2,015	52,77	40,78



Pvc Kanallı Kanat Profili	Profil Kodu Profile Code	(kg/mt) weight	Jx cm ⁴	Jy cm ⁴
PVC GROOVED SASH PROFILE	70-11829-7015	2,007	51,66	40,77

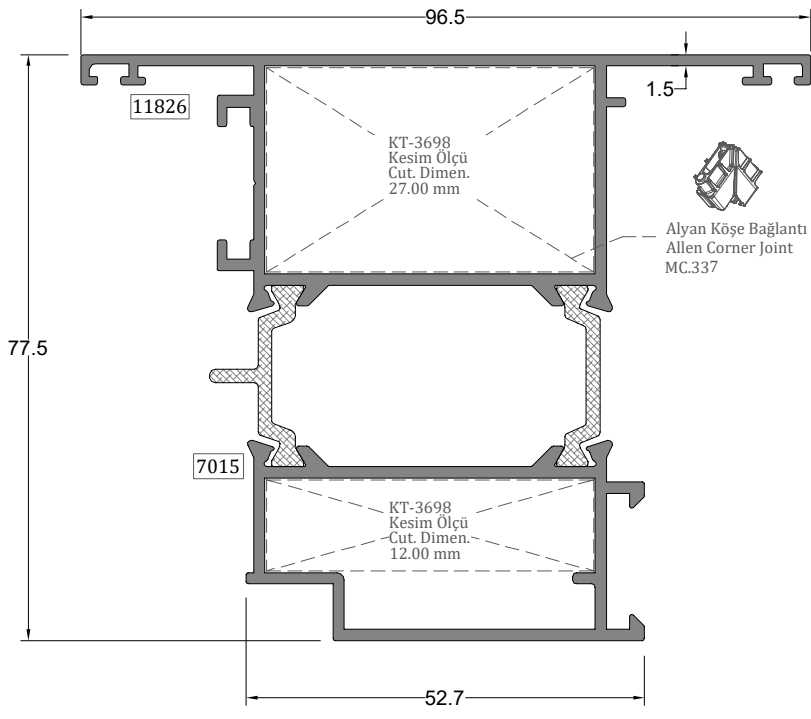


Dışa Açılır Pvc Kanallı Kanat Profili	Profil Kodu Profile Code	(kg/mt) weight	Jx cm ⁴	Jy cm ⁴
OUTWARD OPENING PVC GROOVED SASH PROFILE	70-7015-7020	2,015	51,17	40,78



Kanat Profili SASH PROFILE	Profil Kodu Profile Code	(kg/mt) Weight	Jx cm ⁴	Jy cm ⁴
	70-7010-11824	1,570	40,50	13,24

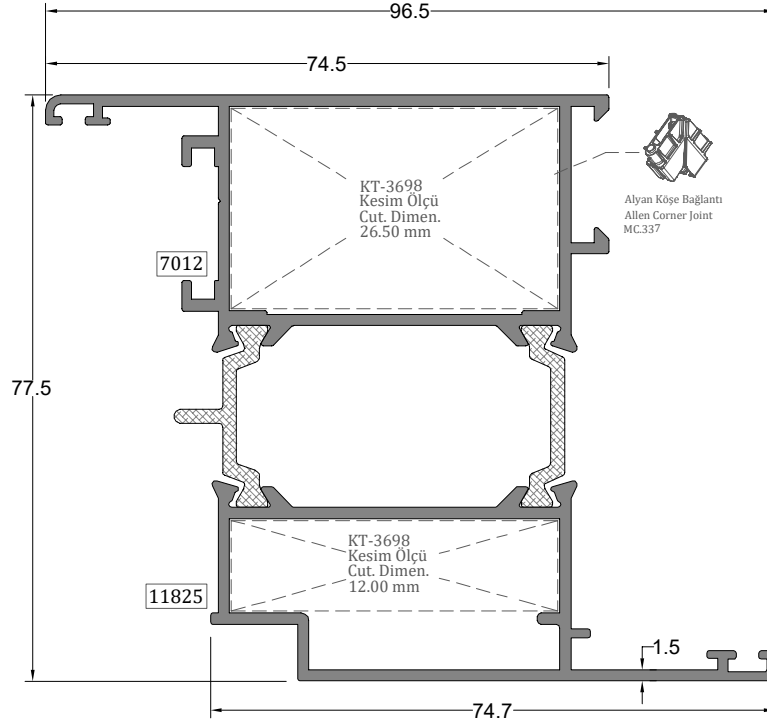
Kanat Profili SASH PROFILE	Profil Kodu Profile Code	(kg/mt) Weight	Jx cm ⁴	Jy cm ⁴
	70-7017-11824	1,537	41,55	15,89



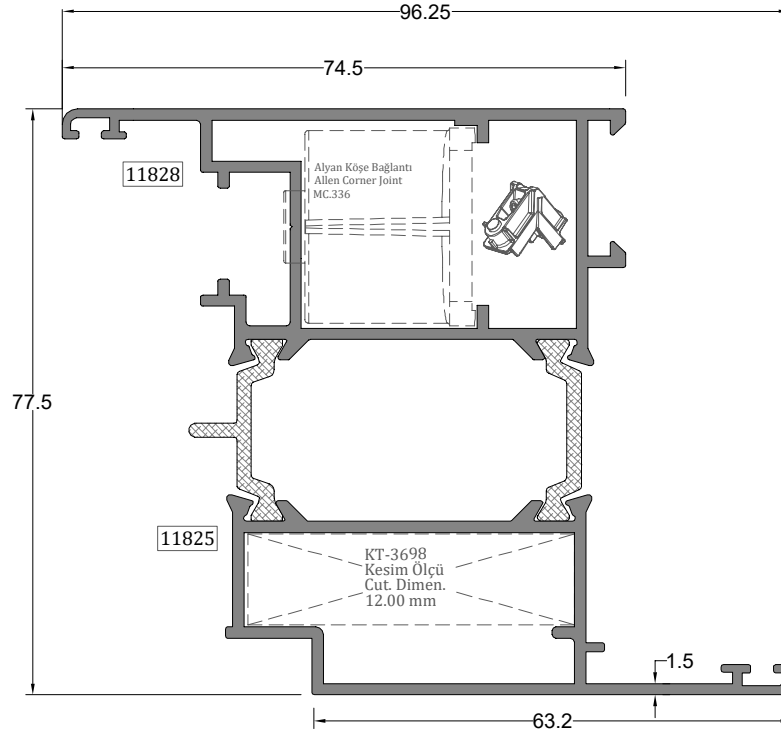
Dışa Açılır Kanat Profili OUTWARD OPENING SASH PROFILE	Profil Kodu Profile Code	(kg/mt) Weight	Jx cm ⁴	Jy cm ⁴
	70-7015-11826	1,860	49,05	36,17

★ Dıştan Görünüm Hemyüz Sistem
Uniform Look From Outside

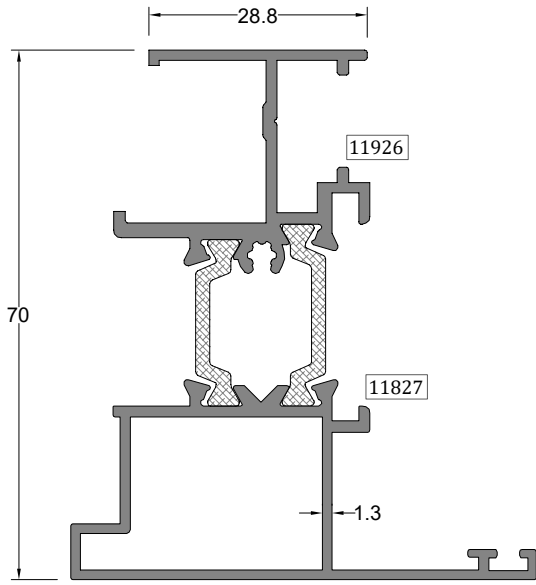
** Her profil için minimum sipariş 300 kg'dır.
** Minimum order quantity is 300 kg per profile.



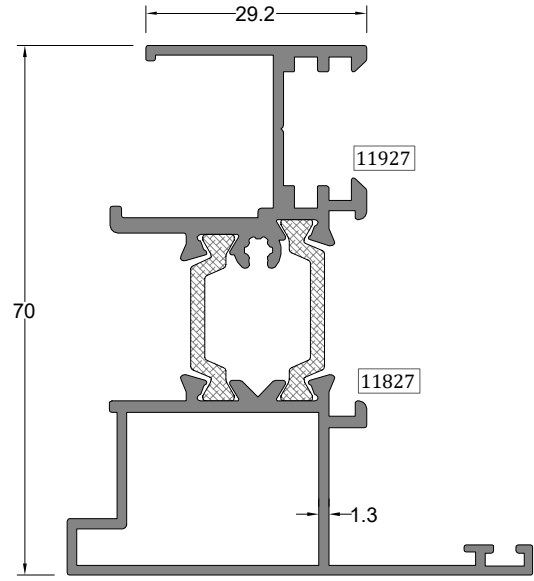
Kanat Profili	Profil Kodu	(kg/mt)	Jx cm ⁴	Jy cm ⁴
SASH PROFILE	Profile Code	Weight		
	70-7012-11825	1,880	53,41	40,77



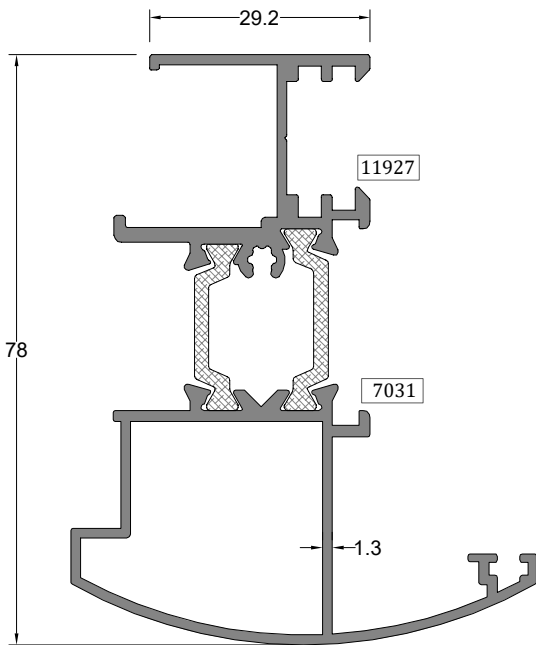
Kanat Profili	Profil Kodu	(kg/mt)	Jx cm ⁴	Jy cm ⁴
SASH PROFILE	Profile Code	Weight		
	70-11828-11825	1,930	51,62	36,06



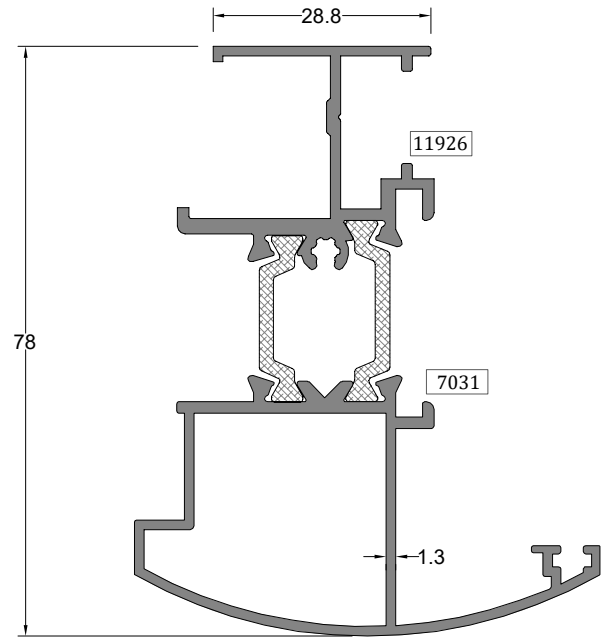
Adaptör Profili	Profil Kodu	(kg/mt)
ADAPTER PROFILE	Profile Code	Weight
	70-11926-11827	1,280



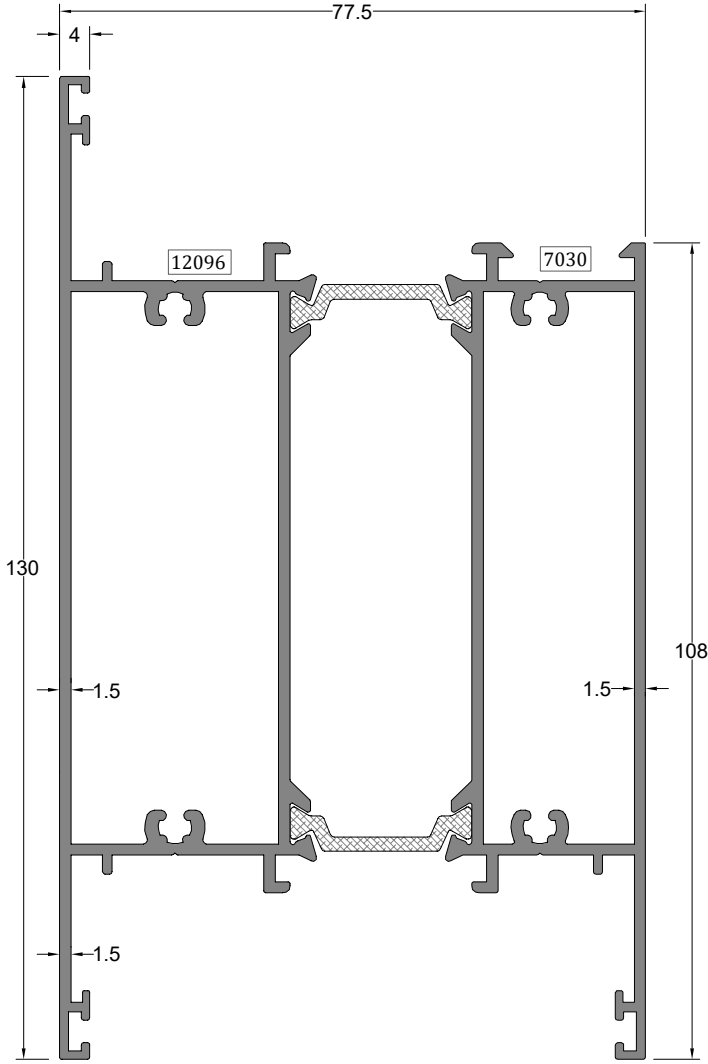
Adaptör Profili	Profil Kodu	(kg/mt)
ADAPTER PROFILE	Profile Code	Weight
	70-11927-11827	1,290



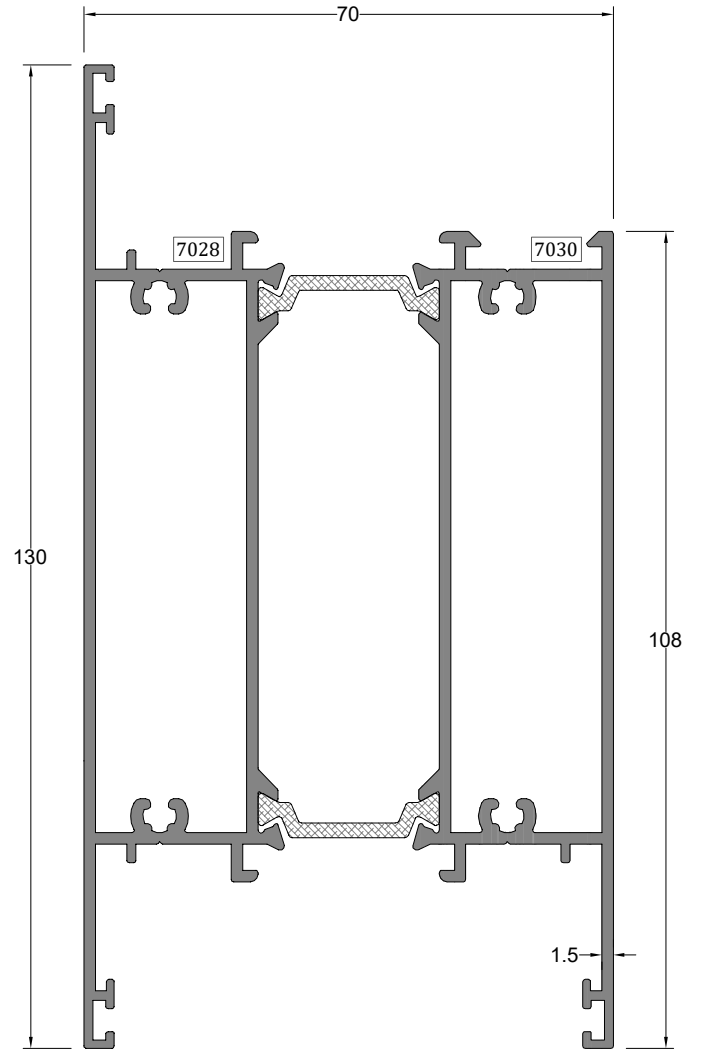
Adaptör Profili	Profil Kodu	(kg/mt)
ADAPTER PROFILE	Profile Code	Weight
	70-11927-7031	1,349



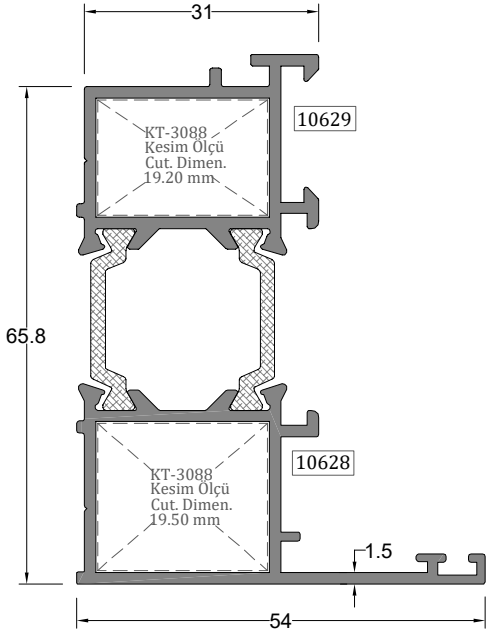
Adaptör Profili	Profil Kodu	(kg/mt)
ADAPTER PROFILE	Profile Code	Weight
	70-11926-7031	1,340



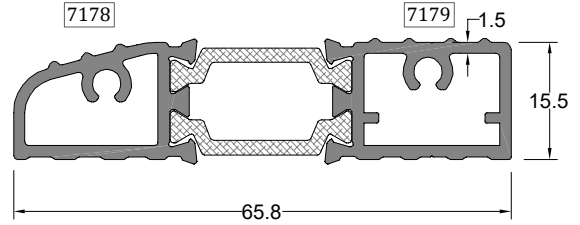
Etek Profili	Profil Kodu	(kg/mt)
BOTTOM PROFILE	Profile Code	Weight
	70-12096-7030	2,697



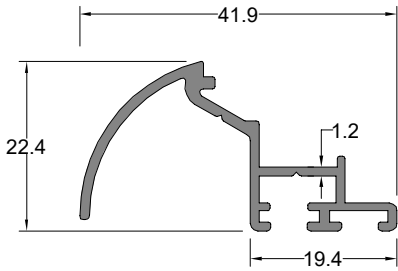
Etek Profili	Profil Kodu	(kg/mt)
BOTTOM PROFILE	Profile Code	Weight
	70-7030-7028	2,647



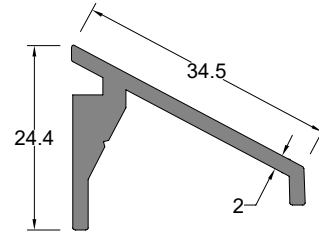
Dışa Açılır Adaptör Profili	Profil Kodu	(kg/mt)
OUTWARD OPENING ADAPTER PROFILE	Profile Code	Weight
	70-10629-10628	1,304



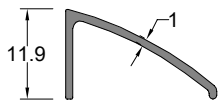
Kapı Altı Eşik Profili	Profil Kodu	(kg/mt)
DOOR THRESHOLD PROFILE	Profile Code	Weight
	70-7178-7179	1,019



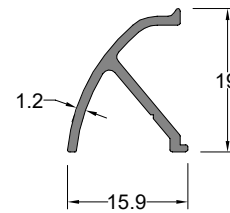
Damalılık Profili	Profil Kodu	(kg/mt)
SILL PROFILE	Profile Code	Weight
	12375	0,326



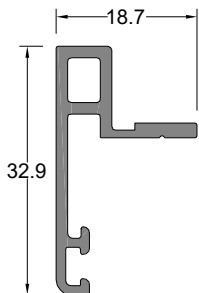
Damalılık Profili	Profil Kodu	(kg/mt)
SILL PROFILE	Profile Code	Weight
	1011	0,402



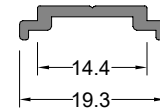
Damalılık Profili	Profil Kodu	(kg/mt)
SILL PROFILE	Profile Code	Weight
	4242	0,094



Damalılık Profili	Profil Kodu	(kg/mt)
SILL PROFILE	Profile Code	Weight
	7021	0,140

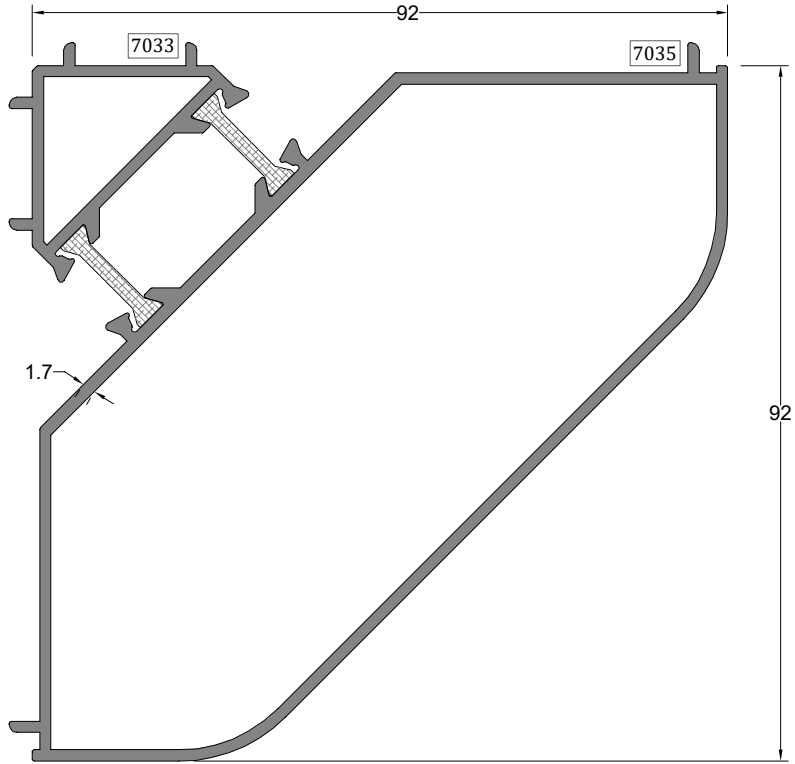


Kanat Altı Kapama Profili	Profil Kodu	(kg/mt)
SUB-SASH COVER PROFILE	Profile Code	Weight
	10923	0,295

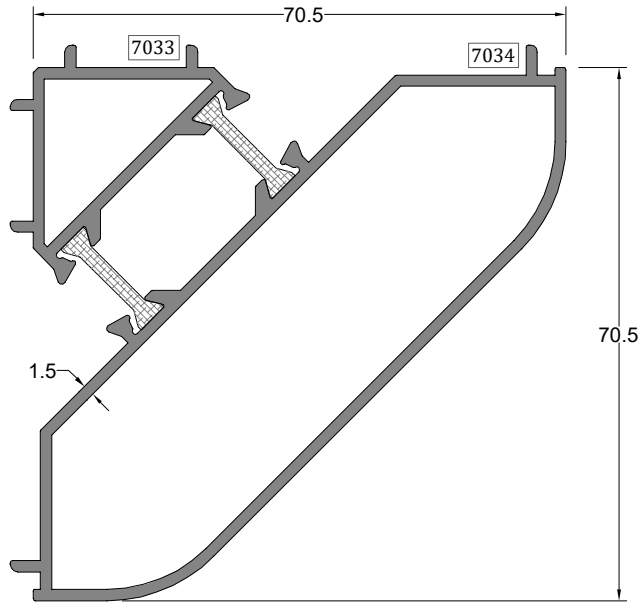


Tij Profili	Profil Kodu	(kg/mt)
STEM BAR PROFILE	Profile Code	Weight
	8241	0,099

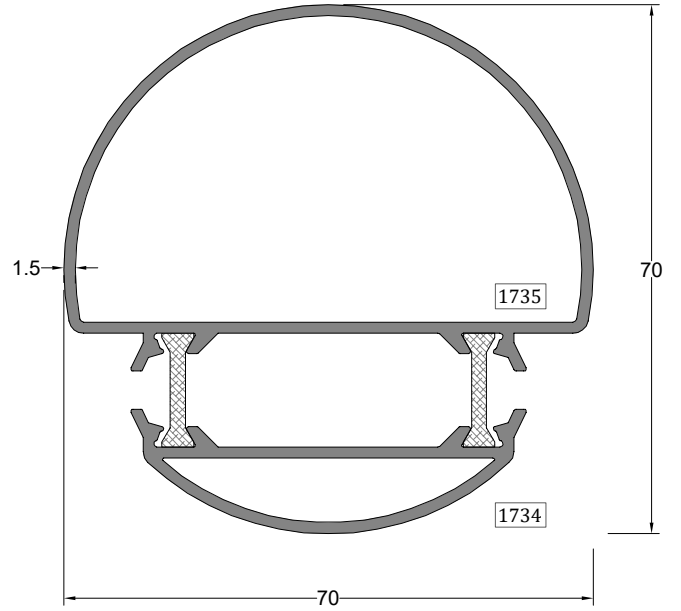
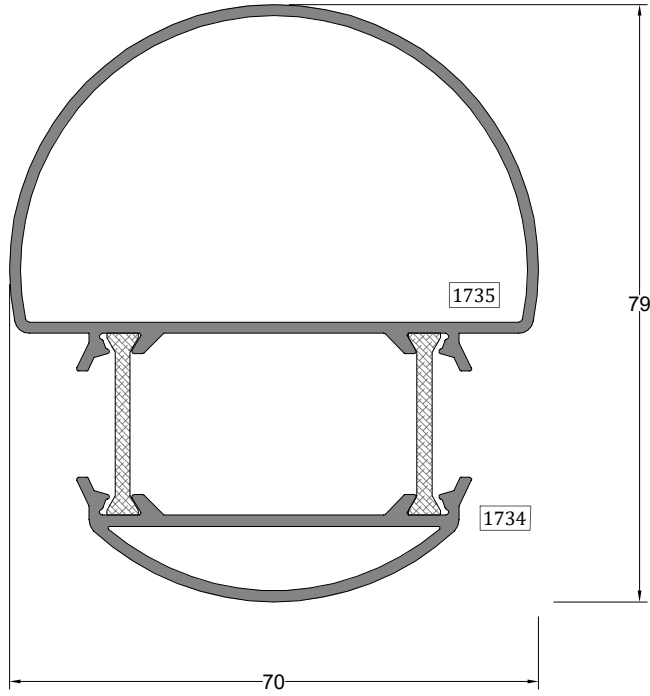
** Her profil için minimum sipariş 300 kg'dır.
** Minimum order quantity is 300 kg per profile.



Köşe Dönüş Profili CORNER PROFILE	Profil Kodu Profile Code	(kg/mt) Weight	Jx cm ⁴	Jy cm ⁴
	70-7033-7035	1,894	62,35	62,35



Köşe Dönüş Profili CORNER PROFILE	Profil Kodu Profile Code	(kg/mt) Weight	Jx cm ⁴	Jy cm ⁴
	55-7033-7034	1,531	26,72	26,72

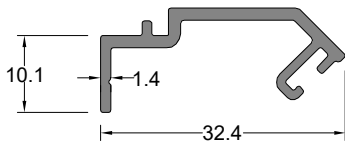


Köşe Dönüş Profili	Profil Kodu	(kg/mt)	Jx cm ⁴	Jy cm ⁴
CORNER PROFILE	Profile Code	Weight		
	55-1734-1735	1,465	22,53	21,83

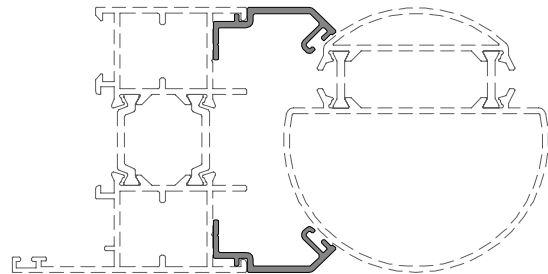
★ 70-7000-7001, 70-7004-7005, 6880-6879 nolu profiller çalışmaktadır.
Works with profiles 70-7000-7001, 70-7004-7005, 6880-6879.

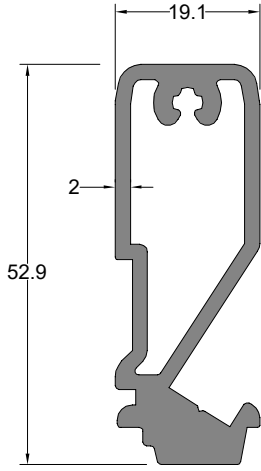
Köşe Dönüş Profili	Profil Kodu	(kg/mt)	Jx cm ⁴	Jy cm ⁴
CORNER PROFILE	Profile Code	Weight		
	70-1734-1735	1,481	32,51	26,21

★ 70-7000-7002, 70-7004-7006 nolu profiller ile çalışmaktadır.
Works with profiles 70-7000-7002, 70-7004-7006.



Adaptör Profili	Profil Kodu	(kg/mt)
ADAPTER PROFILE	Profile Code	Weight
	7180	0,244

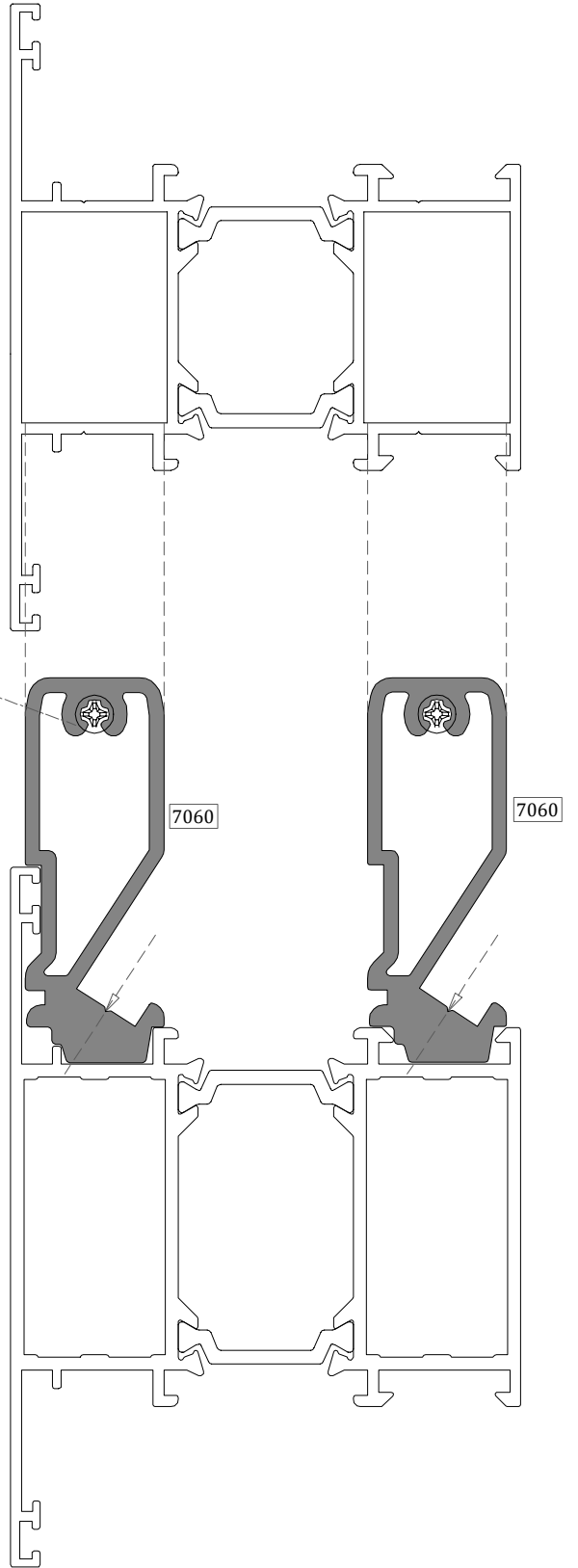




Orta Kayıt Bağlantı Profili
MULLION CONNECTION PROFILE

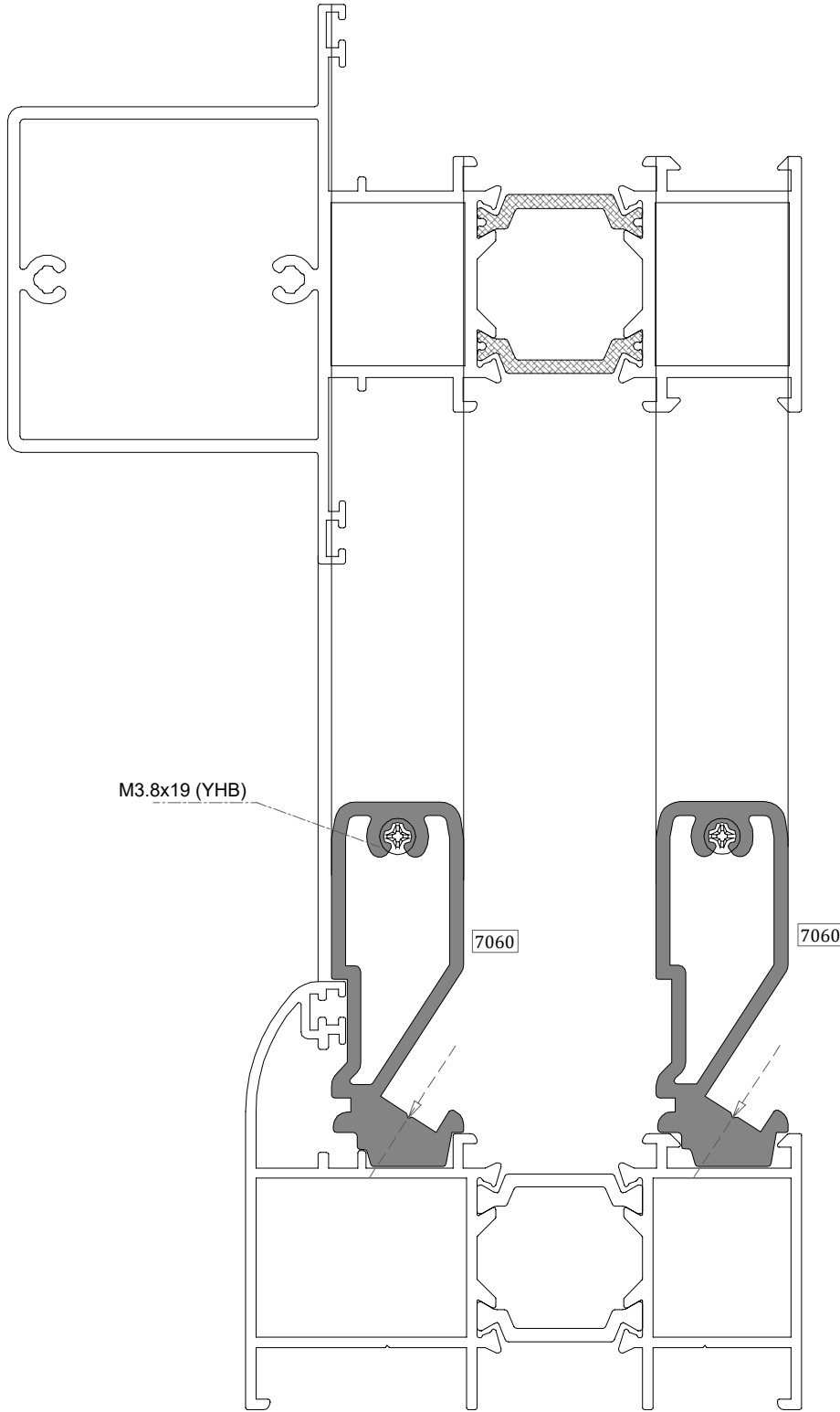
Profil Kodu Profile Code	(kg/mt) Weight
7060	1.007

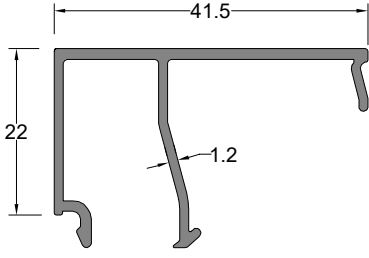
M3.8x19 (YHB)



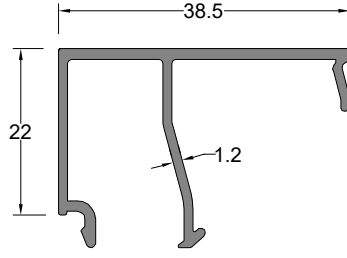
Orta Kayıt Bağlantı Profil Kodu Mullion Connection Profile Code	Stok Kodu Reference Code	Kullanıldığı Profil Compatible Profile	Kesim Boyu (mm) Cutting Length (mm)
7060	OKB-7060-225	7047-7046	22,50 mm
	OKB-7060-230	8764-8763	23,00 mm
	OKB-7060-285	7045-7044	28,50 mm
	OKB-7060-373	7057-7056	37,30 mm
	OKB-7060-215	8764-7175	21,50 mm

** Her profil için minimum sipariş 300 kg'dır.
** Minimum order quantity is 300 kg per profile.

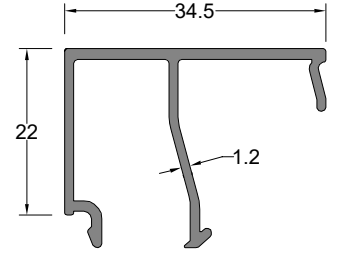




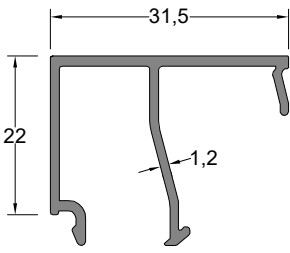
Cam Çıtası	Profil Kodu	(kg/mt)
GLAZING BEAD	Profile Code	Weight
	3537	0,367



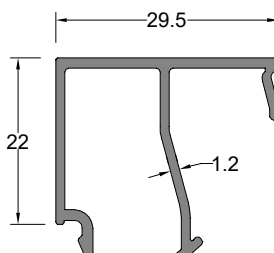
Cam Çıtası	Profil Kodu	(kg/mt)
GLAZING BEAD	Profile Code	Weight
	1749	0,356



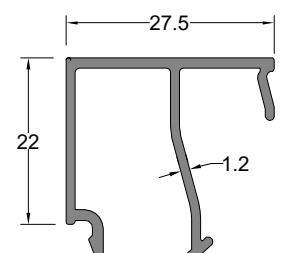
Cam Çıtası	Profil Kodu	(kg/mt)
GLAZING BEAD	Profile Code	Weight
	1747	0,340



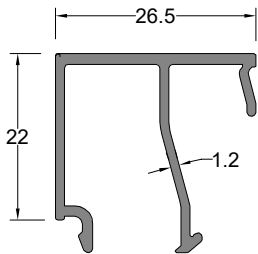
Cam Çıtası	Profil Kodu	(kg/mt)
GLAZING BEAD	Profile Code	Weight
	3536	0,329



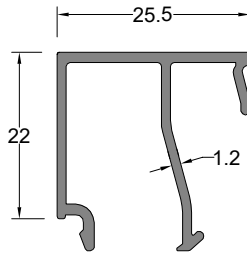
Cam Çıtası	Profil Kodu	(kg/mt)
GLAZING BEAD	Profile Code	Weight
	3636	0,321



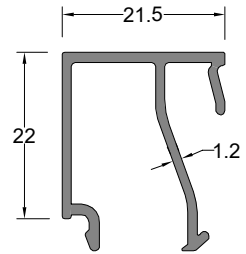
Cam Çıtası	Profil Kodu	(kg/mt)
GLAZING BEAD	Profile Code	Weight
	1966	0,314



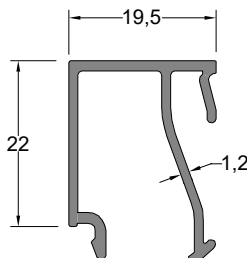
Cam Çıtası	Profil Kodu	(kg/mt)
GLAZING BEAD	Profile Code	Weight
	2236	0,310



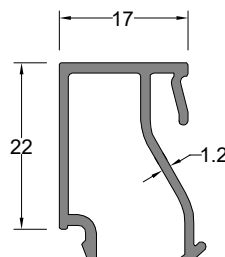
Cam Çıtası	Profil Kodu	(kg/mt)
GLAZING BEAD	Profile Code	Weight
	1949	0,306



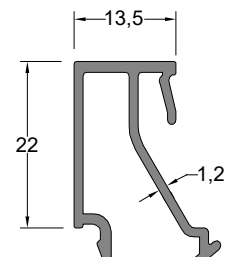
Cam Çıtası	Profil Kodu	(kg/mt)
GLAZING BEAD	Profile Code	Weight
	1745	0,292



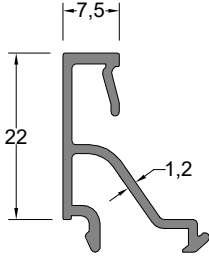
Cam Çıtası	Profil Kodu	(kg/mt)
GLAZING BEAD	Profile Code	Weight
	1699	0,285



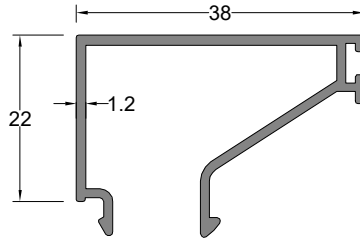
Cam Çıtası	Profil Kodu	(kg/mt)
GLAZING BEAD	Profile Code	Weight
	3539	0,277



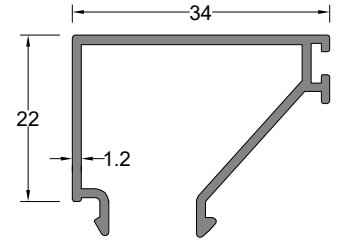
Cam Çıtası	Profil Kodu	(kg/mt)
GLAZING BEAD	Profile Code	Weight
	1698	0,270



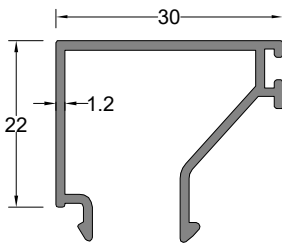
Cam Çıtası	Profil Kodu	(kg/mt)
GLAZING BEAD	Profile Code	Weight
	1948	0,235



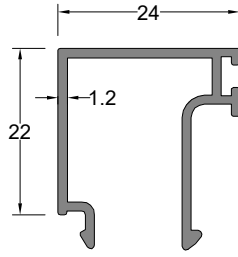
Cam Çıtası	Profil Kodu	(kg/mt)
GLAZING BEAD	Profile Code	Weight
	7043	0,336



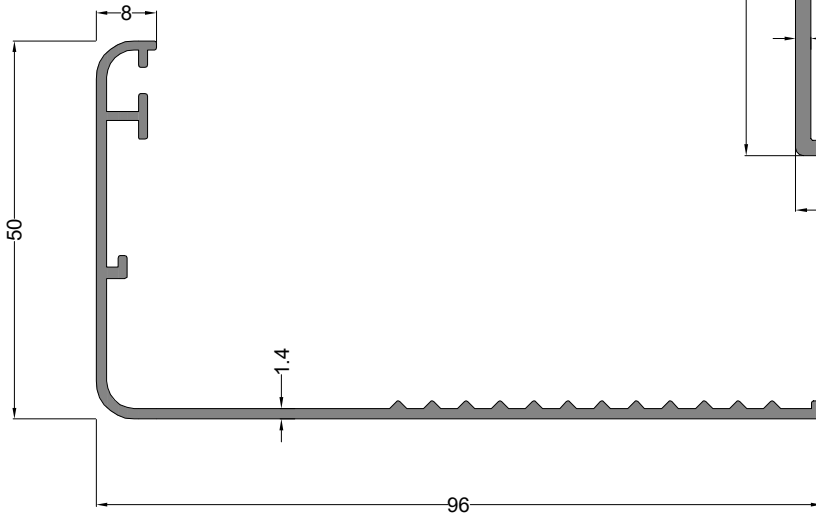
Cam Çıtası	Profil Kodu	(kg/mt)
GLAZING BEAD	Profile Code	Weight
	676	0,331



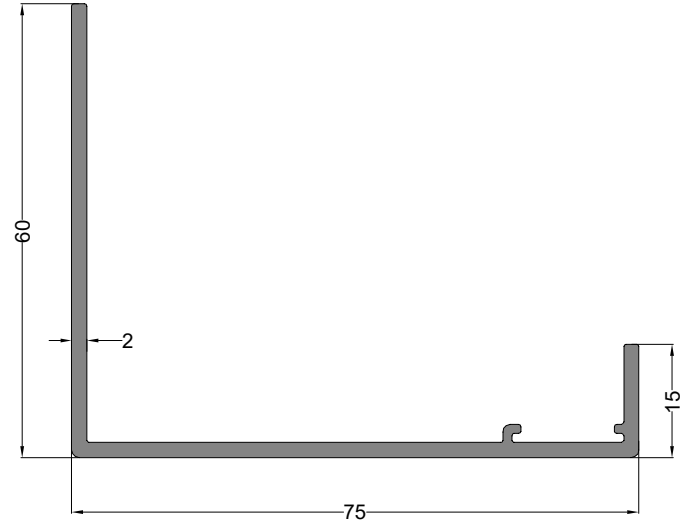
Cam Çıtası	Profil Kodu	(kg/mt)
GLAZING BEAD	Profile Code	Weight
	7036	0,319



Cam Çıtası	Profil Kodu	(kg/mt)
GLAZING BEAD	Profile Code	Weight
	7023	0,294

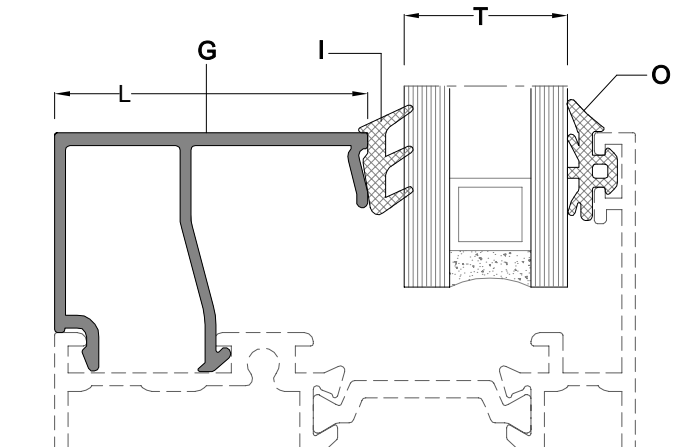


Pervaz Profili	Profil Kodu	(kg/mt)
SILL PROFILE	Profile Code	Weight
	553	0,656

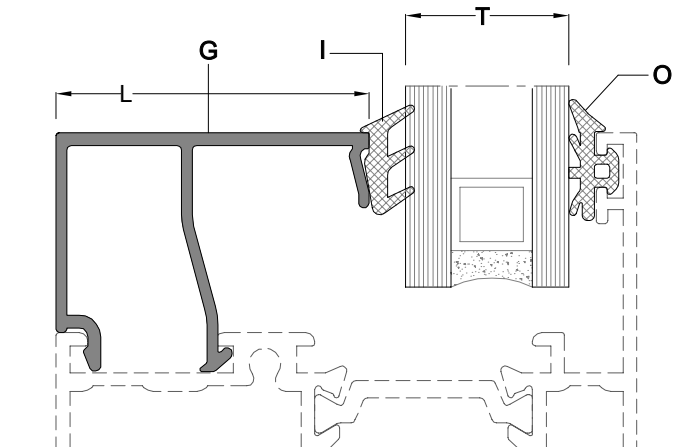


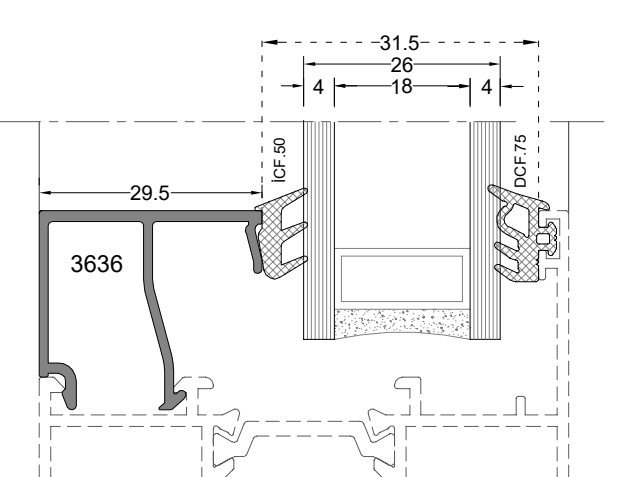
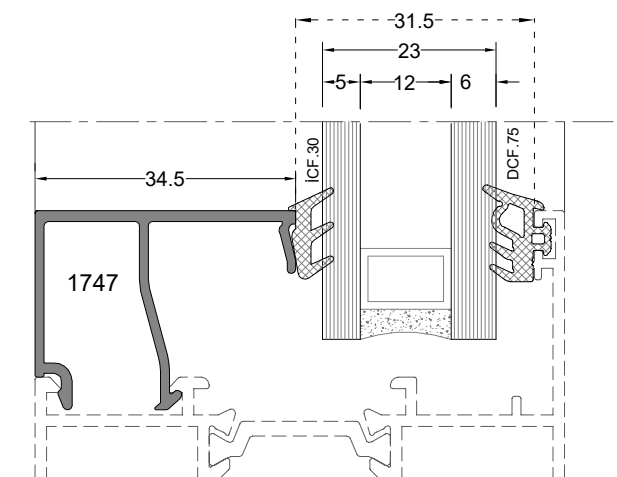
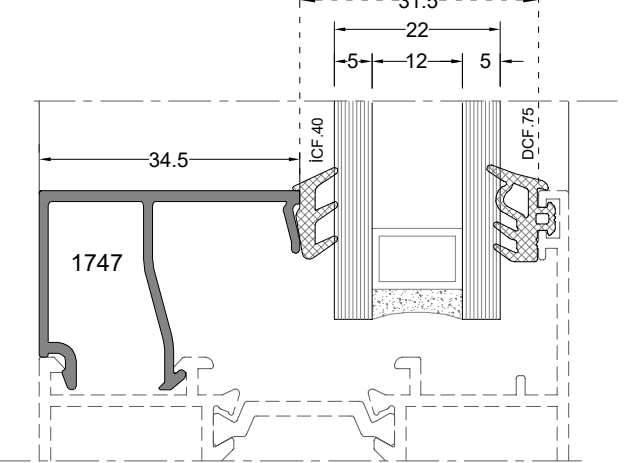
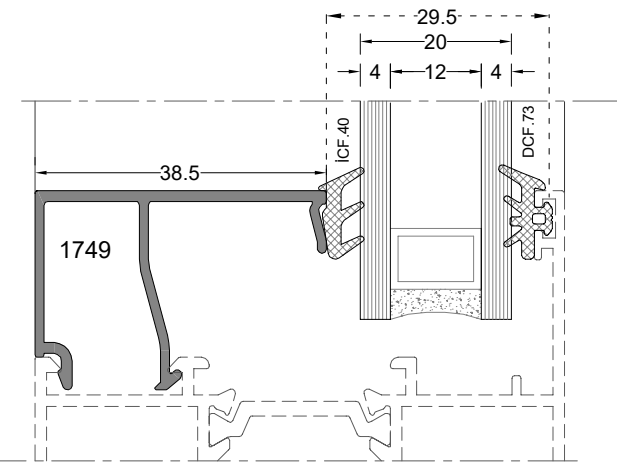
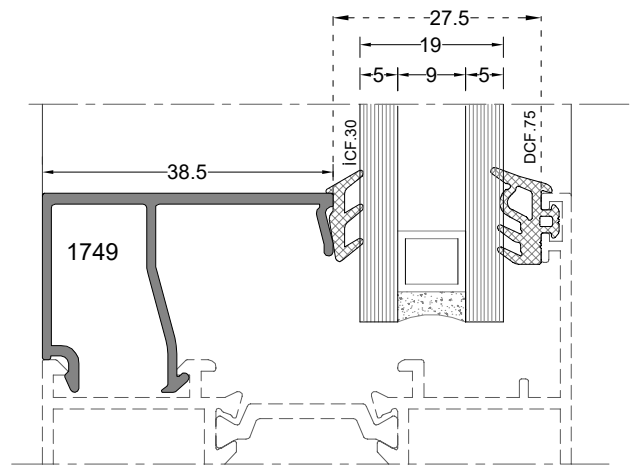
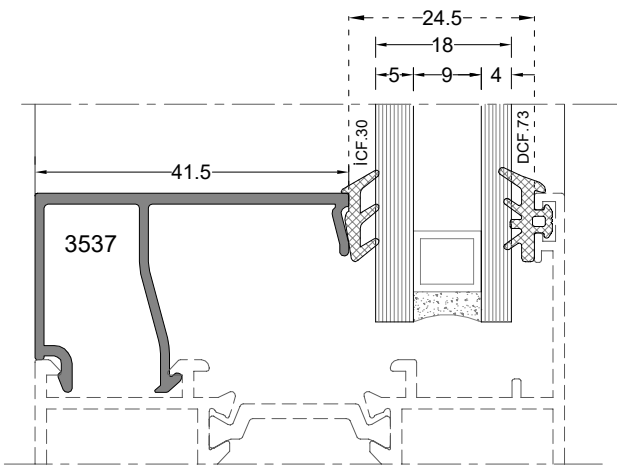
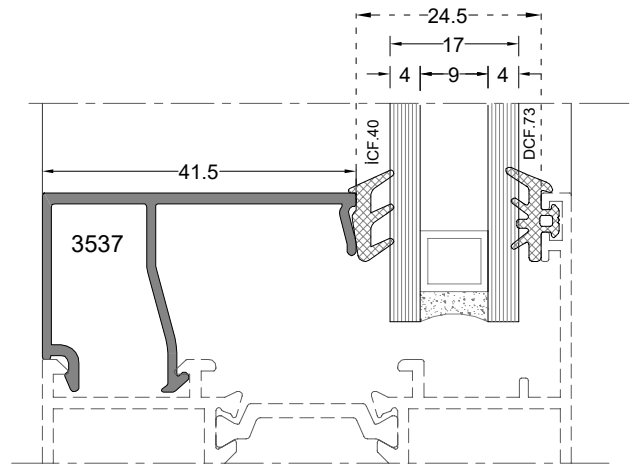
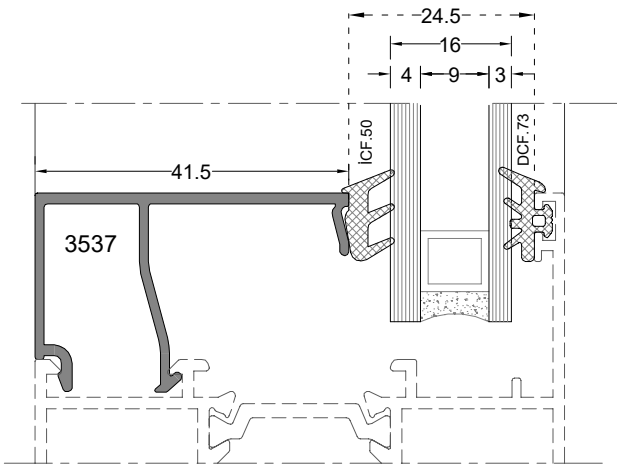
Pervaz Profili	Profil Kodu	(kg/mt)
SILL PROFILE	Profile Code	Weight
	10012	0,805

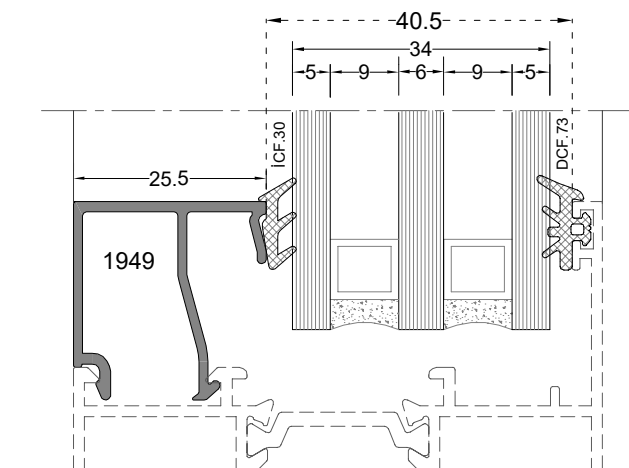
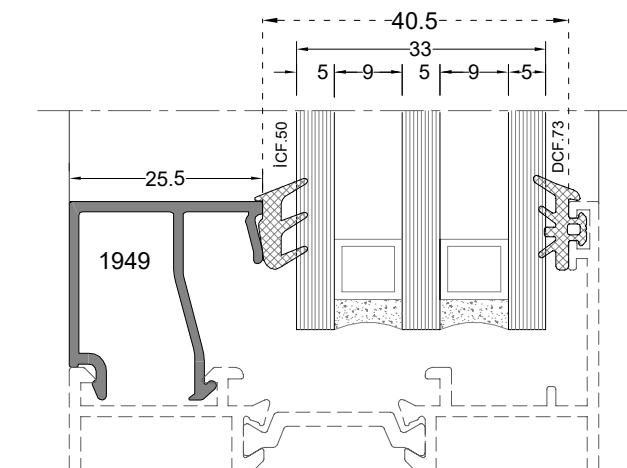
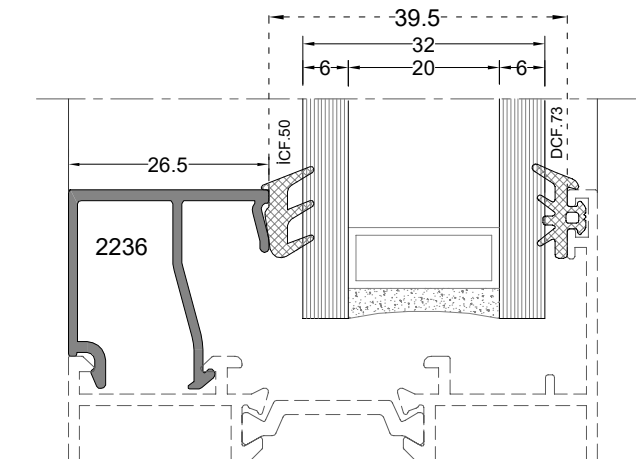
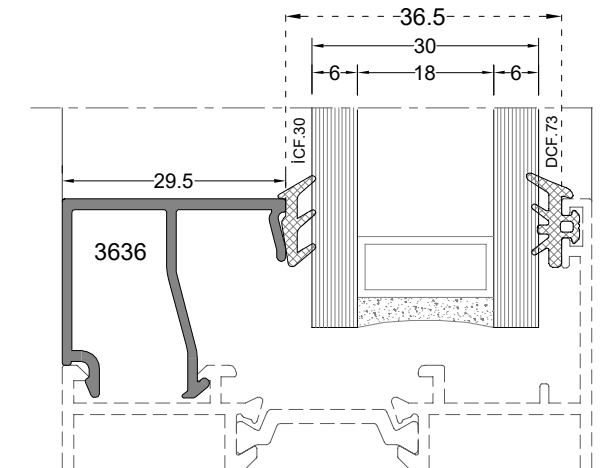
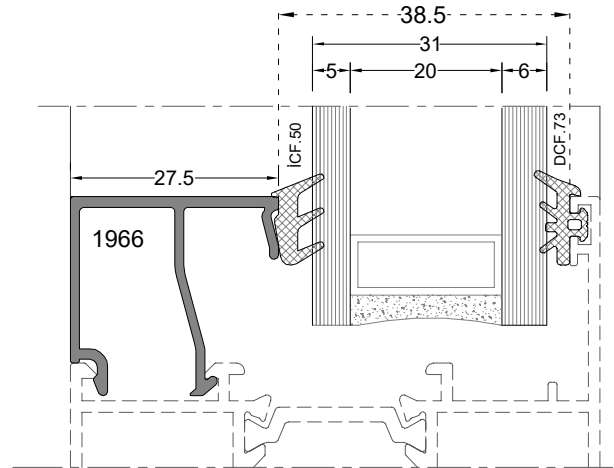
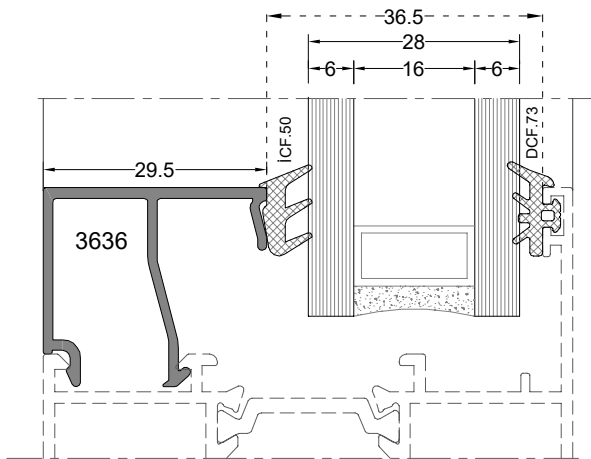
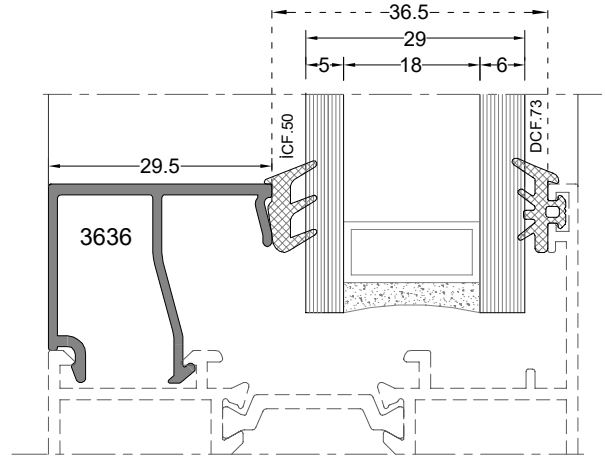
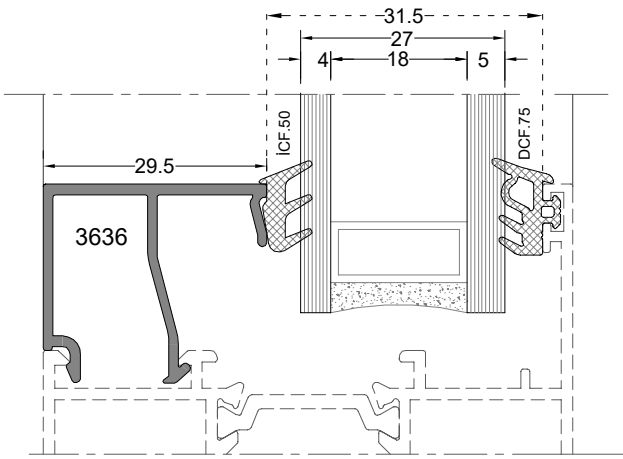
CAM ÇİTASI GLAZING BEAD (G)	CAM ÇİTASI UZUNLUĞU GLAZING BEAD LENGTH (L)	İÇ CAM FİTİLİ GLAZING GASKET(inside) (I)	CAM KALINLIĞI GLASS THICKNESS (T)	DIŞ CAM FİTİLİ GLAZING GASKET(outside) (O)
3537	41,5 mm	İCF.50	16 mm	DCF.73
3537	41,5 mm	İCF.40	17 mm	DCF.73
3537	41,5 mm	İCF.30	18 mm	DCF.73
1749	38,5 mm	İCF.30	19 mm	DCF.75
1749	38,5 mm	İCF.40	20 mm	DCF.73
1747	34,5 mm	İCF.40	22 mm	DCF.75
1747	34,5 mm	İCF.30	23 mm	DCF.75
1748	34,5 mm	İCF.50	26 mm	DCF.75
3636	29,5 mm	İCF.40	27 mm	DCF.75
3636	29,5 mm	İCF.50	28 mm	DCF.73
3636	29,5 mm	İCF.50	29 mm	DCF.73
3636	29,5 mm	İCF.30	30 mm	DCF.73
1966	27,5 mm	İCF.40	31 mm	DCF.73
2236	26,5 mm	İCF.40	32 mm	DCF.73
1949	25,5 mm	İCF.40	33 mm	DCF.73
1949	25,5 mm	İCF.30	34 mm	DCF.73
1745	21,5 mm	İCF.40	35 mm	DCF.75
1745	21,5 mm	İCF.50	36 mm	DCF.73
1745	21,5 mm	İCF.40	37 mm	DCF.73
1745	21,5 mm	İCF.30	38 mm	DCF.73
1699	19,5 mm	İCF.40	39 mm	DCF.73

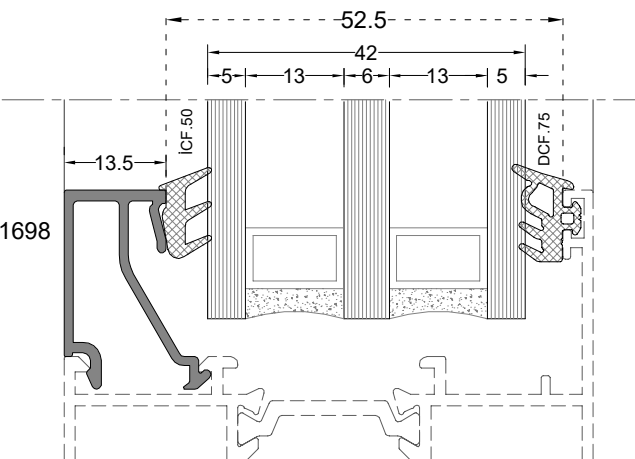
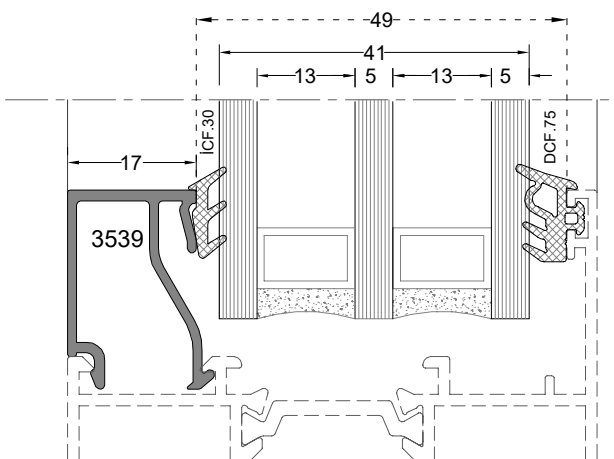
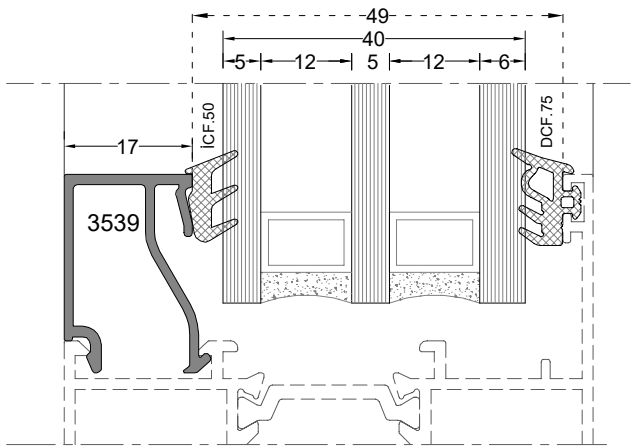
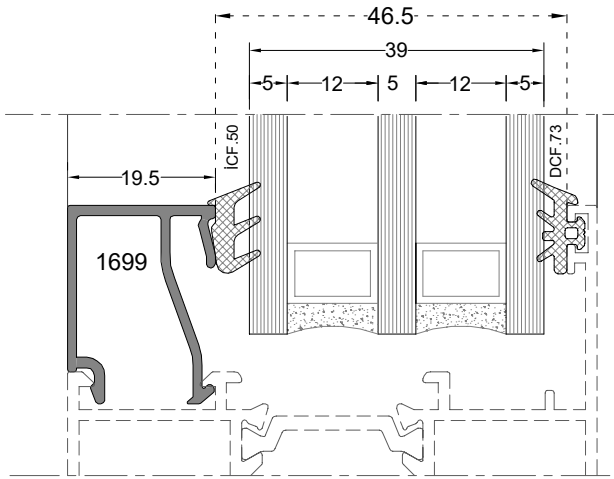
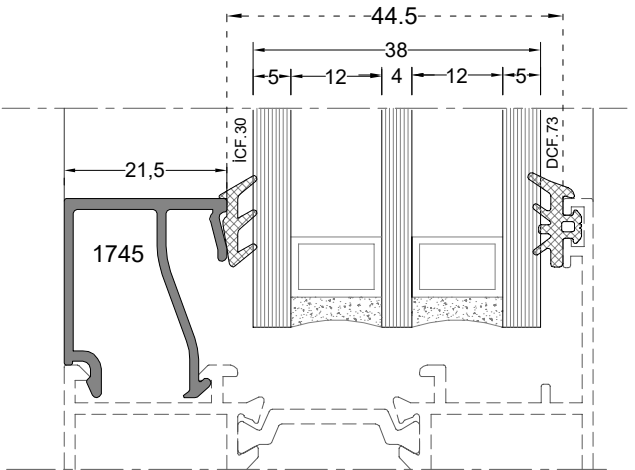
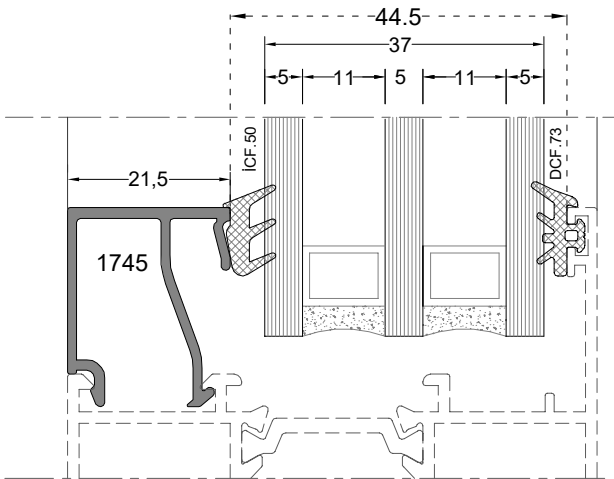
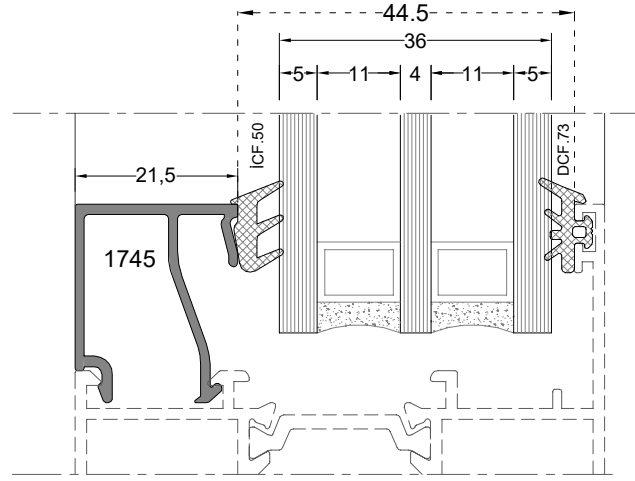
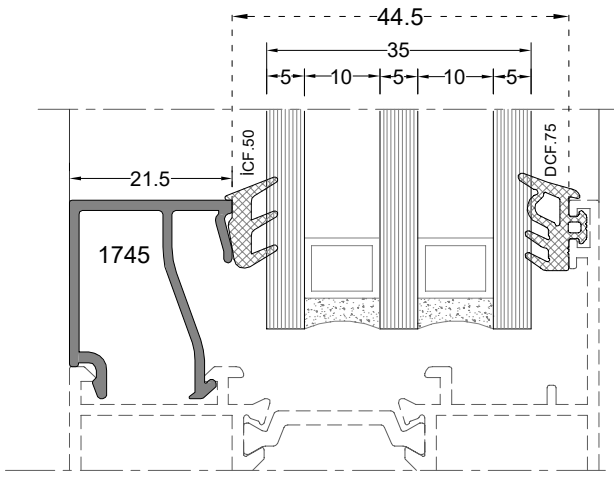


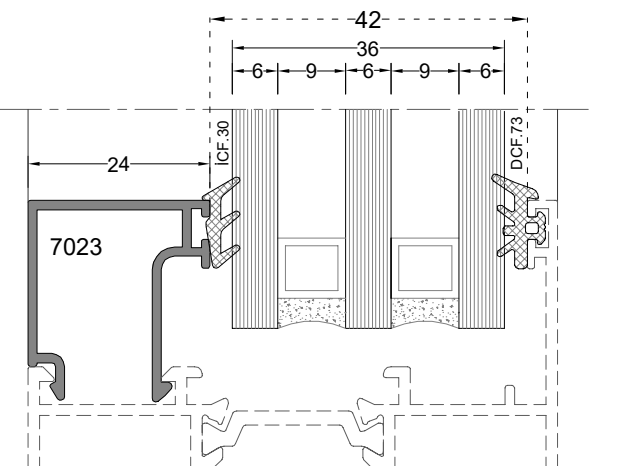
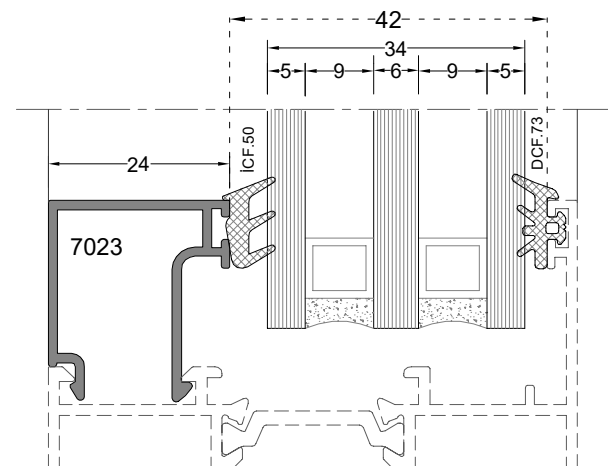
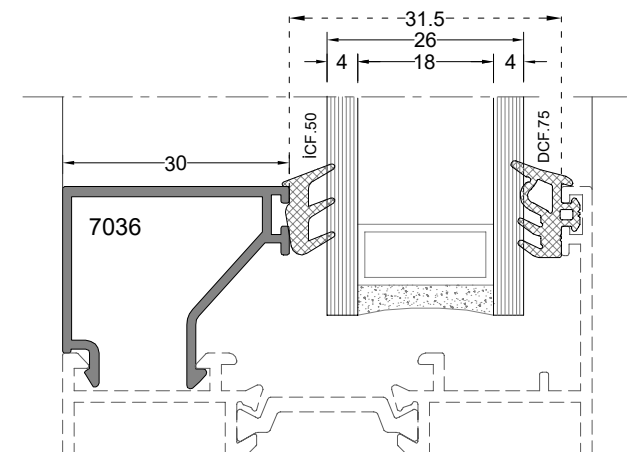
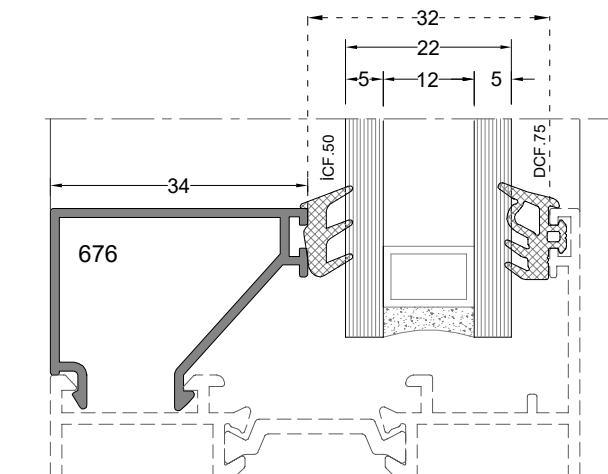
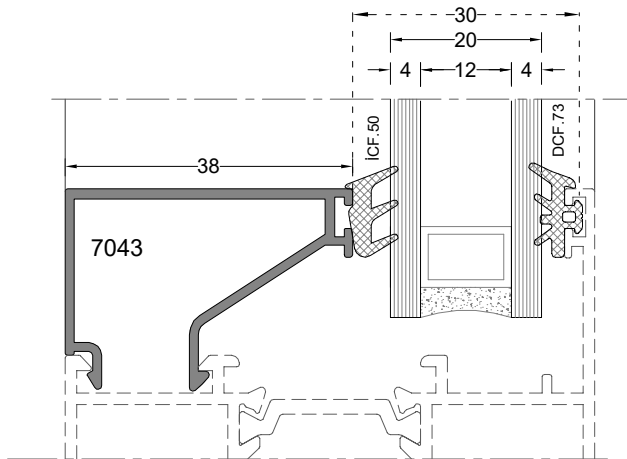
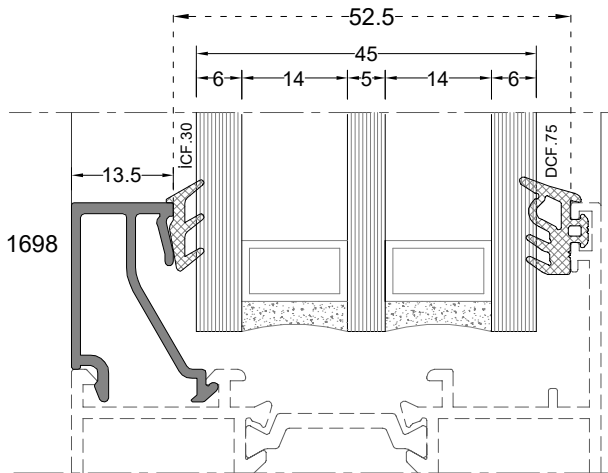
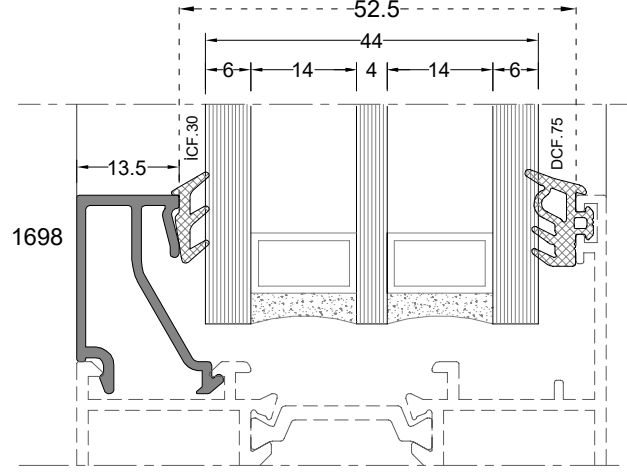
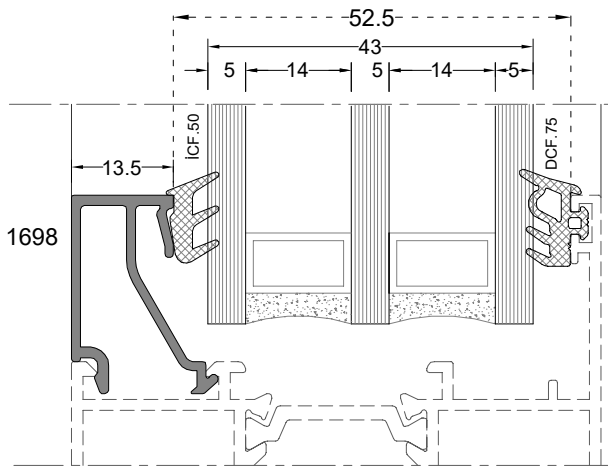
CAM ÇİTASI GLAZING BEAD (G)	CAM ÇİTASI UZUNLUĞU GLAZING BEAD LENGTH (L)	İÇ CAM FİTİLİ GLAZING GASKET(inside) (I)	CAM KALINLIĞI GLASS THICKNESS (T)	DIŞ CAM FİTİLİ GLAZING GASKET(outside) (O)
3539	17,5 mm	İCF.40	40 mm	DCF.75
3539	17,5 mm	İCF.30	41 mm	DCF.75
1698	13,5 mm	İCF.50	42 mm	DCF.75
1698	13,5 mm	İCF.40	43 mm	DCF.75
1698	13,5 mm	İCF.30	44 mm	DCF.75
1698	13,5 mm	İCF.30	45 mm	DCF.75
7043	38 mm	İCF.50	20 mm	DCF.73
676	34 mm	İCF.50	22 mm	DCF.75
7036	30 mm	İCF.50	26 mm	DCF.75
7023	24 mm	İCF.50	34 mm	DCF.73
7023	24 mm	İCF.30	36 mm	DCF.73

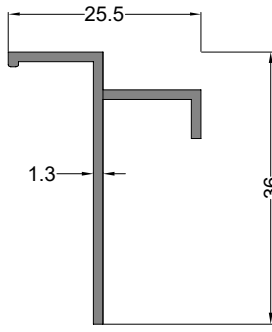




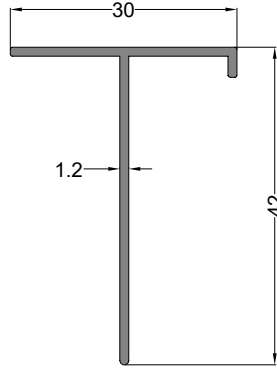




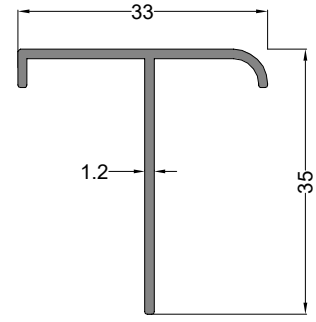




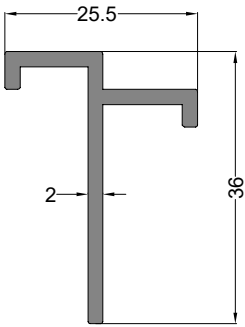
T Bağlantı Profili	Profil Kodu	(kg/mt)
T CONNECTION PROFILE	Profile Code	Weight
	1121	0,233



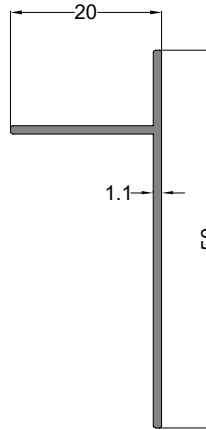
T Bağlantı Profili	Profil Kodu	(kg/mt)
T CONNECTION PROFILE	Profile Code	Weight
	1035	0,240



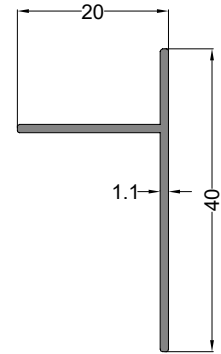
T Bağlantı Profili	Profil Kodu	(kg/mt)
T CONNECTION PROFILE	Profile Code	Weight
	1139	0,236



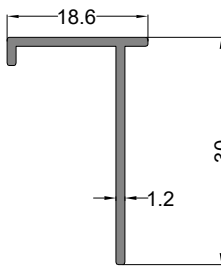
T Bağlantı Profili	Profil Kodu	(kg/mt)
T CONNECTION PROFILE	Profile Code	Weight
	1123	0,355



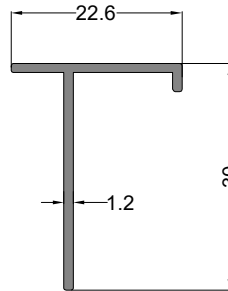
T Bağlantı Profili	Profil Kodu	(kg/mt)
T CONNECTION PROFILE	Profile Code	Weight
	5788	0,205



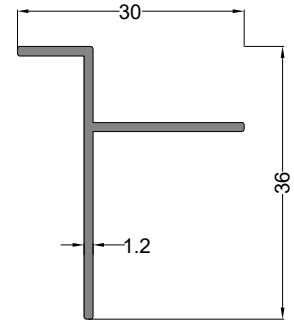
T Bağlantı Profili	Profil Kodu	(kg/mt)
T CONNECTION PROFILE	Profile Code	Weight
	6414	0,175



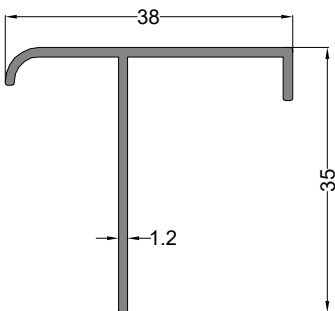
T Bağlantı Profili	Profil Kodu	(kg/mt)
T CONNECTION PROFILE	Profile Code	Weight
	3917	0,162



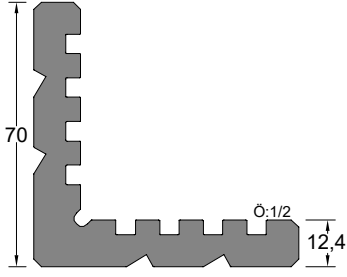
T Bağlantı Profili	Profil Kodu	(kg/mt)
T CONNECTION PROFILE	Profile Code	Weight
	3832	0,175



T Bağlantı Profili	Profil Kodu	(kg/mt)
T CONNECTION PROFILE	Profile Code	Weight
	3818	0,210

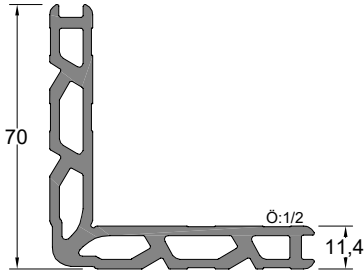


T Bağlantı Profili	Profil Kodu	(kg/mt)
T CONNECTION PROFILE	Profile Code	Weight
	7039	0,260



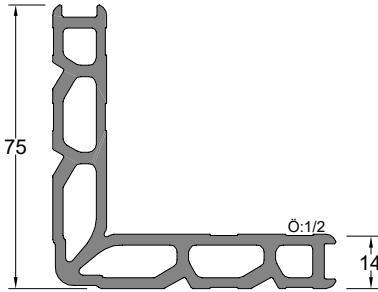
Köşe Takoz Profili CORNER WEDGE PROFILE	Profil Kodu Profile Code	(kg/mt) Weight
	413	3,667

Köşe Takozu Profil Kodu Corner Wedge Profile Code	Kullanıldığı Profil Compatible Profile	Kesim Boyu (mm) Cutting Length (mm)
413	7009	12,00 mm
	7016	26,50 mm



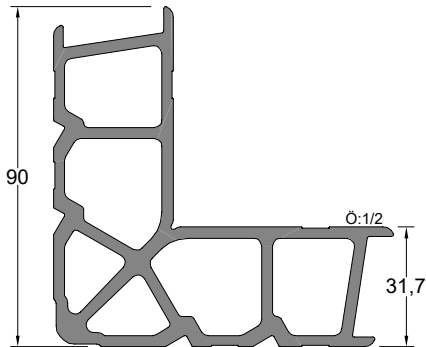
Köşe Takoz Profili CORNER WEDGE PROFILE	Profil Kodu Profile Code	(kg/mt) Weight
	5022	2,245

Köşe Takozu Profil Kodu Corner Wedge Profile Code	Kullanıldığı Profil Compatible Profile	Kesim Boyu (mm) Cutting Length (mm)
5022	7008	26,50 mm



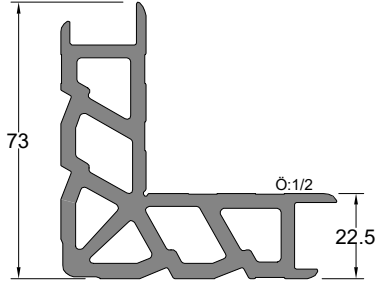
Köşe Takoz Profili CORNER WEDGE PROFILE	Profil Kodu Profile Code	(kg/mt) Weight
	1662	2,576

Köşe Takozu Profil Kodu Corner Wedge Profile Code	Kullanıldığı Profil Compatible Profile	Kesim Boyu (mm) Cutting Length (mm)
1662	7018	27,00 mm
	7058	26,40 mm



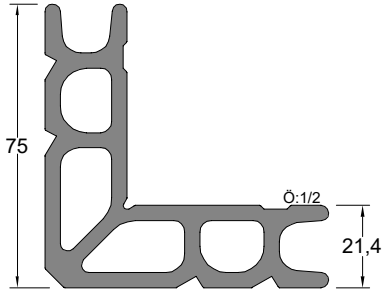
Köşe Takoz Profili CORNER WEDGE PROFILE	Profil Kodu Profile Code	(kg/mt) Weight
	7022	3,952

Köşe Takozu Profil Kodu Corner Wedge Profile Code	Kullanıldığı Profil Compatible Profile	Kesim Boyu (mm) Cutting Length (mm)
7022	7042	12,00 mm



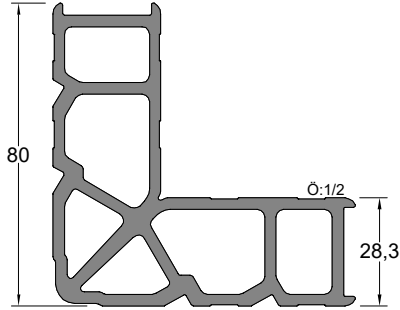
Köşe Takoz Profili CORNER WEDGE PROFILE	Profil Kodu Profile Code	(kg/mt) Weight
	3088	2,608

Köşe Takozu Profil Kodu Corner Wedge Profile Code	Kullanıldığı Profil Compatible Profile	Kesim Boyu (mm) Cutting Length (mm)
3088	7004,7005,7038	19,50 mm
	7054	18,50 mm
	7006	30,00 mm
	7007	41,00 mm
	7055,7046	29,00 mm
	7017	27,00 mm
	7011,11824	12,00 mm
	7047	18,50 mm
	6880,6879	19,00 mm



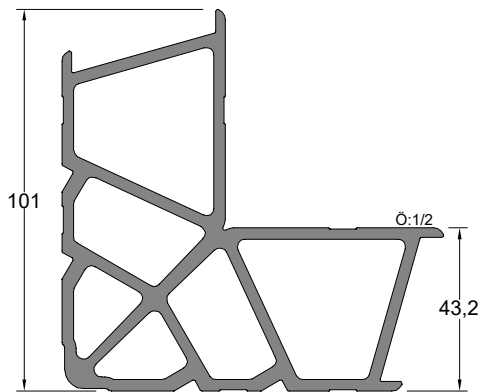
Köşe Takoz Profili CORNER WEDGE PROFILE	Profil Kodu Profile Code	(kg/mt) Weight
	1661	3,629

Köşe Takozu Profil Kodu Corner Wedge Profile Code	Kullanıldığı Profil Compatible Profile	Kesim Boyu (mm) Cutting Length (mm)
1661	7048	26,00 mm
	7049	11,00 mm
	7059	11,40 mm



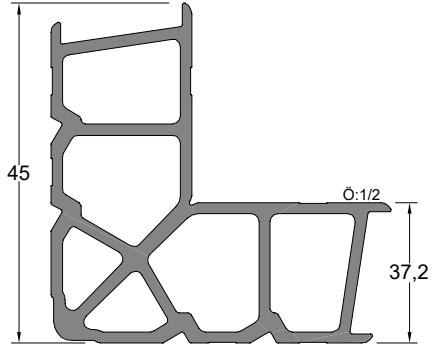
Köşe Takoz Profili CORNER WEDGE PROFILE	Profil Kodu Profile Code	(kg/mt) Weight
	1663	3,526

Köşe Takozu Profil Kodu Corner Wedge Profile Code	Kullanıldığı Profil Compatible Profile	Kesim Boyu (mm) Cutting Length (mm)
1663	7044	19,50 mm
	7045	19,50 mm



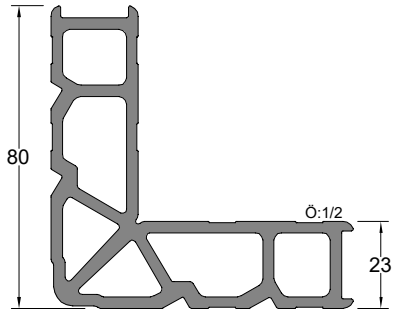
Köşe Takoz Profili CORNER WEDGE PROFILE	Profil Kodu Profile Code	(kg/mt) Weight
	3698	4,241

Köşe Takozu Profil Kodu Corner Wedge Profile Code	Kullanıldığı Profil Compatible Profile	Kesim Boyu (mm) Cutting Length (mm)
3698	7013,7015,11825	12,00 mm
	7012,7014	26,50 mm
	11826	27,00 mm



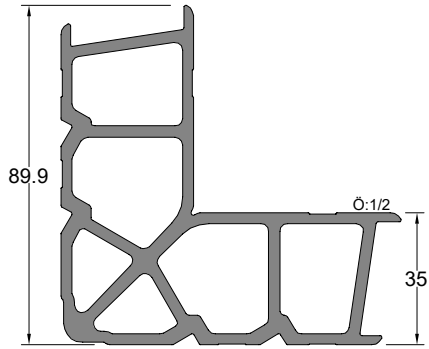
Köşe Takoz Profili CORNER WEDGE PROFILE	Profil Kodu Profile Code	(kg/mt) Weight
	1664	3,991

Köşe Takozu Profil Kodu Corner Wedge Profile Code	Kullanıldığı Profil Compatible Profile	Kesim Boyu (mm) Cutting Length (mm)
1664	7056,7057	18,90 mm



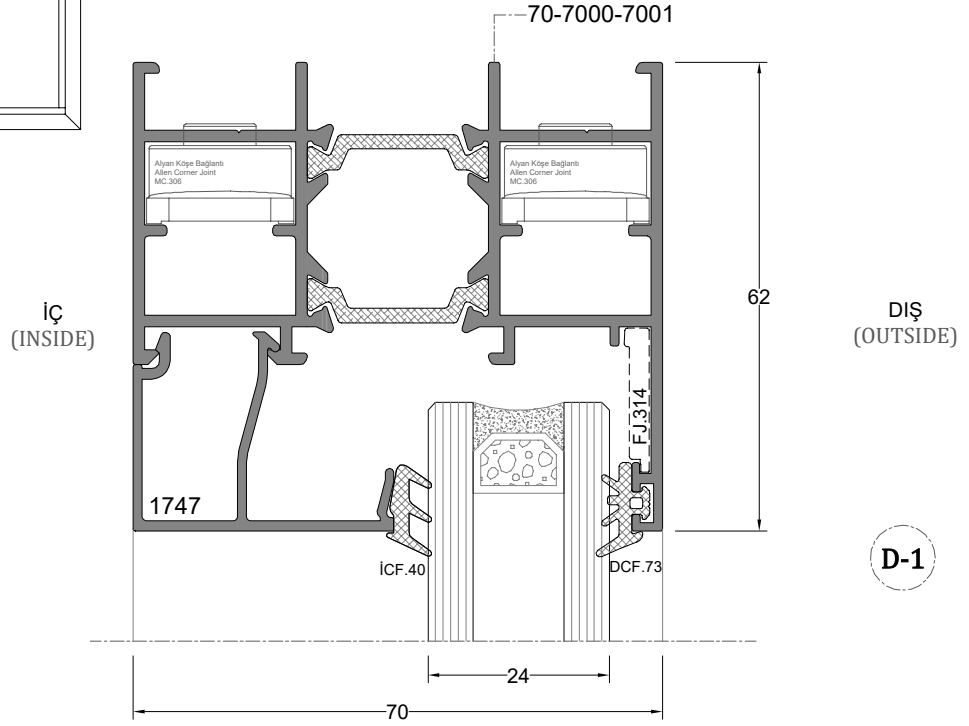
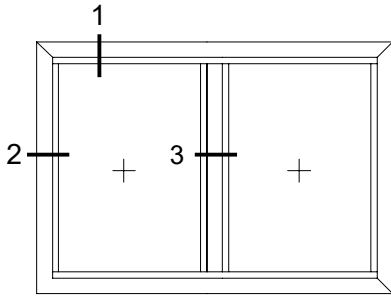
Köşe Takoz Profili CORNER WEDGE PROFILE	Profil Kodu Profile Code	(kg/mt) Weight
	3546	3,357

Köşe Takozu Profil Kodu Corner Wedge Profile Code	Kullanıldığı Profil Compatible Profile	Kesim Boyu (mm) Cutting Length (mm)
3546	7041	27,00 mm
	8763	18,90 mm
	8764	18,90 mm
	11886	18,90 mm
	12789	18,90 mm
7175	18,90 mm	

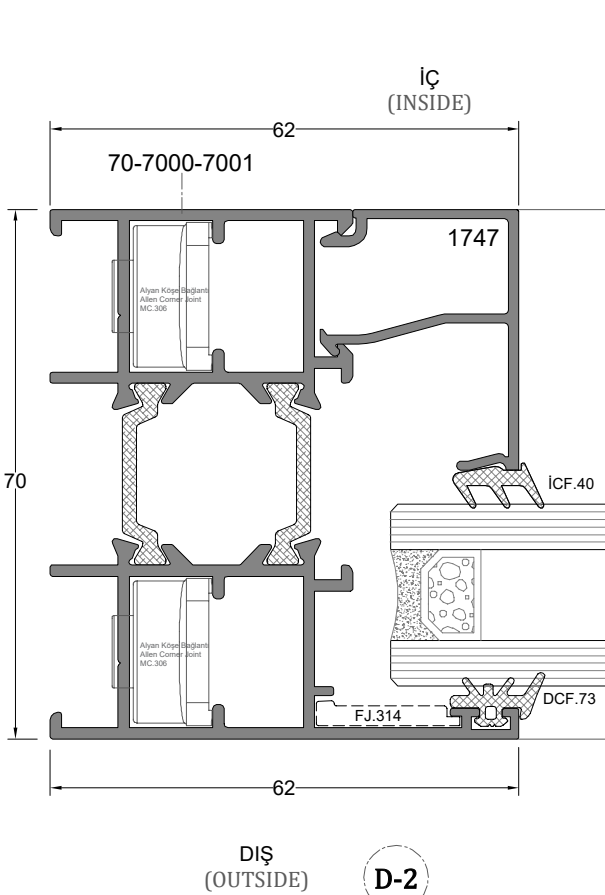


Köşe Takoz Profili CORNER WEDGE PROFILE	Profil Kodu Profile Code	(kg/mt) Weight
	7040	3,398

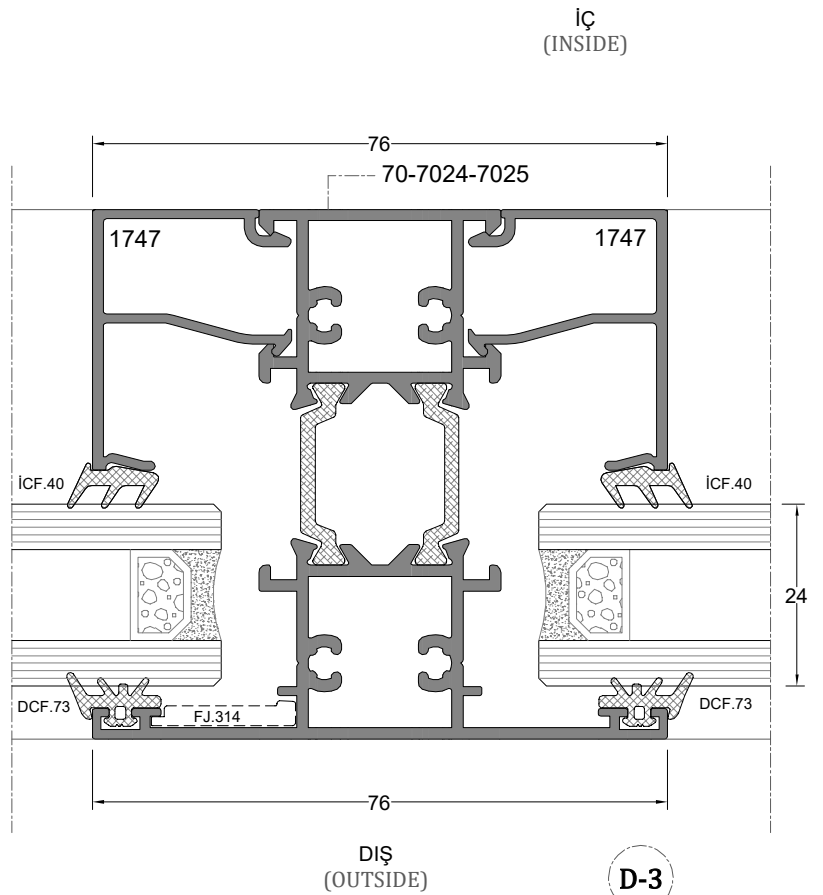
Köşe Takozu Profil Kodu Corner Wedge Profile Code	Kullanıldığı Profil Compatible Profile	Kesim Boyu (mm) Cutting Length (mm)
7040	7019,7020	27,00 mm



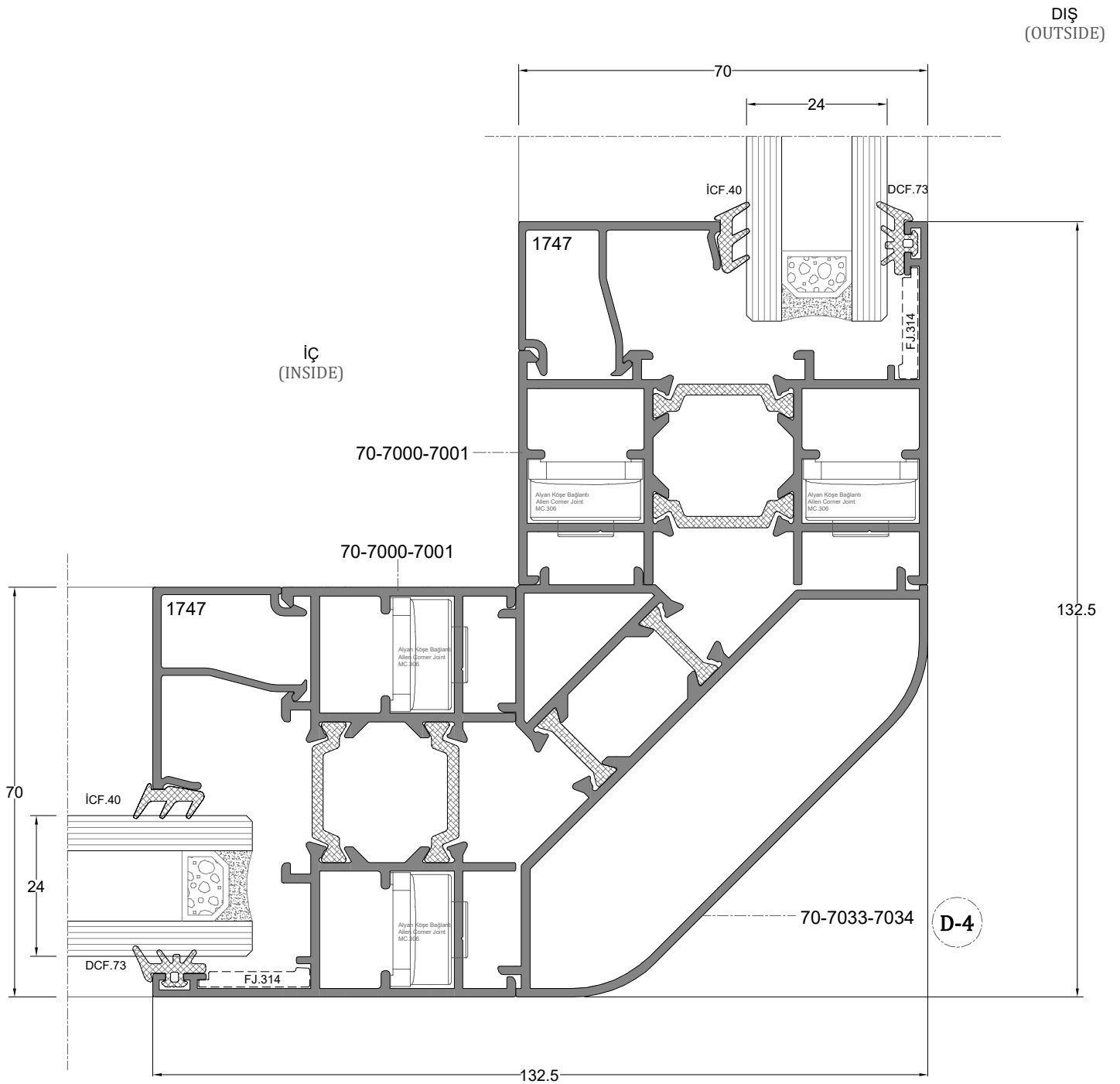
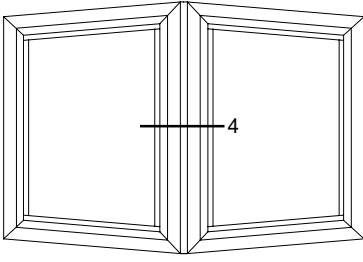
D-1

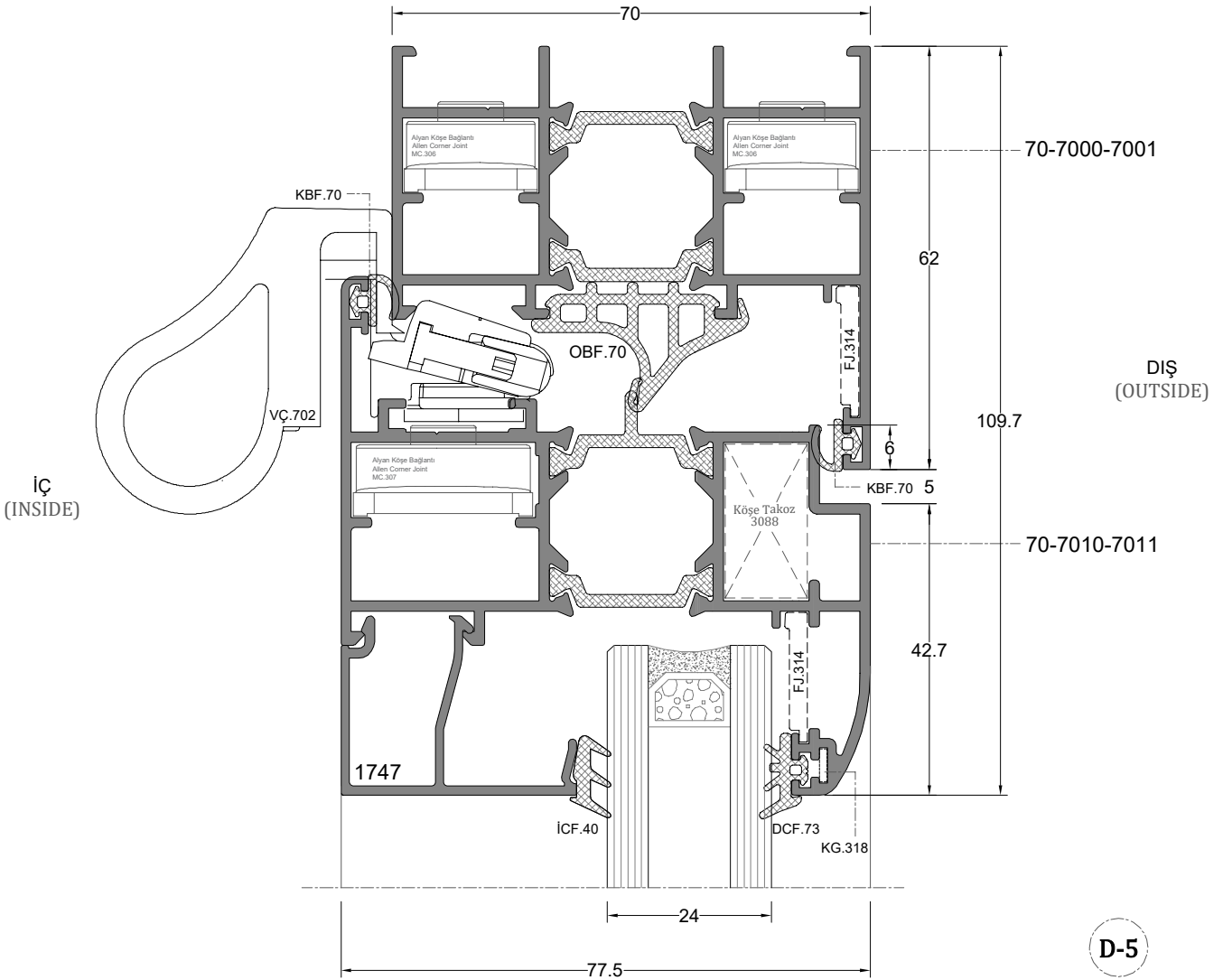
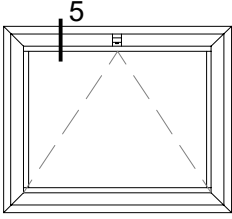


D-2

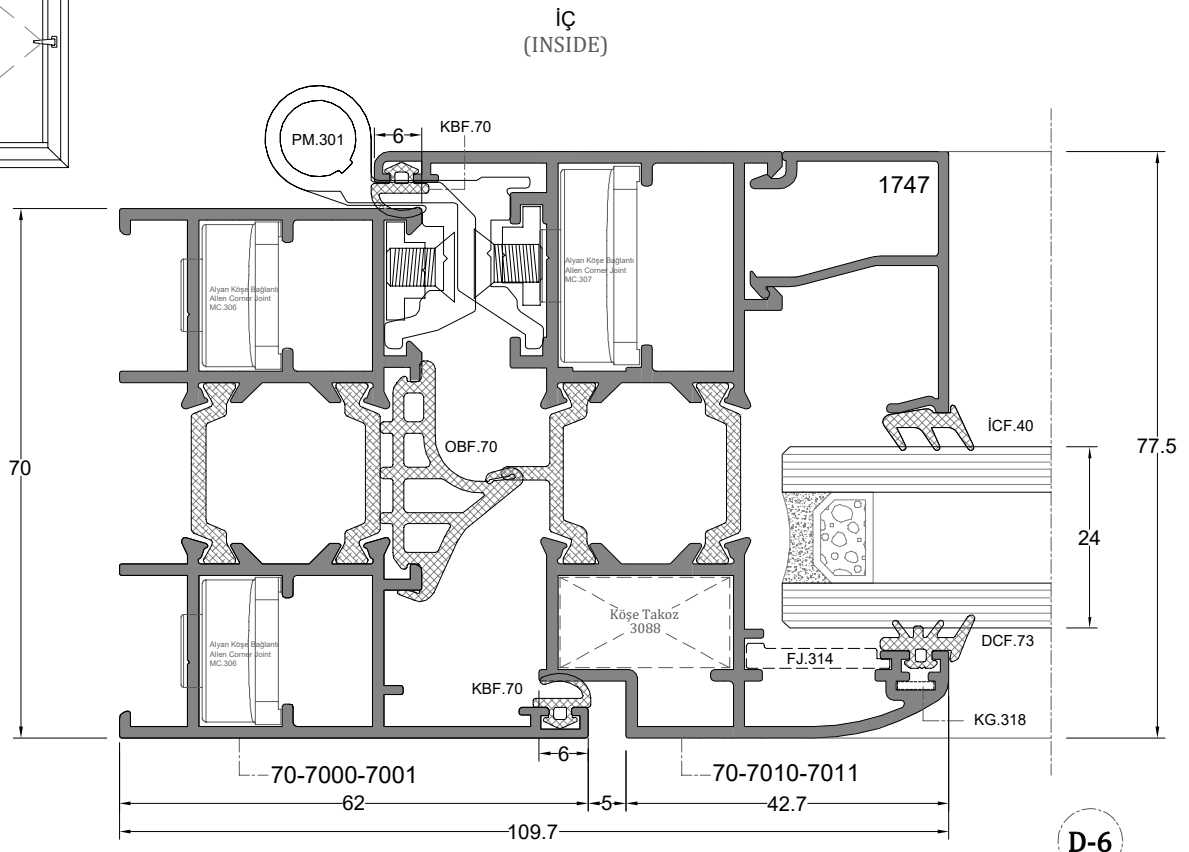
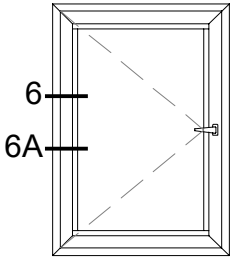


D-3

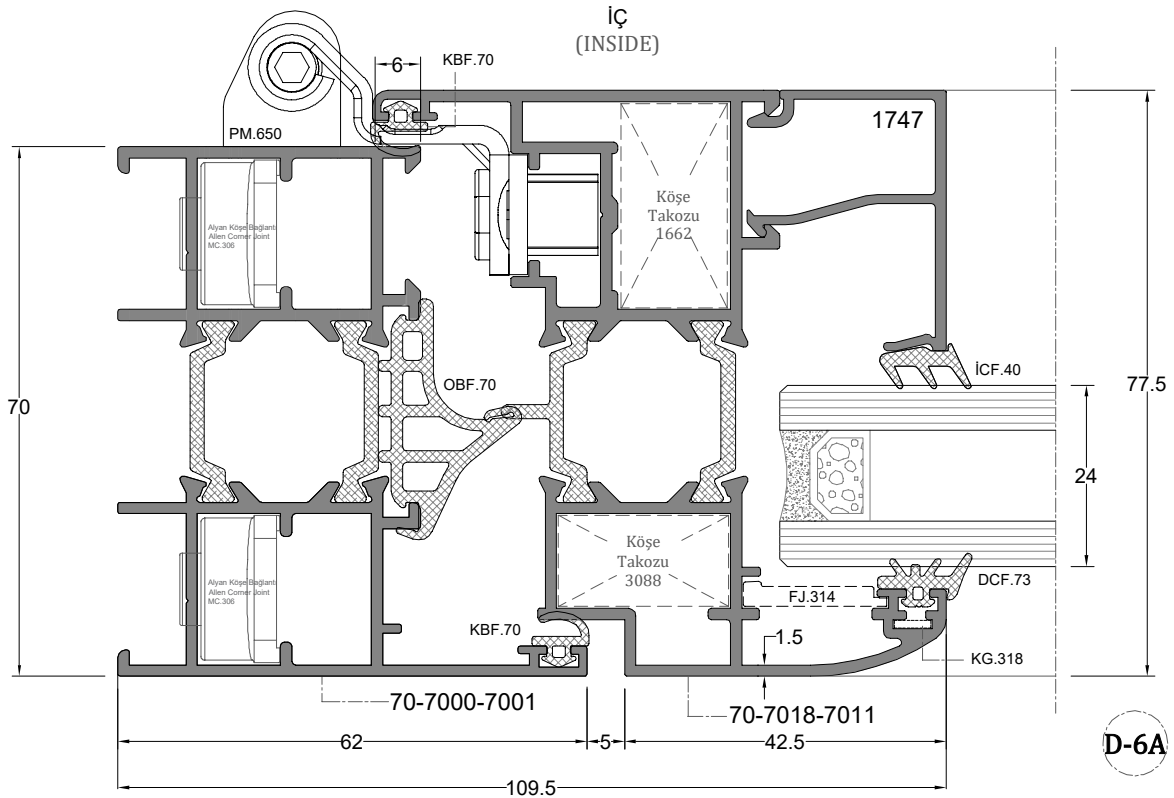




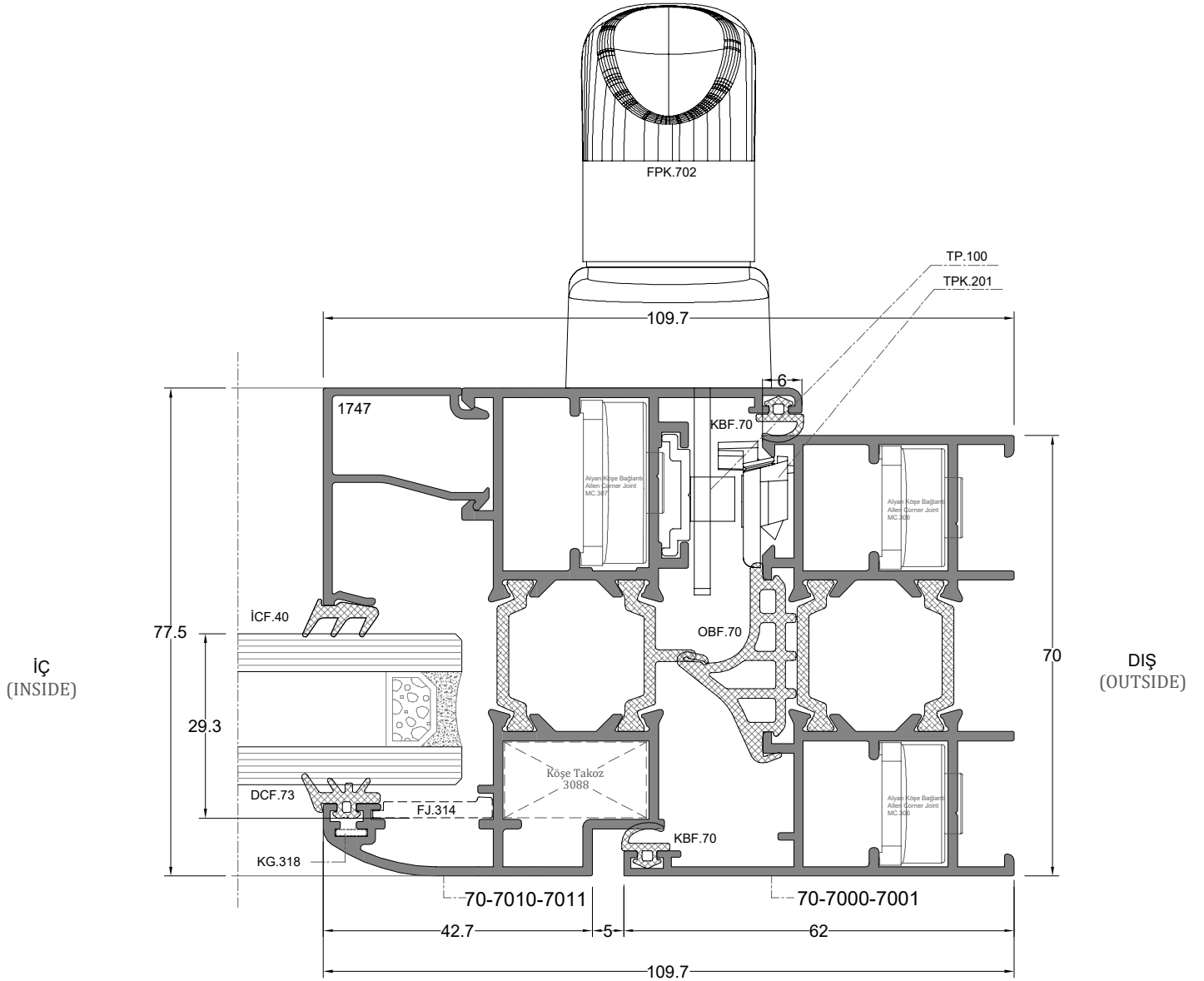
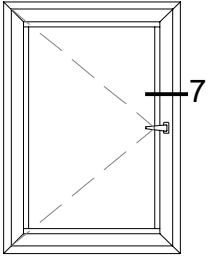
D-5



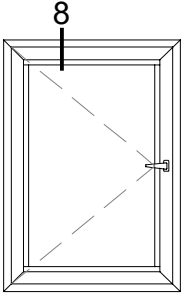
DIŞ (OUTSIDE)



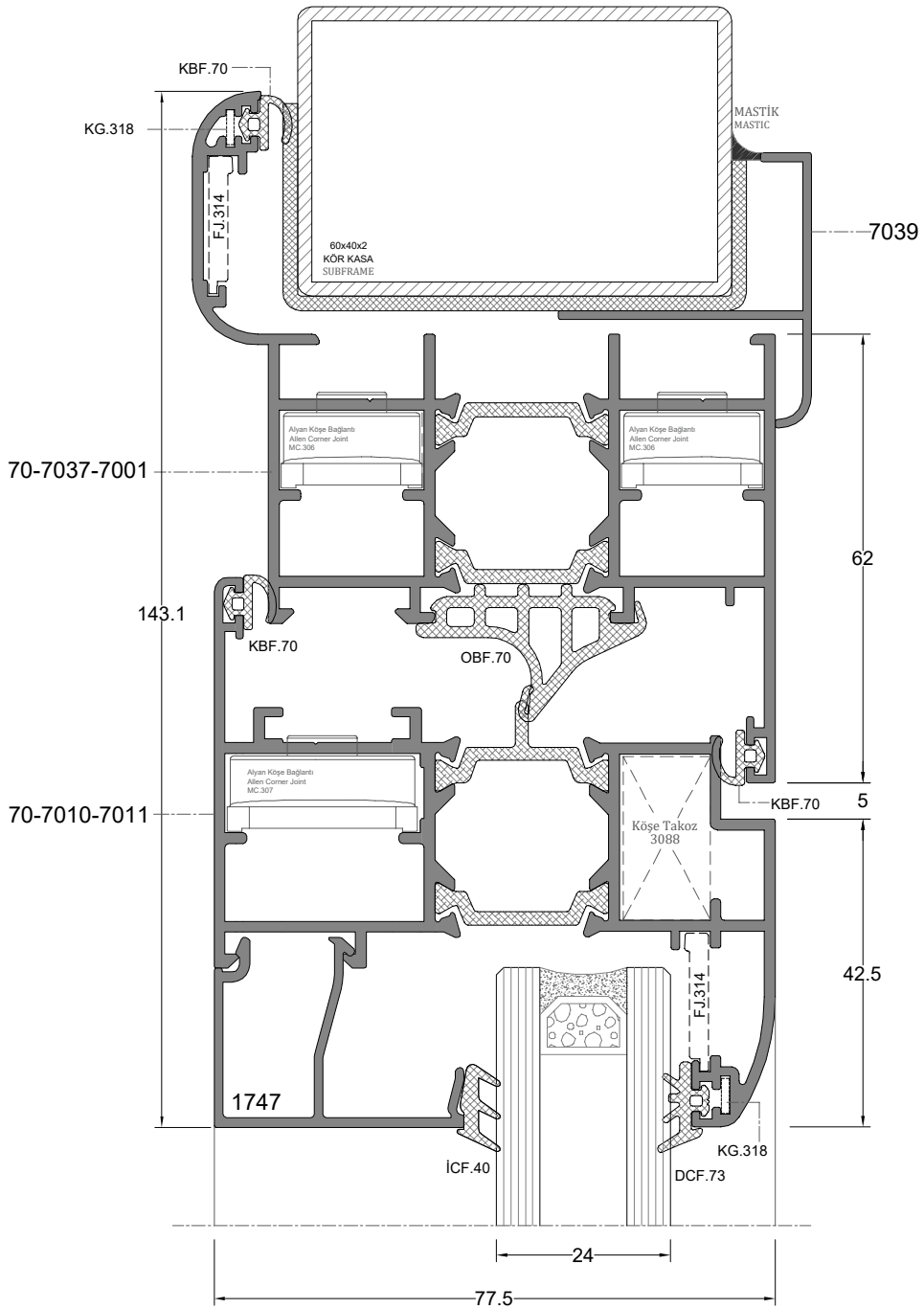
DIŞ (OUTSIDE)



D-7

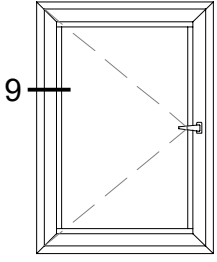


İÇ
(INSIDE)

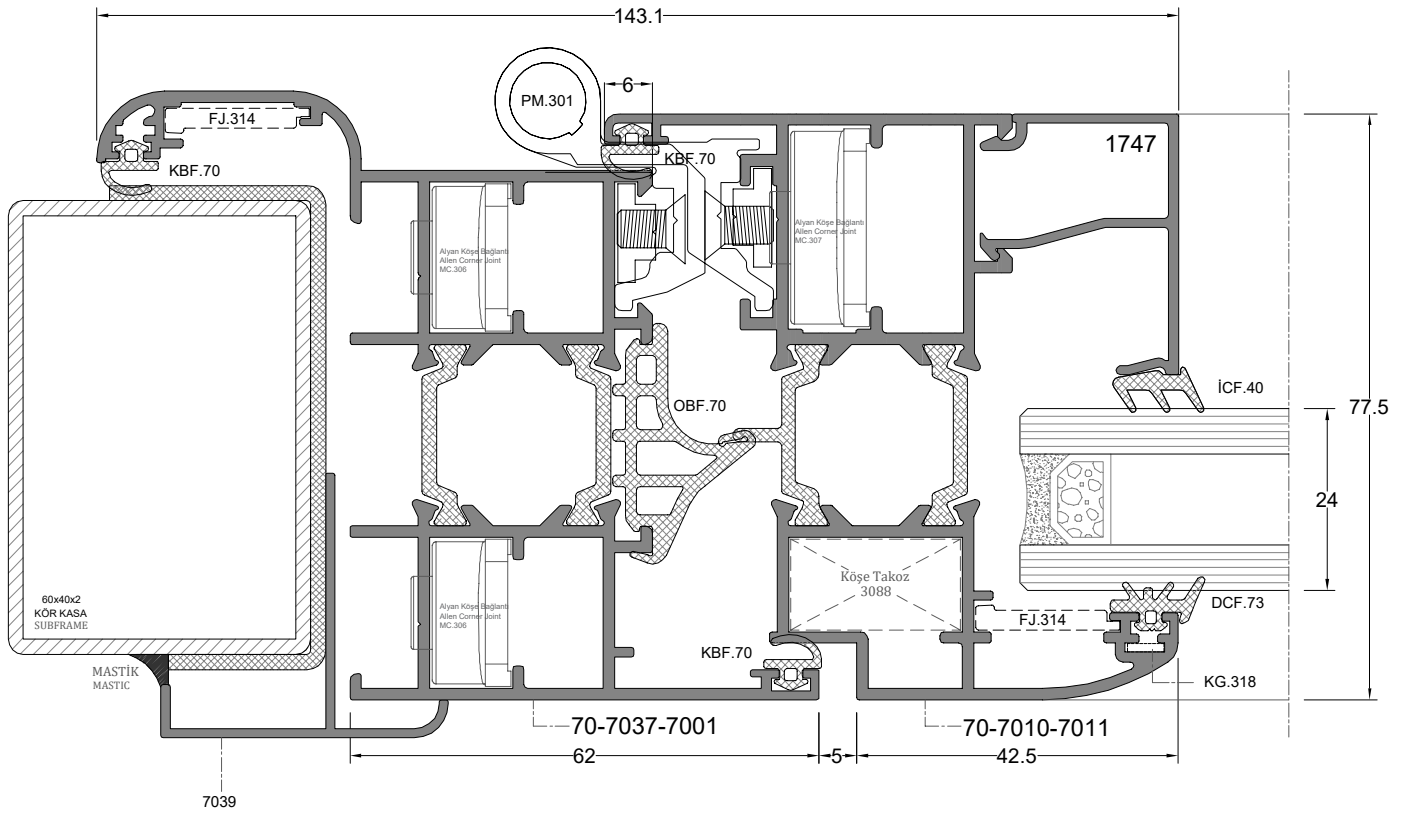


DIŞ
(OUTSIDE)

D-8

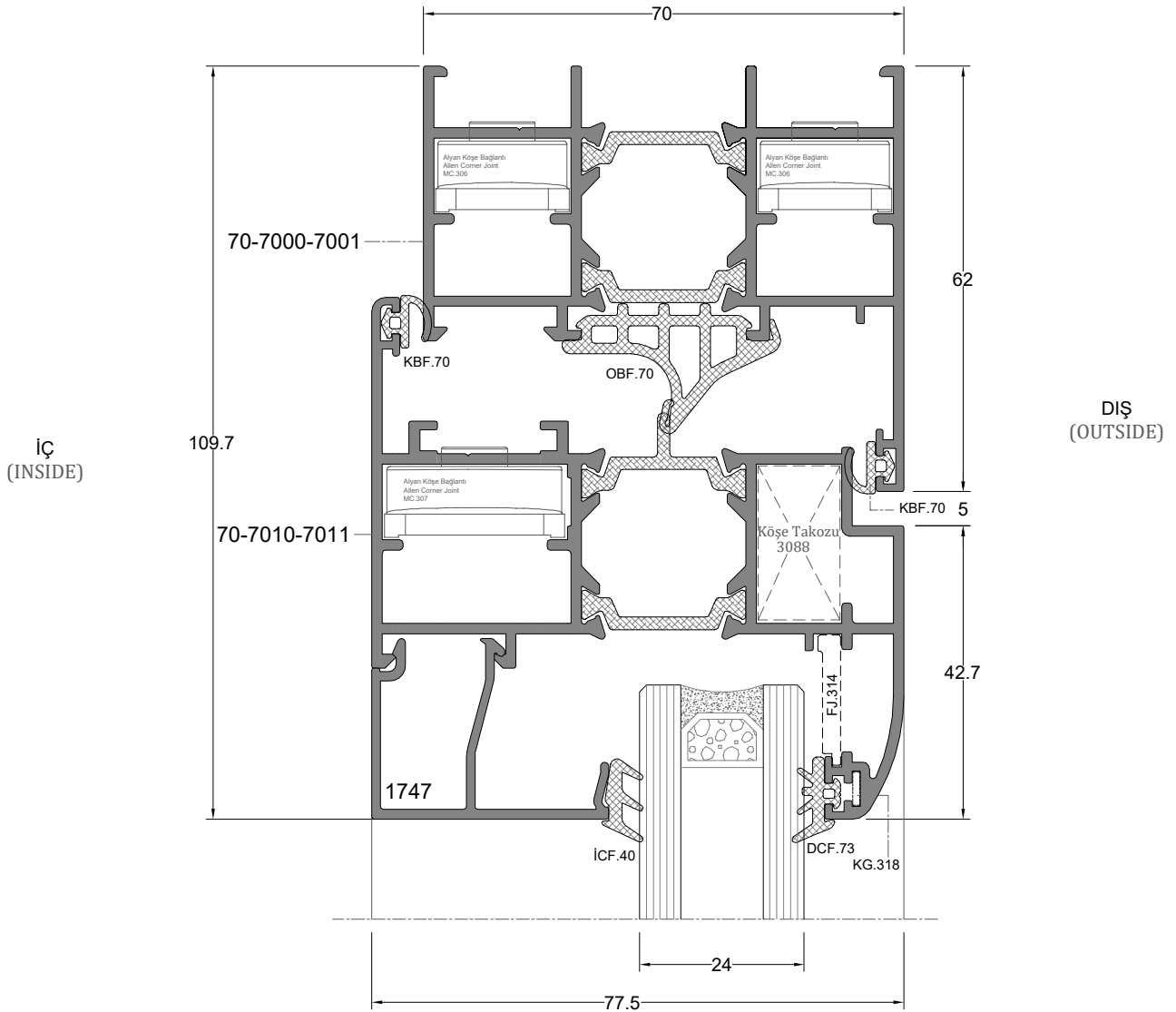
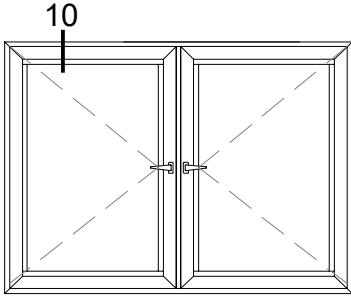


İÇ
(INSIDE)

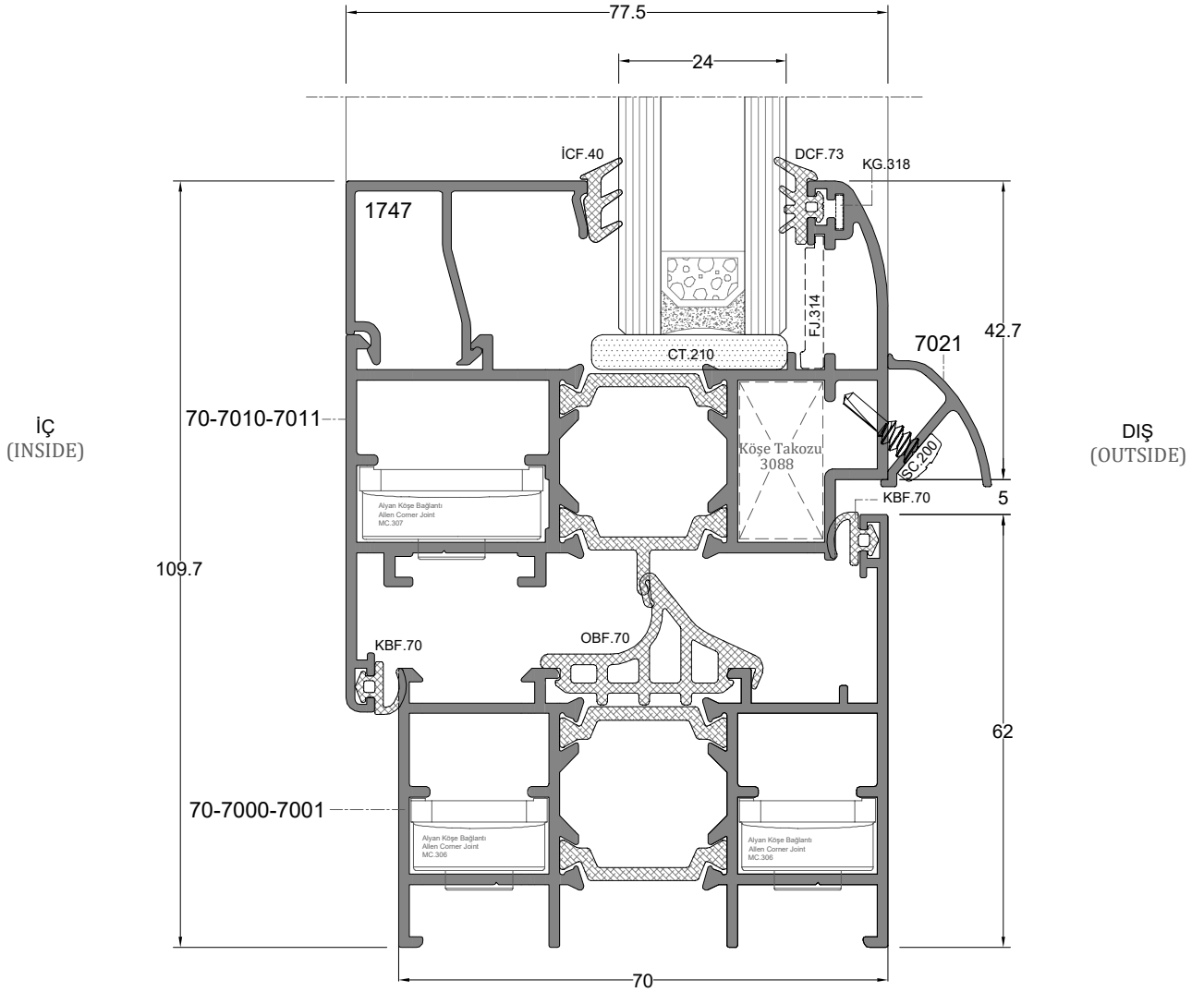
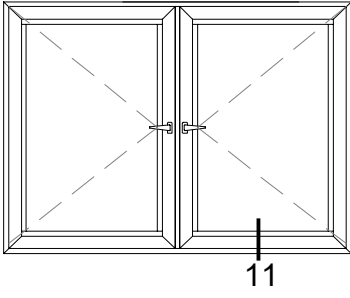


DIŞ
(OUTSIDE)

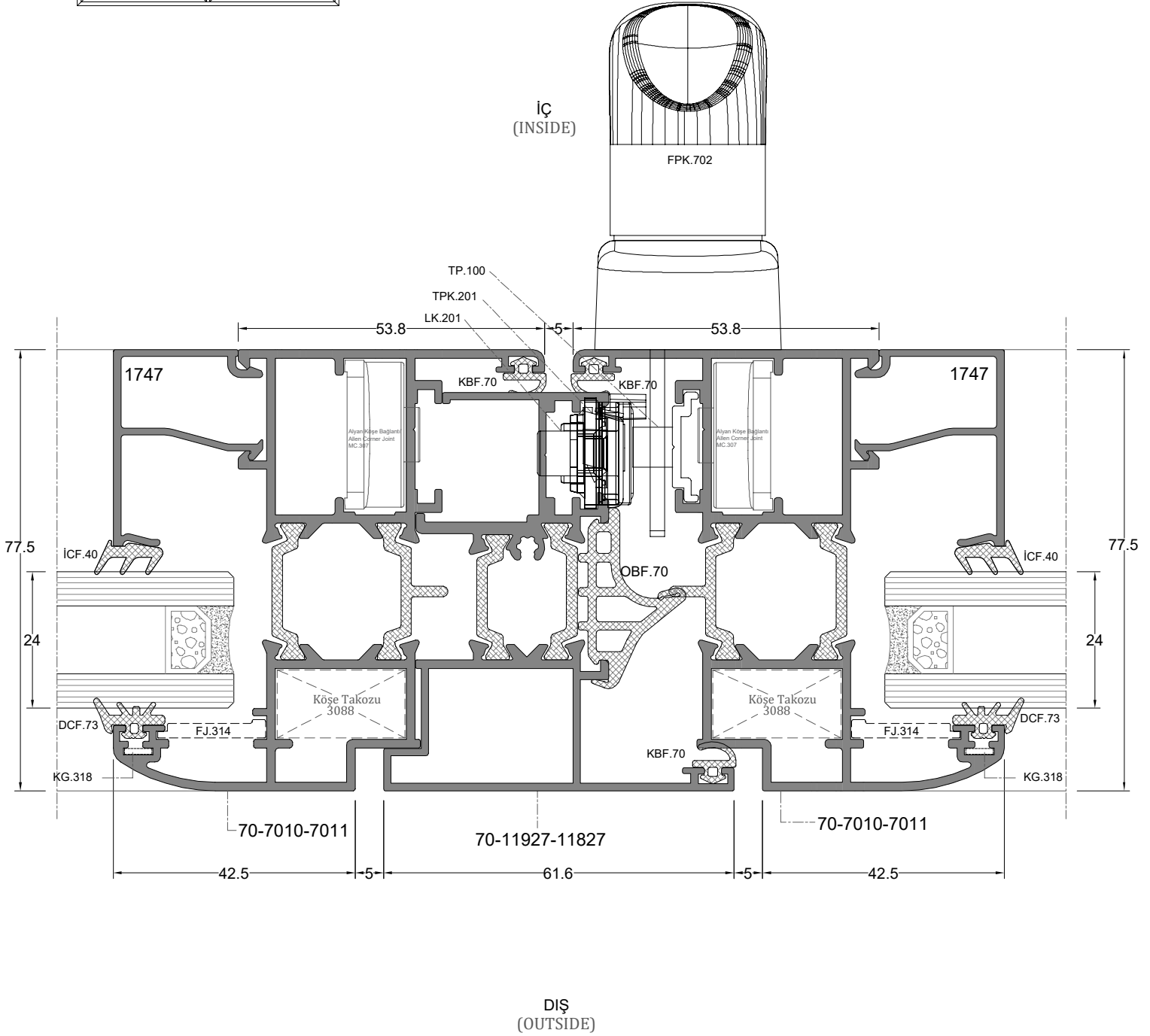
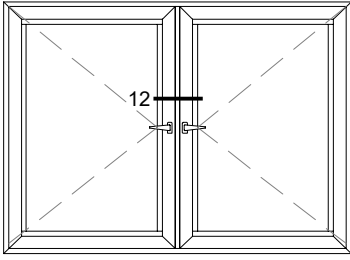
D-9



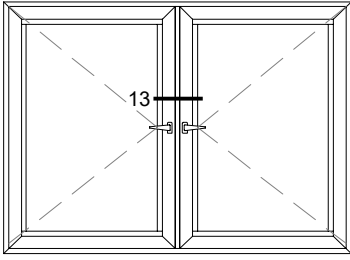
D-10



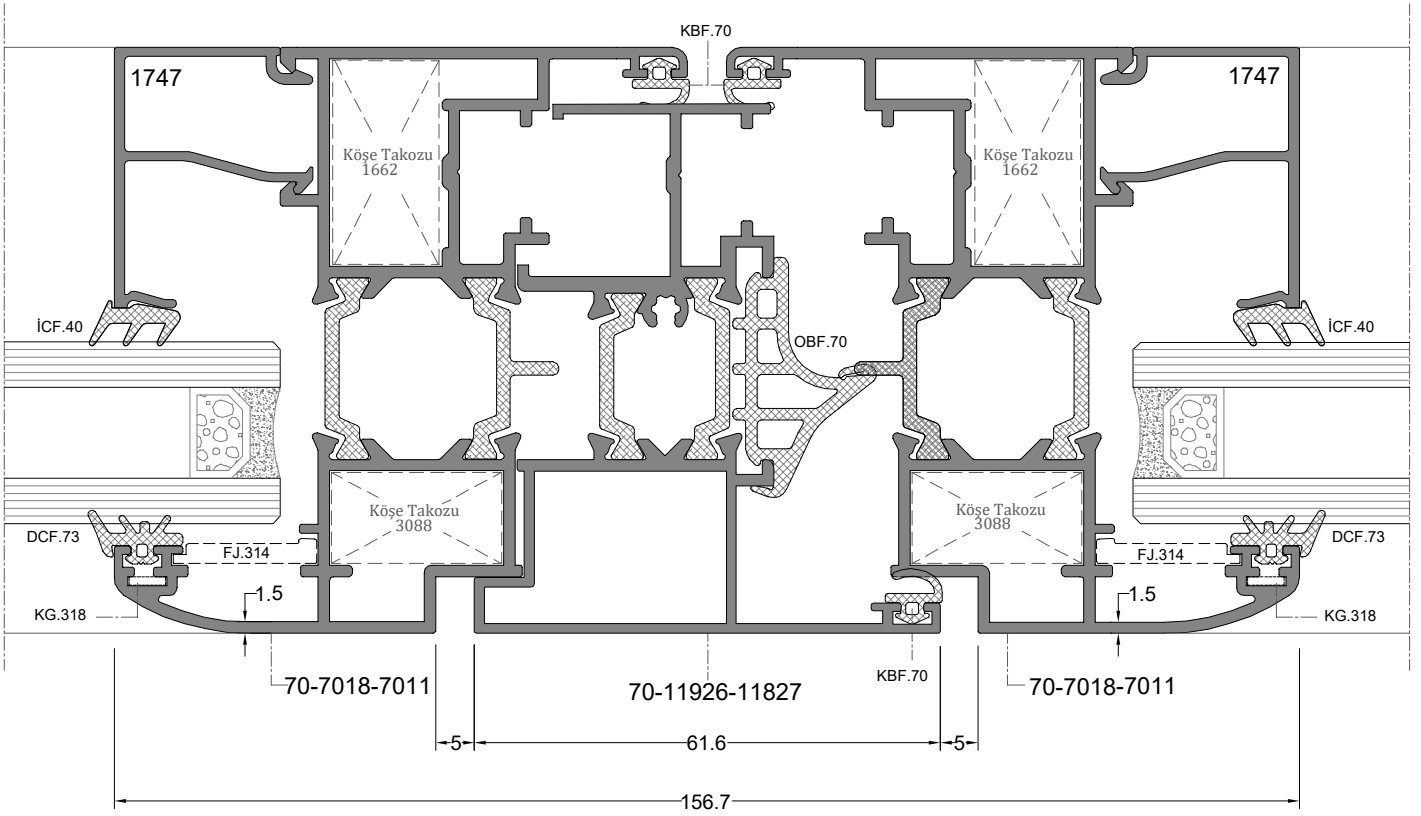
D-11



D-12

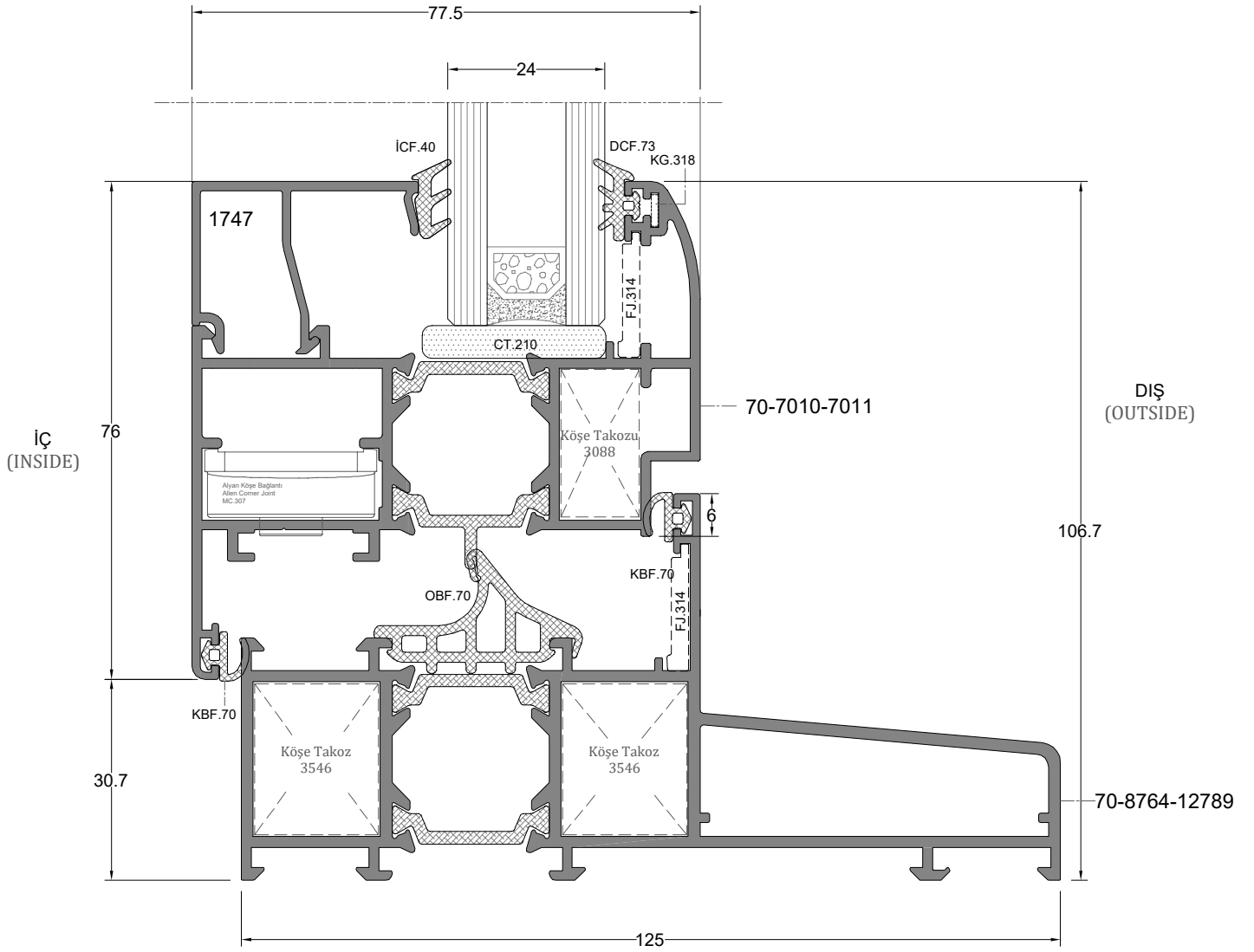
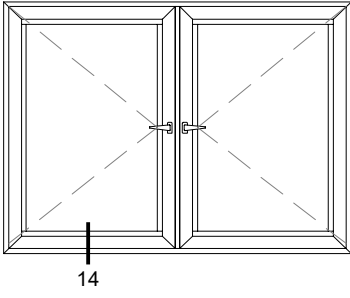


İÇ
(INSIDE)

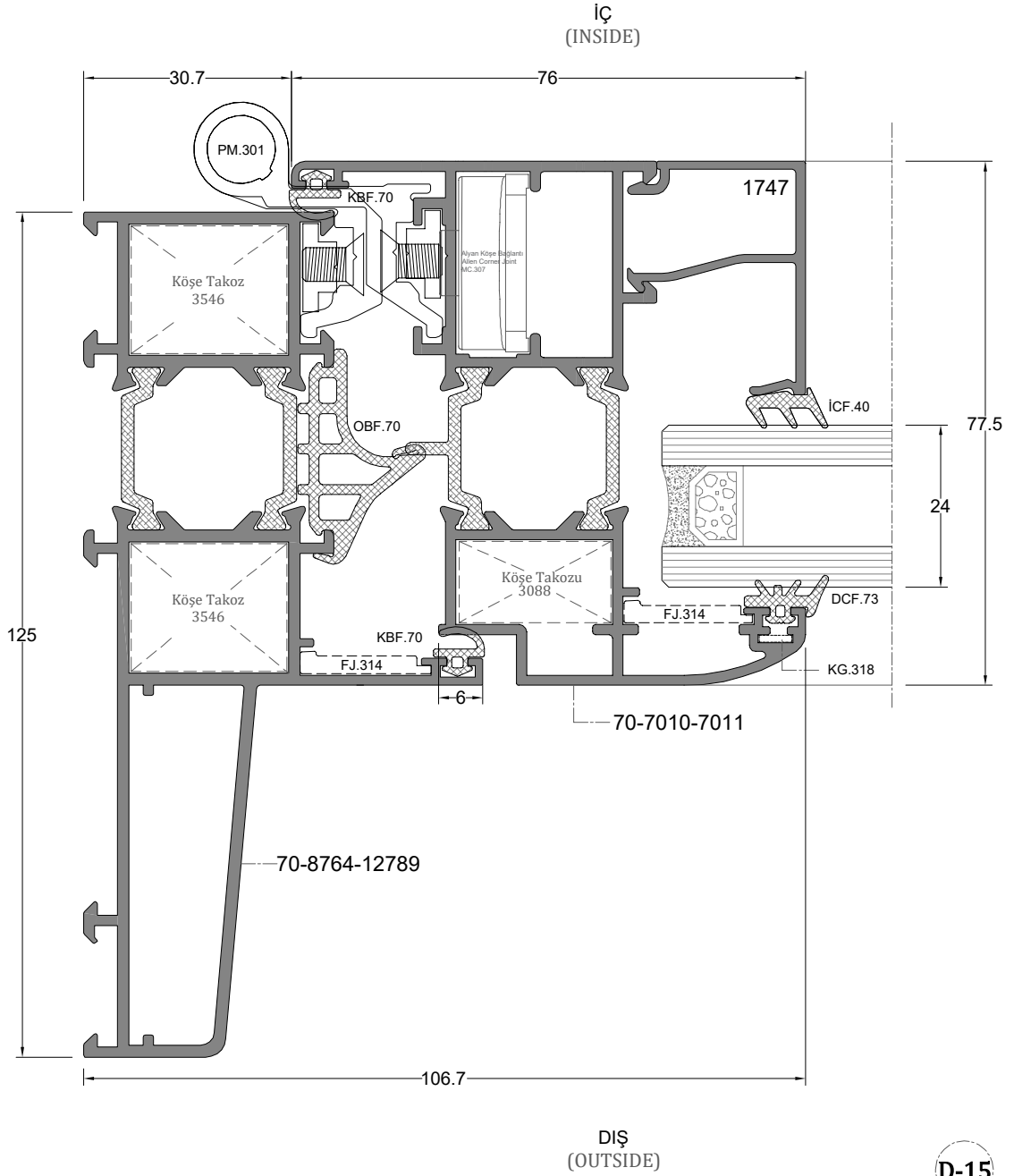
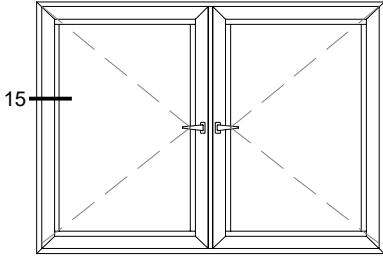


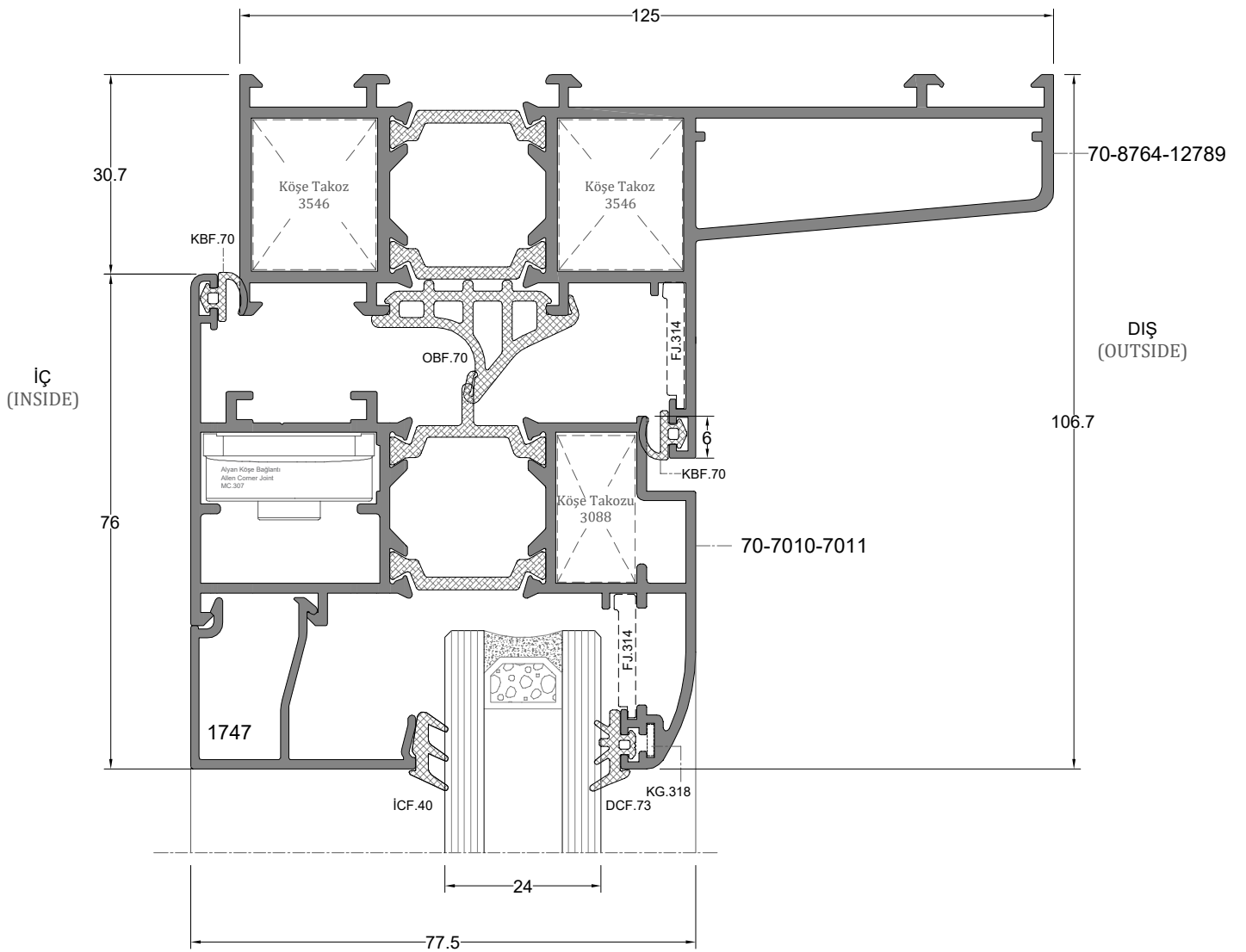
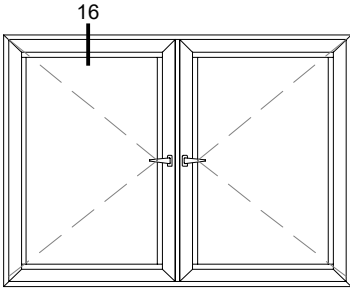
DIŞ
(OUTSIDE)

D-13

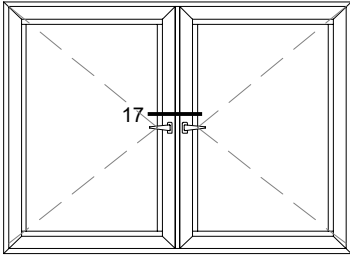


D-14

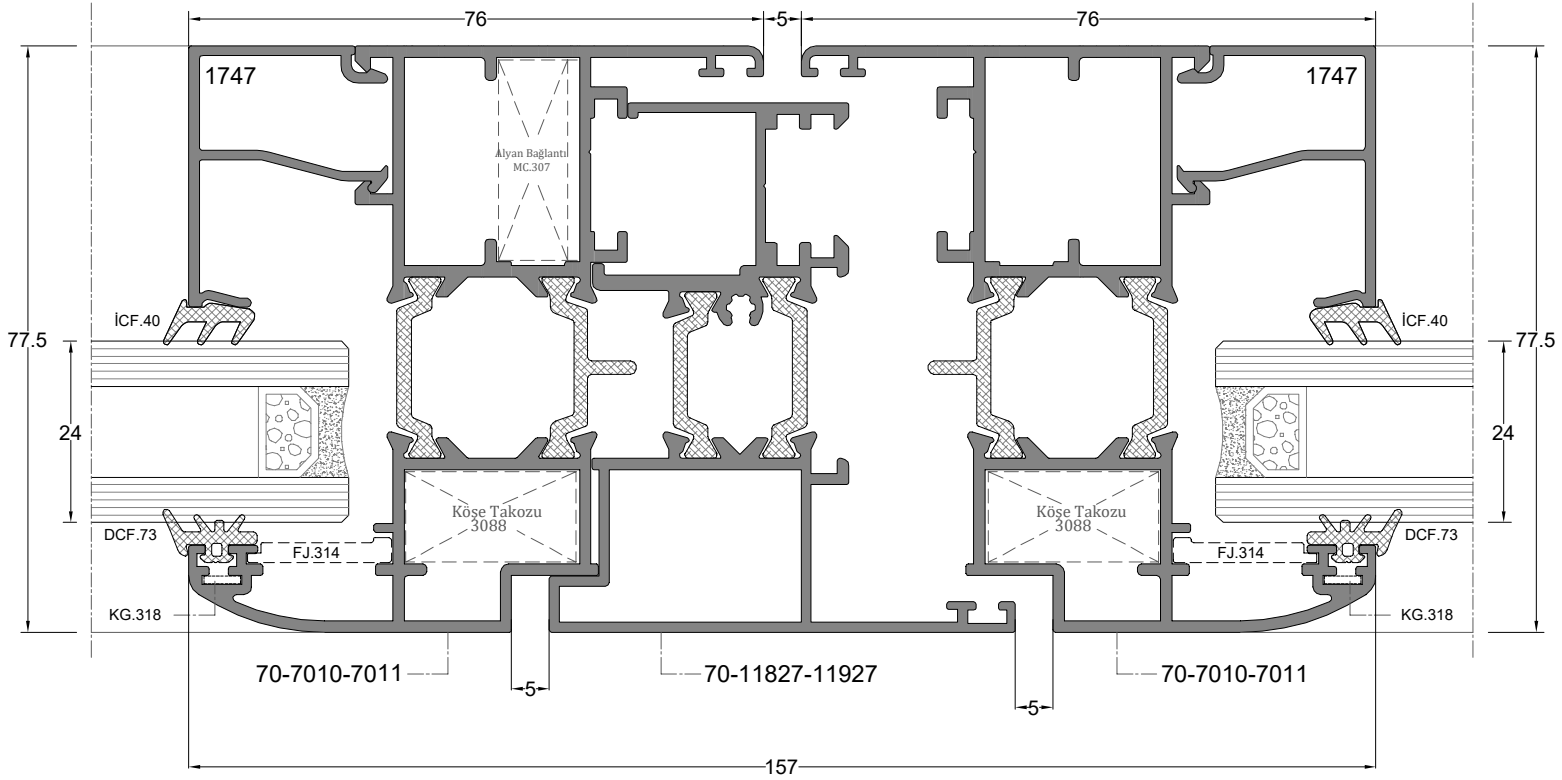




D-16

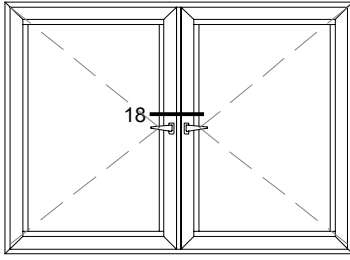


İÇ
(INSIDE)

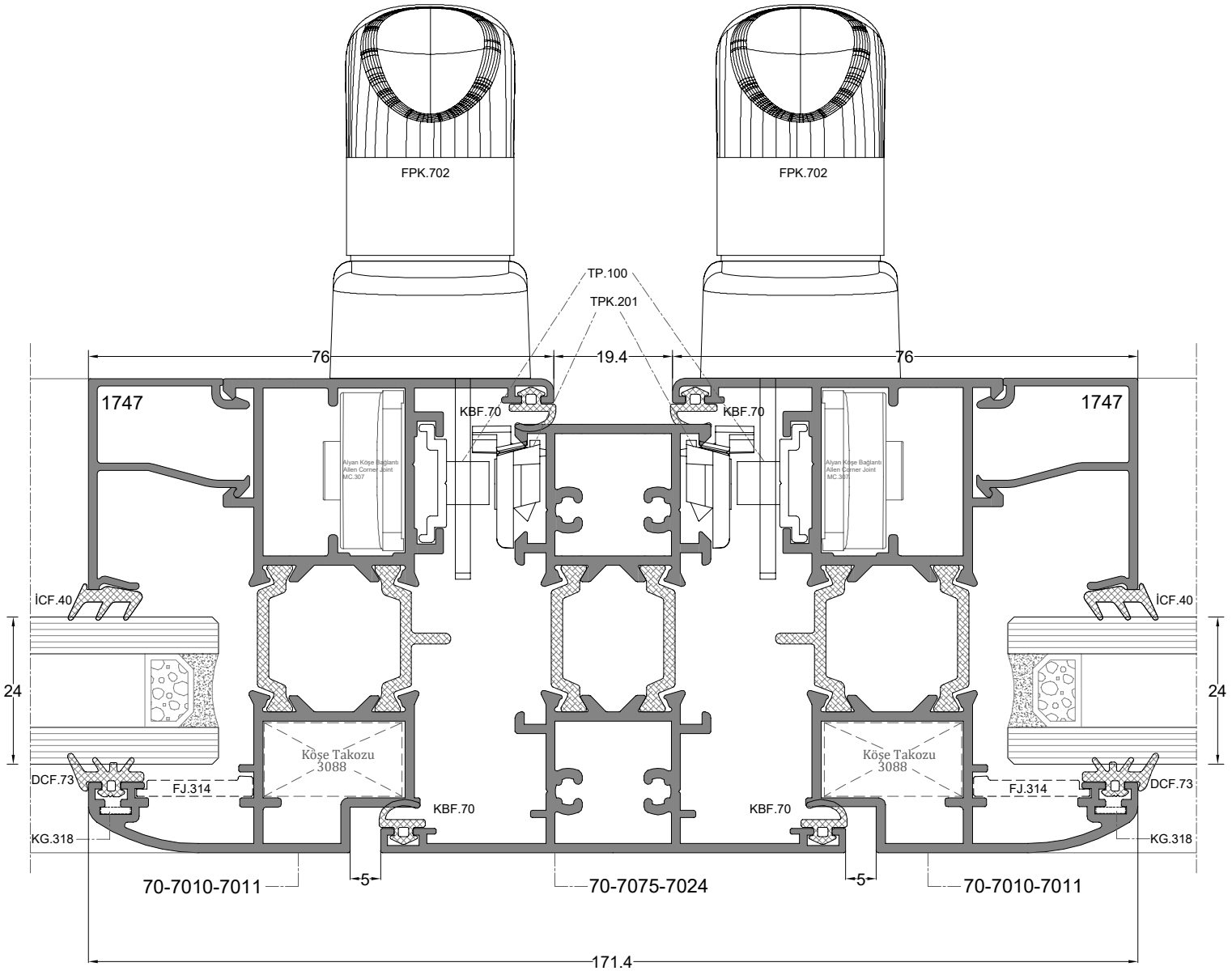


DIŞ
(OUTSIDE)

D-17

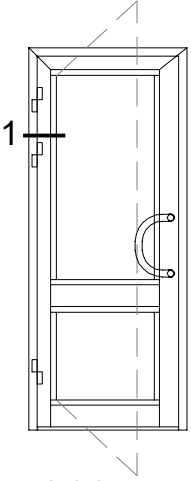


İÇ
(INSIDE)



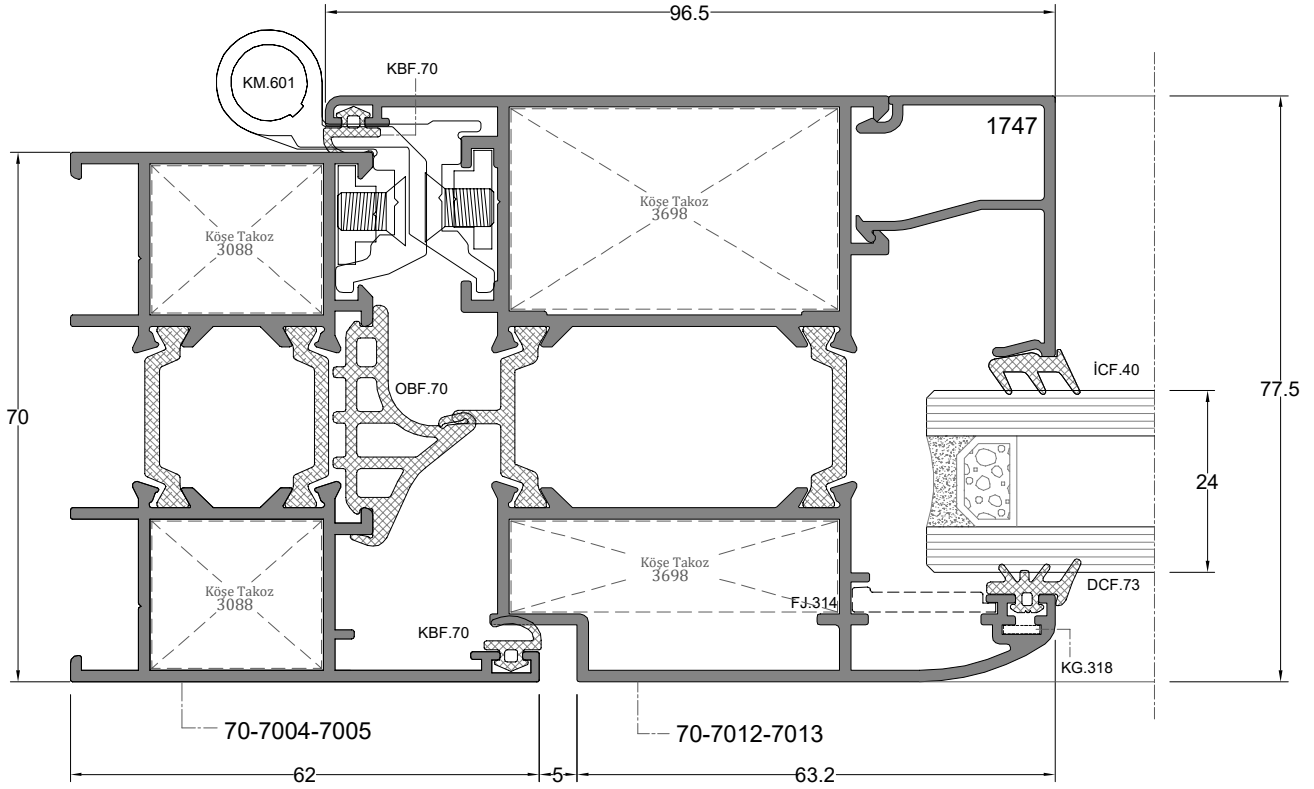
DİŞ
(OUTSIDE)

D-18



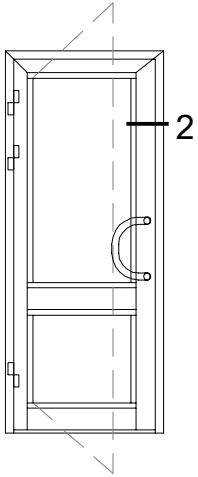
BİNİLİ KAPI DETAY
OVERLAPPING DOOR DETAIL

İÇ
(INSIDE)

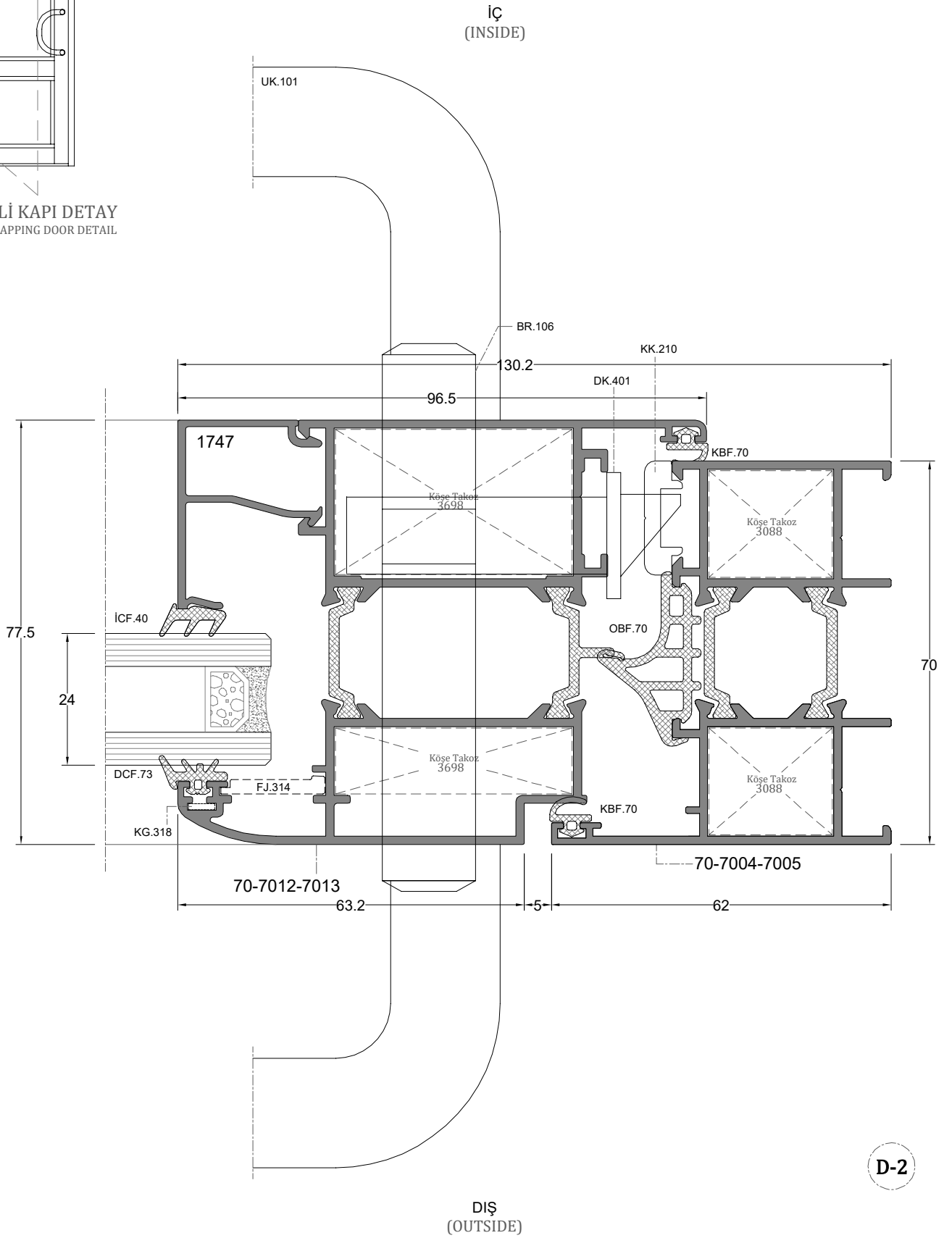


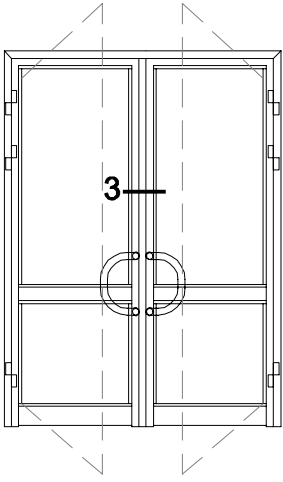
D-1

DIŞ
(OUTSIDE)



BİNİLİ KAPI DETAY
OVERLAPPING DOOR DETAIL

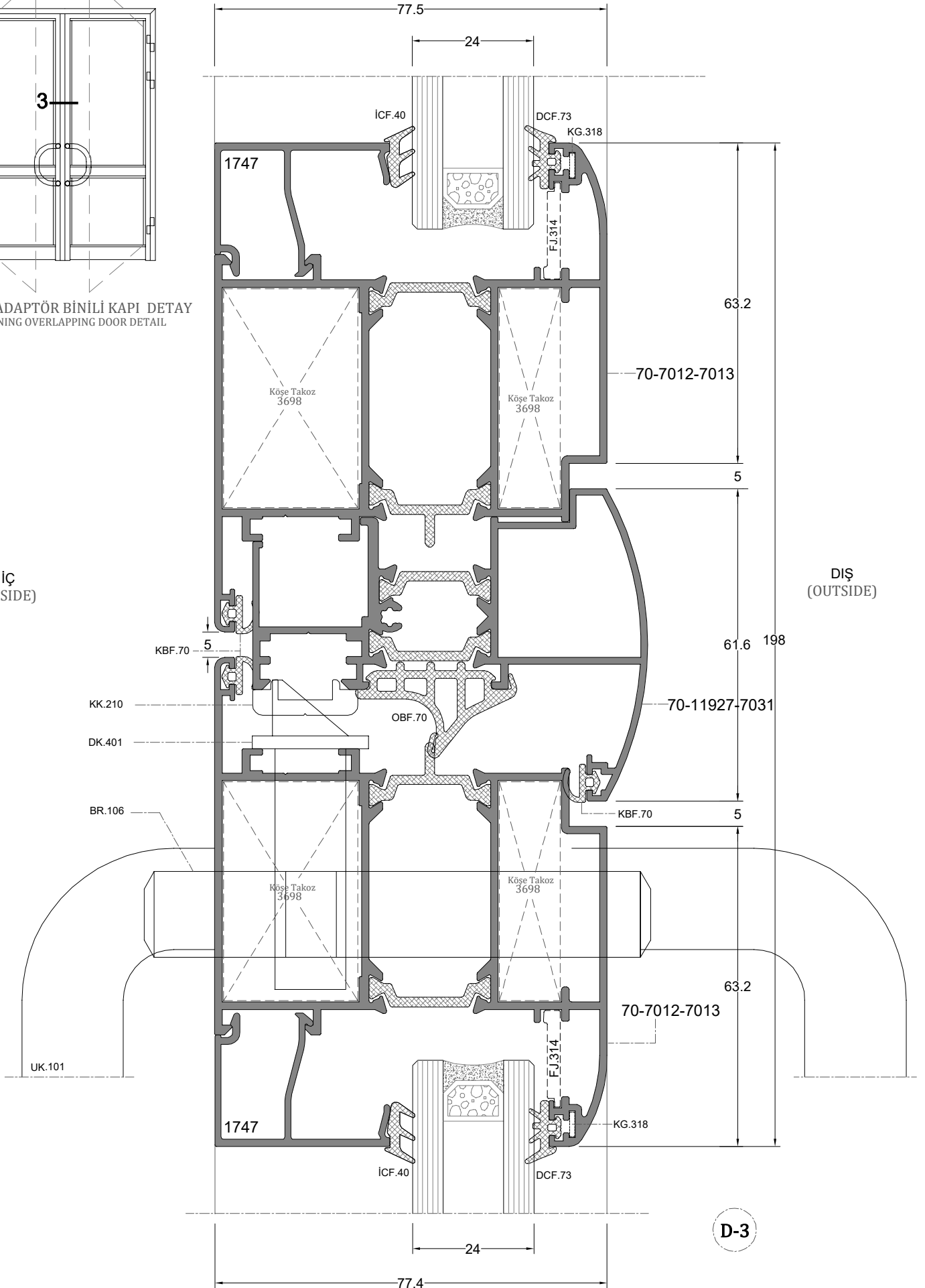


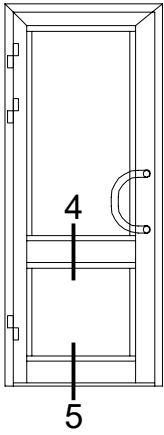


İÇE AÇILIR ADAPTÖR BİNİLİ KAPI DETAY
INWARD OPENING OVERLAPPING DOOR DETAIL

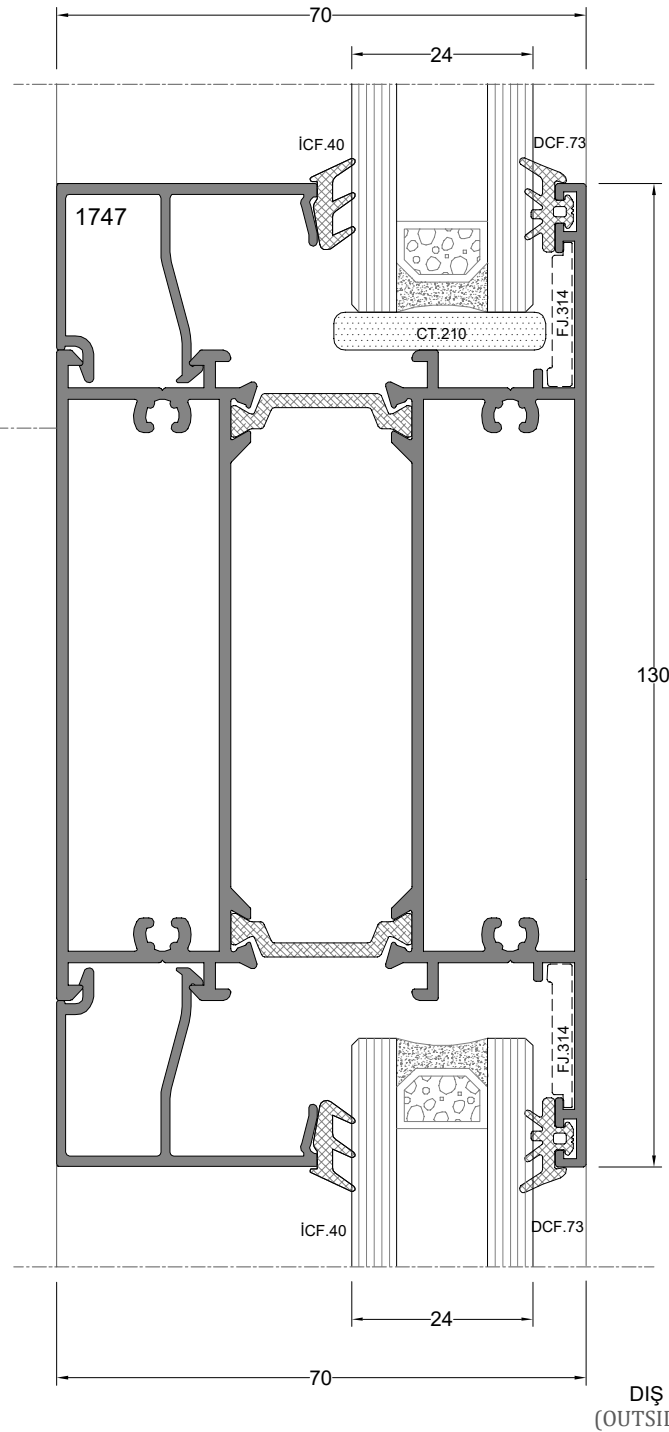
İÇ
(INSIDE)

DIŞ
(OUTSIDE)

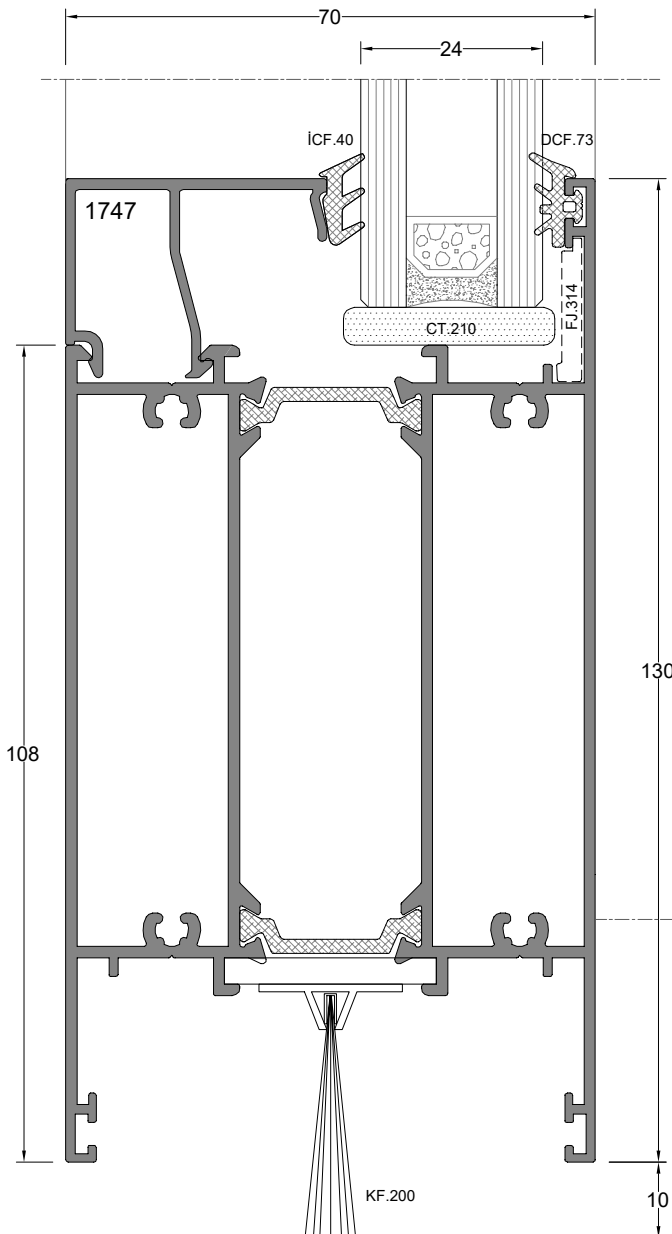




İÇ
(INSIDE)



İÇ
(INSIDE)



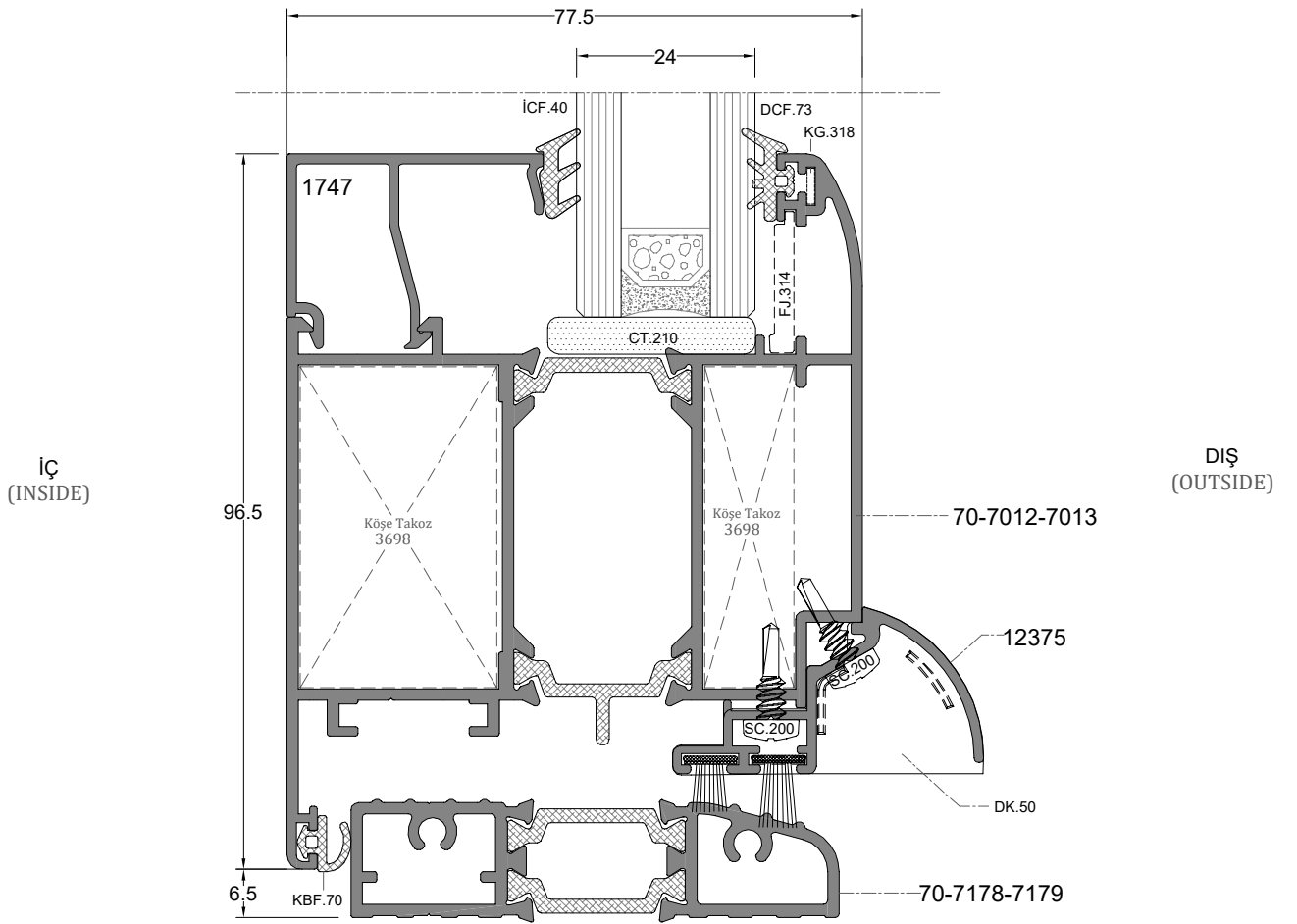
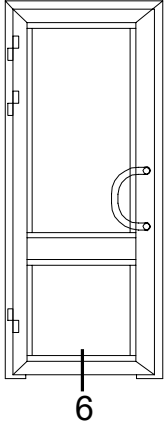
70-7030-7028

DIŞ
(OUTSIDE)

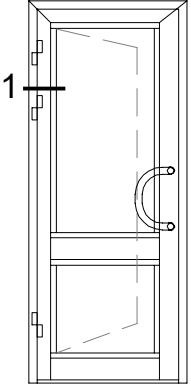
DIŞ
(OUTSIDE)

D-4

D-5

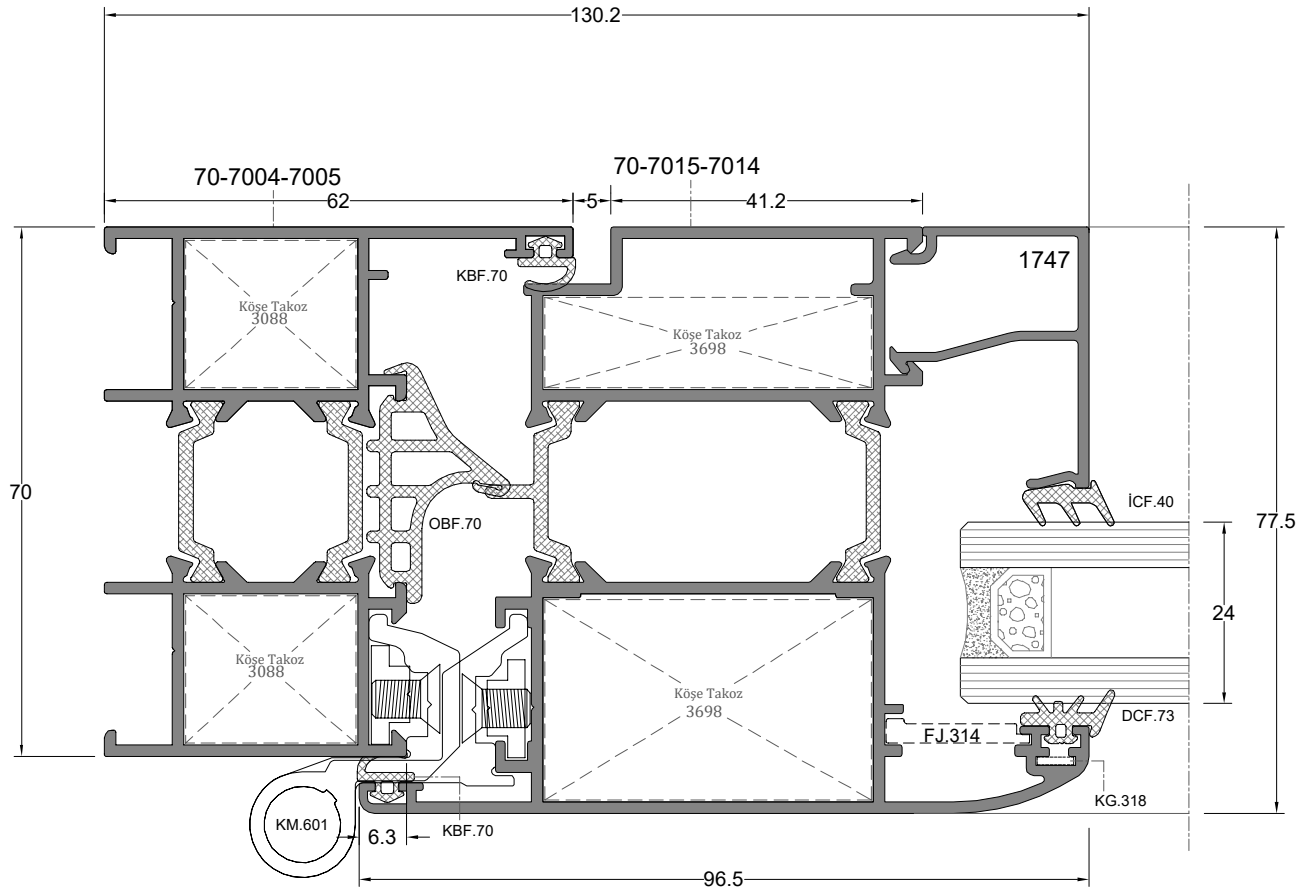


D-6



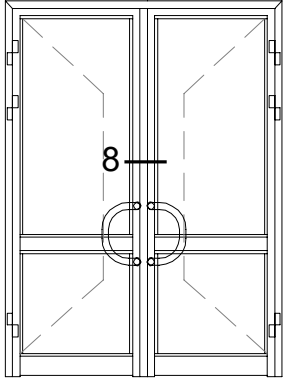
BİNİLİ KAPI DETAY
OVERLAPPING DOOR DETAIL

İÇ
(INSIDE)

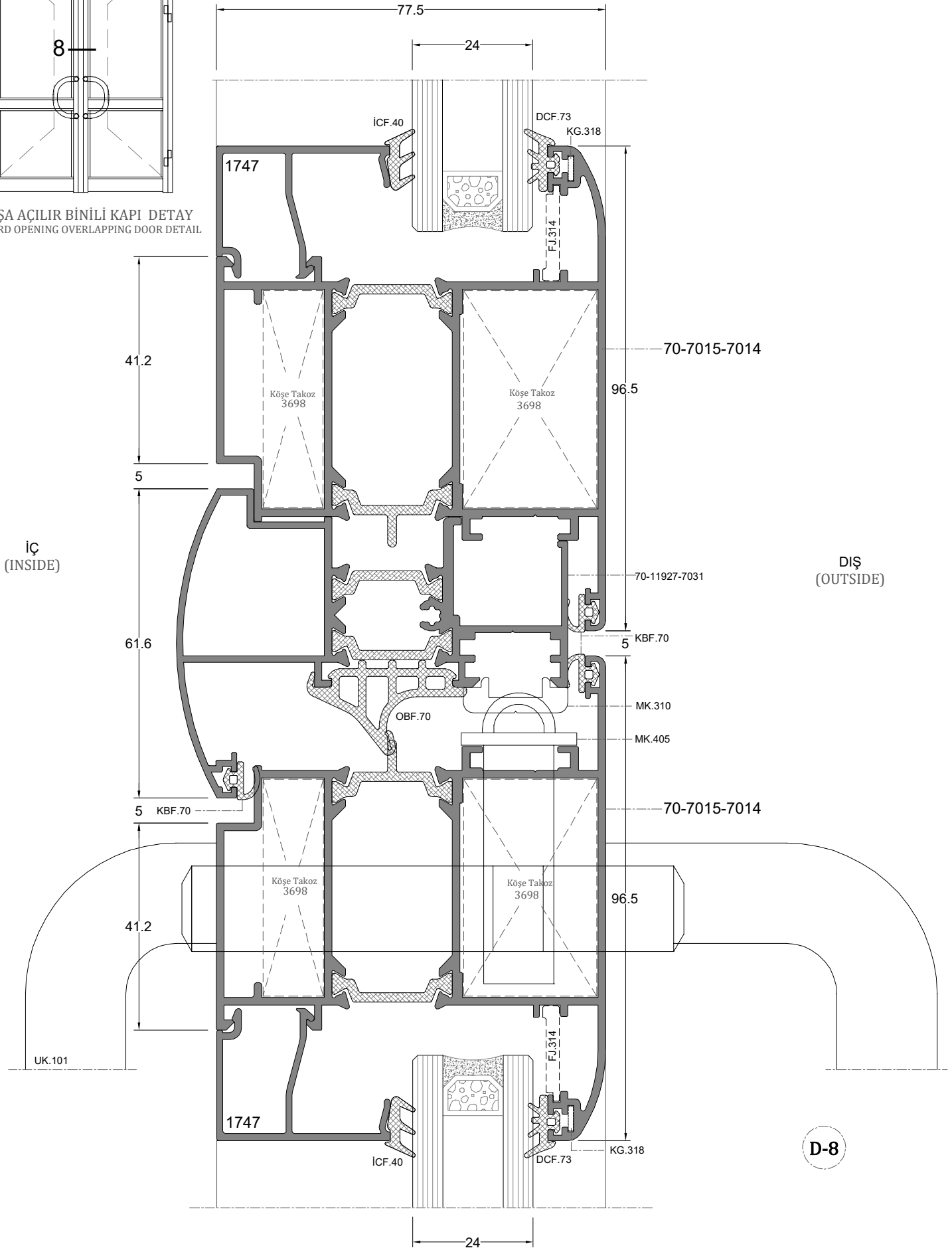


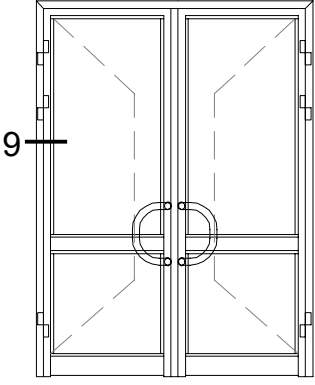
DIŞ
(OUTSIDE)

D-7



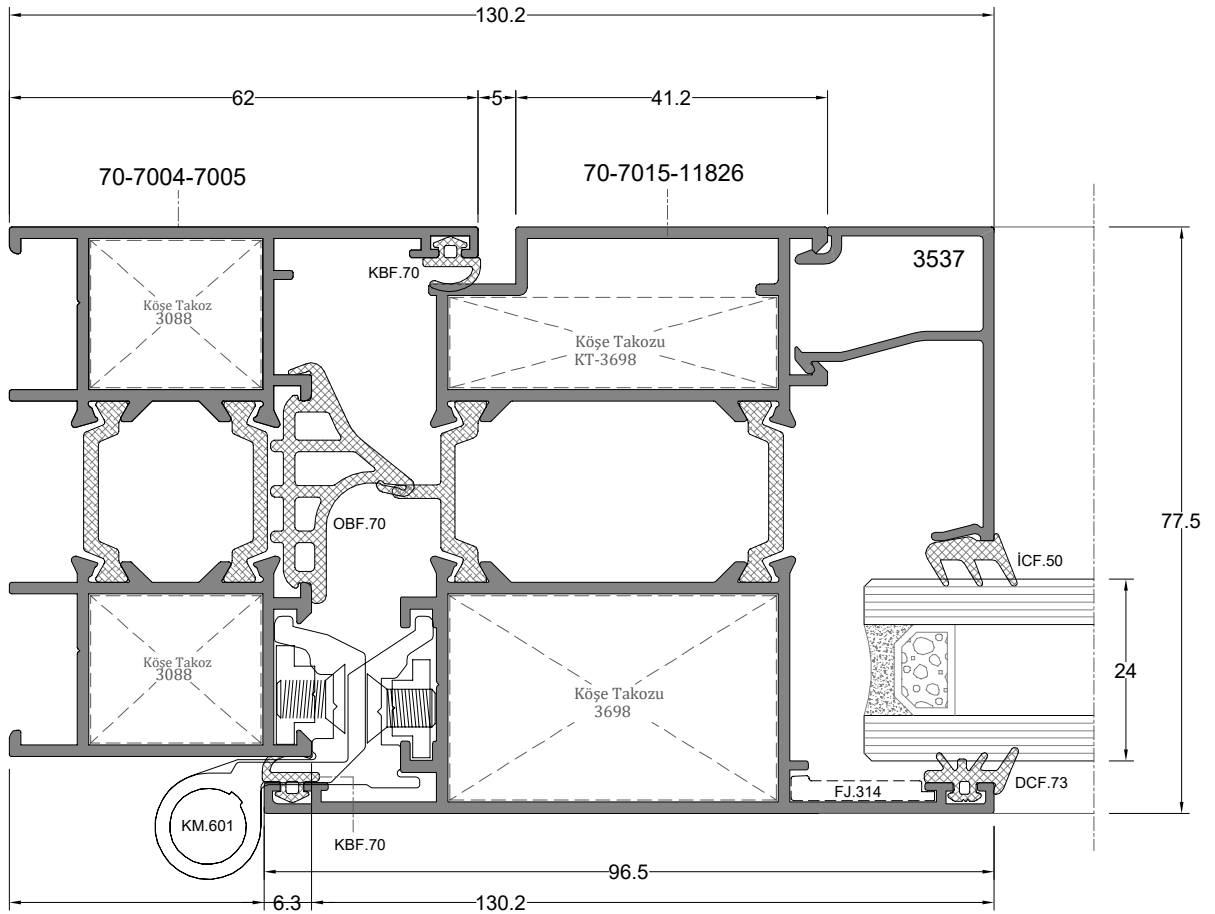
DİŞA AÇILIR BİNİLİ KAPI DETAY
OUTWARD OPENING OVERLAPPING DOOR DETAIL





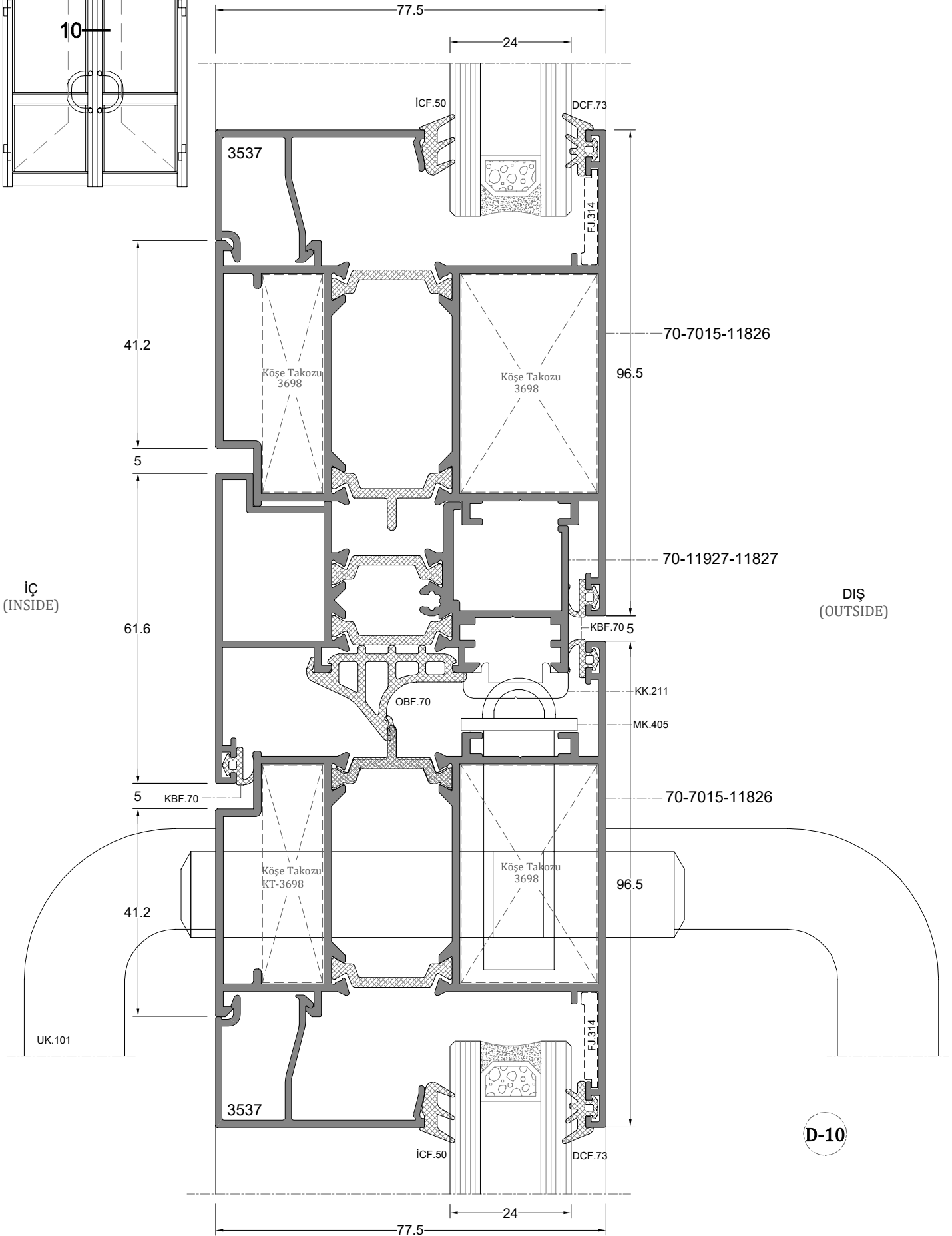
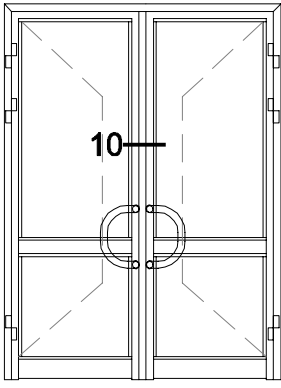
DIŞA AÇILIR BİNİLİ KAPI DETAY
OUTWARD OPENING OVERLAPPING DOOR DETAIL

İÇ
(INSIDE)

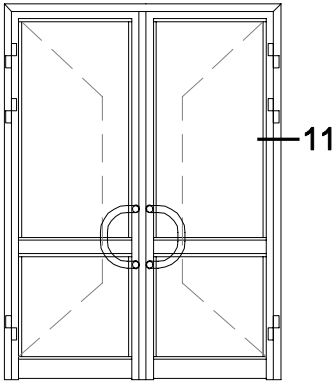


D-9

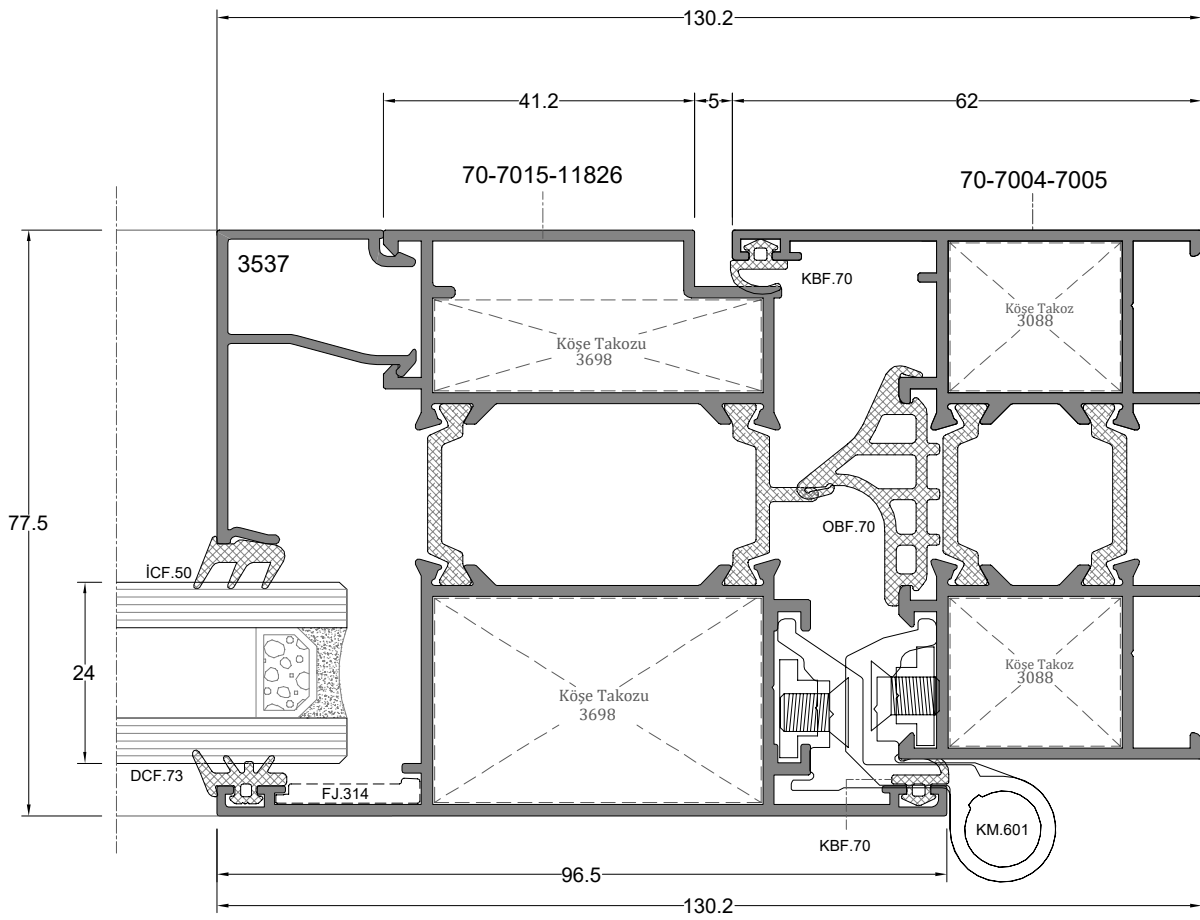
DIŞ
(OUTSIDE)



D-10

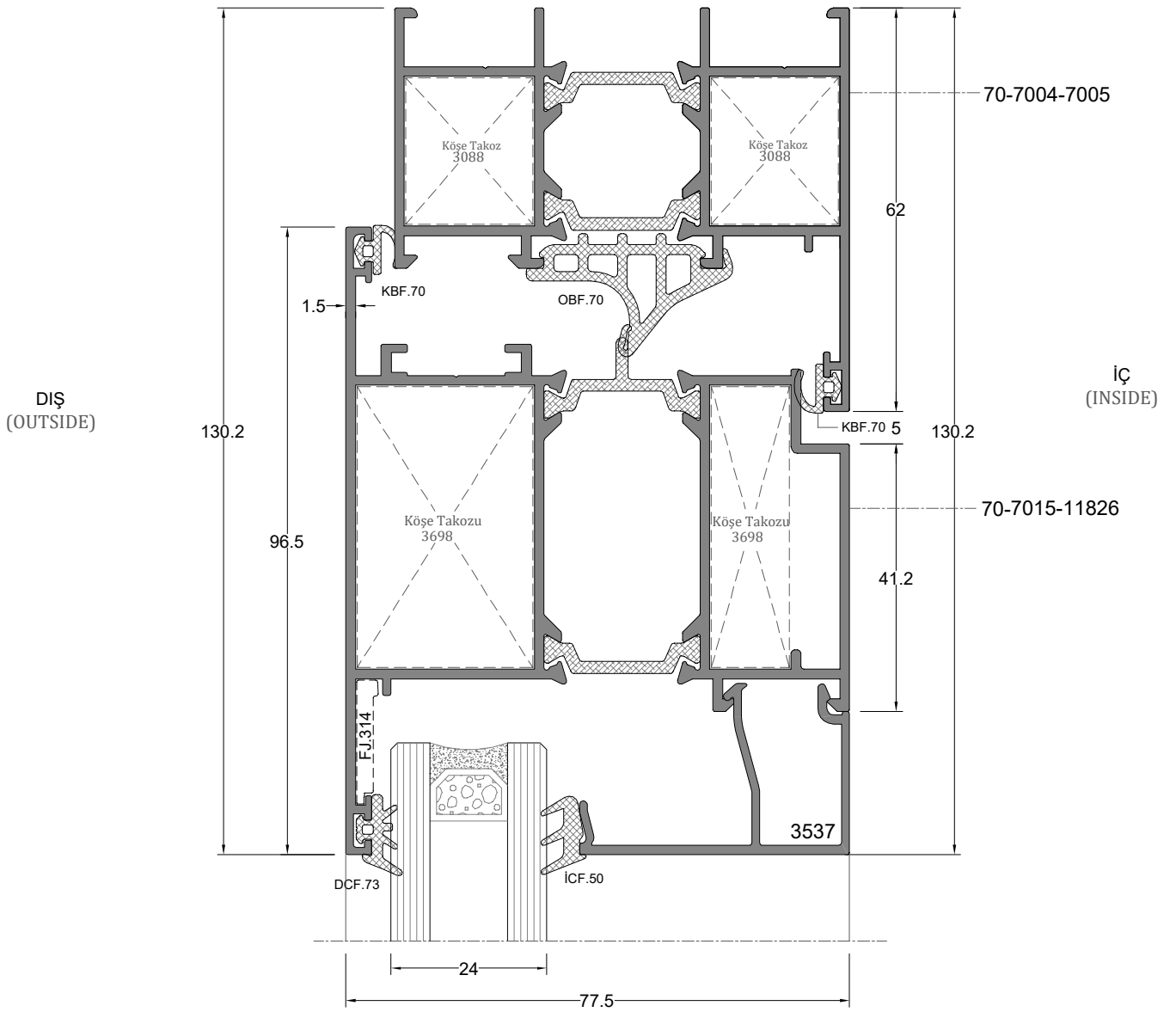
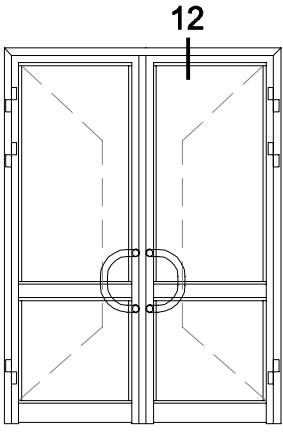


İÇ
(INSIDE)



DIŞ
(OUTSIDE)

D-11



D-12